

CLR Select

6" and 8" Commercial Recessed LED Downlight

Product Description

Designed for both new construction and retrofit applications, the CLR Select series can be installed directly into drywall, a ceiling grid or an existing 6" or 8" mounting frame using spring loaded retention tabs. The CCT and output selectable design allows for easy adjustment to 3000, 3500, 4000, or 5000K and standard or high output. With accessory trims in nickel, oil-rubbed bronze and black, and offering a full range of dimming from 0-10 volts, the CLR Select is adaptable to most any environment. The versatility of this light source is perfect for commercial applications, such as educational, governmental, retail and grocery, office or hospitality lighting.

Construction

- Cast aluminum flange and heat sink
- Plastic driver housing
- Output and CCT selection switches on back of housing
- Certified for direct contact with insulation
- Meets ASTM E283 airtight requirements

Optical System

- Precision engineered polystyrene diffuser provides high uniformity, and reduced glare
- No visible diodes, hot-spots, or shadows

Electrical

- Wide range input voltage of 120 - 347 VAC
- Full-range dimming via 0-10VDC controls
- TM-21 Reported L70(9k) life >56,000 hours
- LM-79, LM-80 testing performed in accordance with IESNA standards
- Meets FCC 15 PartB: 2016 Class A requirements

Finish

- Matte white powder coat
- Color faceplate available (varies depending on size)

Mounting and Installation

- Adjustable, spring loaded retention tabs ensure secure fixture retention on ceilings up to 1 1/2" thick
- 2' whip with 18" of FMC
- Easy installation into most 6" or 8" incandescent or fluorescent frames
- Frame not needed for new construction installation
- Metal rough-in templates or frames available
- NON-IC Operating temperature of 0° to 104°F (-18°C to 40°C)¹
- IC Operating temperature of 0° to 77°F (-18° to 25°C)¹
- Suitable for wet locations
- For installations where power surge may be possible, NICOR recommends installing additional surge protection at the fixture or electrical distribution panel

Warranty

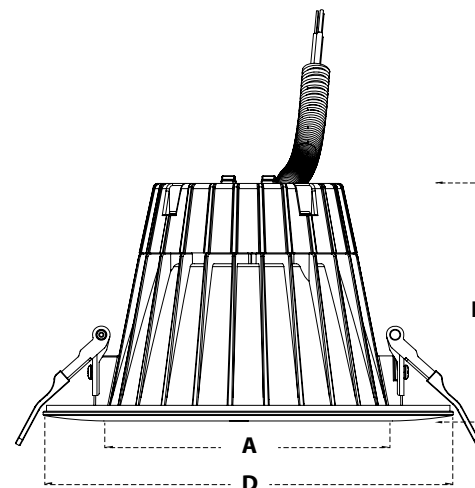
- 5-year limited system warranty standard
- Warranty does not cover product failure due to an overvoltage event (power surge)

Project

Catalog

Type

Date



| Model | Diameter | Height | Aperture Ø |
|-------|---------------|---------------|---------------|
| CLR6 | 7.4in (188mm) | 4.5in (114mm) | 5.2in (132mm) |
| CLR8S | 9.5in (240mm) | 5.2in (132mm) | 7.5in (191mm) |
| CLR8H | 9.5in (240mm) | 5.6in (143mm) | 7.5in (191mm) |

Representative image. Exact models vary.

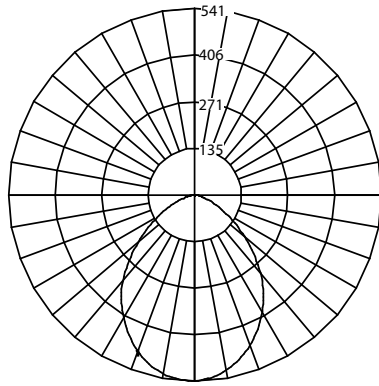


1 - Except CLR8HO

Photometric Data

CLR6S 3000K 1500 lumen

| | |
|-----------------------------|----------|
| Input Voltage (VAC) | 120-347V |
| System Level Power (W) | 16.9 |
| Delivered Lumens (Lm) | 1552 |
| System Efficacy (Lm/W) | 91.6 |
| Correlated Color Temp (K) | 3026 |
| Color Rendering Index (CRI) | 92.7 |
| Beam Angle | 87.3 |
| Spacing Criteria | 1.12 |



Intensity Summary (Candle Power)

| Angle | Mean CP |
|-------|---------|
| 0 | 792 |
| 5 | 784 |
| 15 | 731 |
| 25 | 637 |
| 35 | 517 |
| 45 | 361 |
| 55 | 213 |
| 65 | 99 |
| 75 | 31 |
| 85 | 8 |
| 90 | 0 |

CCT & Output Data Multiplier

| | 1000lm | 1500lm |
|-------|--------|--------|
| 3000K | 0.682 | 1.000 |
| 3500K | 0.689 | 1.011 |
| 4000K | 0.697 | 1.023 |
| 5000K | 0.685 | 1.005 |

Cone of Light Tabulation

| Mounted height (Inches) | Footcandles Beam Center | Diameter (Feet) |
|-------------------------|-------------------------|-----------------|
| 4 | 49.5 | 7.6 |
| 6 | 22.0 | 11.4 |
| 8 | 12.3 | 15.3 |
| 10 | 7.9 | 19.1 |
| 12 | 5.5 | 22.9 |
| 14 | 4.0 | 26.7 |
| 16 | 3.0 | 30.5 |

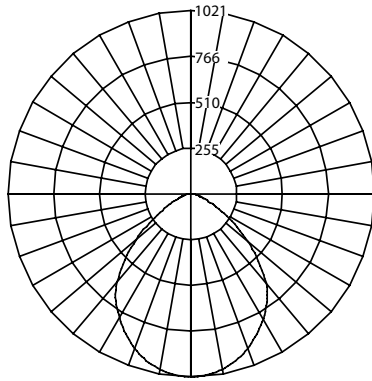
Zonal Lumen Summary

| Zone | Lumens | % of Luminaire |
|--------|--------|----------------|
| 0-30 | 579 | 37.3% |
| 0-40 | 908 | 58.5% |
| 0-60 | 1397 | 90% |
| 0-90 | 1552 | 100% |
| 90-180 | 0 | 0% |
| 0-180 | 1552 | 100% |

Data Multiplier applies to Lumens, Candle Power, Cone of Light, and Zonal Lumen Summary. See Performance Table for Lm, Watts and LPW values.

CLR8S 3000K 2000 lumen

| | |
|-----------------------------|----------|
| Input Voltage (VAC) | 120-347V |
| System Level Power (W) | 22.6 |
| Delivered Lumens (Lm) | 2078 |
| System Efficacy (Lm/W) | 91.8 |
| Correlated Color Temp (K) | 3066 |
| Color Rendering Index (CRI) | 92.6 |
| Beam Angle | 91.5 |
| Spacing Criteria | 1.18 |



Intensity Summary (Candle Power)

| Angle | Mean CP |
|-------|---------|
| 0 | 1020 |
| 5 | 1013 |
| 15 | 961 |
| 25 | 859 |
| 35 | 726 |
| 45 | 519 |
| 55 | 283 |
| 65 | 112 |
| 75 | 47 |
| 85 | 11 |
| 90 | 0 |

CCT & Output Data Multiplier

| | 1500lm | 2000lm |
|-------|--------|--------|
| 3000K | 0.769 | 1.000 |
| 3500K | 0.775 | 1.007 |
| 4000K | 0.782 | 1.016 |
| 5000K | 0.771 | 1.002 |

Cone of Light Tabulation

| Mounted height (Inches) | Footcandles Beam Center | Diameter (Feet) |
|-------------------------|-------------------------|-----------------|
| 4 | 63.7 | 8.2 |
| 6 | 28.3 | 12.3 |
| 8 | 15.9 | 16.4 |
| 10 | 10.2 | 20.5 |
| 12 | 7.0 | 24.6 |
| 14 | 5.2 | 28.7 |
| 16 | 3.9 | 32.8 |

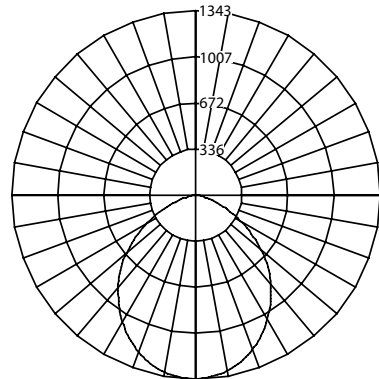
Zonal Lumen Summary

| Zone | Lumens | % of Luminaire |
|--------|--------|----------------|
| 0-30 | 766 | 36.8% |
| 0-40 | 1223 | 58.9% |
| 0-60 | 1893 | 91.1% |
| 0-90 | 2078 | 100% |
| 90-180 | 0 | 0% |
| 0-180 | 2078 | 100% |

Data Multiplier applies to Lumens, Candle Power, Cone of Light, and Zonal Lumen Summary. See Performance Table for Lm, Watts and LPW values.

CLR8H 3000K 2000 lumen

| | |
|-----------------------------|----------|
| Input Voltage (VAC) | 120-347V |
| System Level Power (W) | 30.1 |
| Delivered Lumens (Lm) | 3037 |
| System Efficacy (Lm/W) | 100.9 |
| Correlated Color Temp (K) | 3042 |
| Color Rendering Index (CRI) | 94.5 |
| Beam Angle | 97.5 |
| Spacing Criteria | 1.18 |



Intensity Summary (Candle Power)

| Angle | Mean CP |
|-------|---------|
| 0 | 1343 |
| 5 | 1331 |
| 15 | 1259 |
| 25 | 1128 |
| 35 | 949 |
| 45 | 742 |
| 55 | 496 |
| 65 | 260 |
| 75 | 76 |
| 85 | 16 |
| 90 | 0 |

CCT & Output Data Multiplier

| | 2000lm | 3000lm |
|-------|--------|--------|
| 3000K | 0.676 | 1.000 |
| 3500K | 0.710 | 1.049 |
| 4000K | 0.721 | 1.066 |
| 5000K | 0.709 | 1.048 |

Cone of Light Tabulation

| Mounted height (Inches) | Footcandles Beam Center | Diameter (Feet) |
|-------------------------|-------------------------|-----------------|
| 4 | 83.8 | 9.1 |
| 6 | 37.2 | 13.7 |
| 8 | 20.9 | 18.2 |
| 10 | 13.4 | 22.8 |
| 12 | 9.2 | 27.4 |
| 14 | 6.8 | 31.9 |
| 16 | 5.2 | 36.5 |

Zonal Lumen Summary

| Zone | Lumens | % of Luminaire |
|--------|--------|----------------|
| 0-30 | 1008 | 33.2% |
| 0-40 | 1611 | 53% |
| 0-60 | 2654 | 87.4% |
| 0-90 | 3037 | 100% |
| 90-180 | 0 | 0% |
| 0-180 | 3037 | 100% |

Data Multiplier applies to Lumens, Candle Power, Cone of Light, and Zonal Lumen Summary. See Performance Table for Lm, Watts and LPW values.

| Performance Data | | | | | |
|------------------|-------------|----------------|-------------------|----------------|-----------------|
| Model Number | Nominal CCT | Nominal Lumens | Light Output (lm) | Power Draw (W) | Efficacy (Lm/W) |
| CLR62SWRVS9WH | 3000 | 1000 | 1058 | 10.9 | 97.0 |
| | 3500 | | 1069 | 10.6 | 100.8 |
| | 4000 | | 1082 | 10.6 | 102.1 |
| | 5000 | | 1063 | 10.8 | 98.4 |
| | 3000 | | 1552 | 16.9 | 91.6 |
| CLR82SWRVS9WH | 3500 | 1500 | 1569 | 16.5 | 94.9 |
| | 4000 | | 1588 | 16.4 | 96.9 |
| | 5000 | | 1559 | 16.7 | 93.6 |
| | 3000 | | 1599 | 16.6 | 96.3 |
| | 3500 | | 1610 | 16.3 | 98.7 |
| CLR82HWRVS9WH | 4000 | 2000 | 1625 | 16.2 | 100.1 |
| | 5000 | | 1602 | 16.5 | 97.4 |
| | 3000 | | 2078 | 22.6 | 91.8 |
| | 3500 | | 2092 | 22.2 | 94.1 |
| | 4000 | | 2111 | 22.1 | 95.5 |
| CLR82HWRVS9WH | 5000 | 3000 | 2082 | 22.4 | 92.7 |
| | 3000 | | 2054 | 19.8 | 103.6 |
| | 3500 | | 2155 | 19.6 | 109.9 |
| | 4000 | | 2190 | 19.5 | 112.3 |
| | 5000 | | 2153 | 19.7 | 109.3 |
| CLR82HWRVS9WH | 3000 | 3000 | 3037 | 30.1 | 100.9 |
| | 3500 | | 3186 | 29.8 | 107.0 |
| | 4000 | | 3239 | 29.6 | 109.5 |
| | 5000 | | 3184 | 29.9 | 106.5 |

| Recommended Dimmers* |
|----------------------|
| Lutron NTSTV-DV-WH |
| Lutron DVSTV |
| Cooper SF10P |
| Legrand RH4FBL3PW |

| Ordering Information | | | | | | | Example: CLR62SWRVS9WH |
|----------------------|------------|-----------------|------------------------------|----------------|----------------|------------|------------------------|
| Series | Diameter | Version | Output | Voltage | CCT | CRI | Color |
| CLR | 6 (6 inch) | 2 (Version 2.0) | S (Standard Output) | WRV (120-347V) | S (Selectable) | 9 (90 CRI) | WH (White) |
| | 8 (8 inch) | | H (High Output) ¹ | | | | |

¹) High Output only available on CLR8
Specifications and dimensions subject to change without notice.

| Accessories | Accessories sold separately |
|-------------------------------|-----------------------------|
| Black 6" Trim | DCR-CLR-56-TR-BK |
| Nickel 6" Trim | DCR-CLR-56-TR-NK |
| Aged Copper 6" Trim | DCR-CLR-56-TR-AC |
| 6" Extension Ring | CLR6-10-EXT |
| 6" Rough in Template | ROUGHIN-TEMPLATE-6 |
| Black 8" Trim | CLR8-TR-BK |
| Nickel 8" Trim | CLR8-TR-NK |
| Oil Rubbed Bronze 8" Trim | CLR8-TR-OB |
| 8" Extension Ring | CLR8-10-EXT |
| 8" Extension Rings with Clips | CLR8-10-EXT-CLIPS |

This device complies with part 15 of the FCC Rules. Operation is subject to the following two conditions: (1) This device may not cause harmful interference, and (2) this device must accept any interference received, including interference that may cause undesired operation.

NOTE: This equipment has been tested and found to comply with the limits for a Class A digital device, pursuant to part 15 of the FCC Rules. These limits are designed to provide reasonable protection against harmful interference when the equipment is operated in a commercial environment. This equipment generates, uses, and can radiate radio frequency energy and, if not installed and used in accordance with the instruction manual, may cause harmful interference to radio communications. Operation of this equipment in a residential area is likely to cause harmful interference in which case the user will be required to correct the interference at his own expense.