

CLR6

6" Commercial Recessed LED Downlight

Product Description

Designed for both new construction and retrofit applications, the CLR Series can be installed directly into drywall, a ceiling grid or an existing 6" CFL mounting frame with its spring loaded retention tabs and a J-box cable connection. Offering a full range of dimming from 0-10 volts, the base fixture is white but has available trims in nickel, oil-rubbed bronze and black making it adaptable to most any environment. The versatility of this light source is perfect for commercial applications, such as educational and governmental facilities, retail and grocery lighting, offices or hospitality.

Construction

- Cast aluminum heat sink
- Matte white plastic trim
- Certified for direct contact with insulation

Optical System

- Polystyrene diffuse creates uniform light distribution that reduces glare without sacrificing lumen output

Electrical

- Universal input 120 -277VAC
- Driver delivers full-range dimming from 0 - 10VDC
- Silent and flicker-free operation
- Tight LED binning ensures color uniformity
- Operating temperature of 0° to 120°F (-18°C to 49°C)
- Meets FCC Part 15, Subpart B, Class A standards for conducted and radiated emissions
- TM-21 Reported L70(10k) life >60,000 hours
- TM-21 Calculated L70(10k) life = 60,000 hours
- LM-79, LM-80 testing performed in accordance with IESNA standards

Finish

- Matte white, smooth plastic trim
- Color trims available in Aged Copper, Black and Brushed Nickel

Installation

- Easy installation into most 6" incandescent or fluorescent frames
- Housing or frame not needed for new construction installation.
- Metal rough-in templates available
- Suitable for wet locations
- Adjustable, spring loaded retention tabs ensure secure fixture retention on ceilings up to 1 1/2" thick
- For installations where power surge may be possible, NICOR recommends installing additional surge protection at the fixture or electrical distribution panel

Warranty

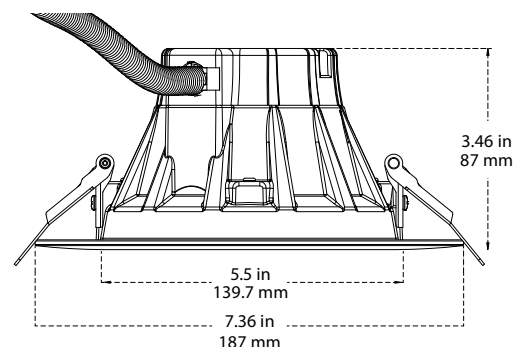
- 5-year limited system warranty standard
- Warranty does not cover product failure due to an overvoltage event (power surge)

Project _____

Catalog _____

Type _____

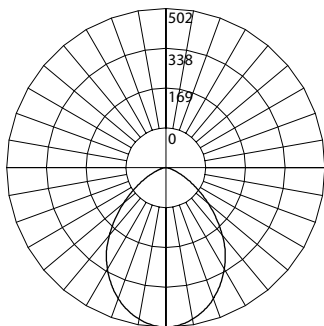
Date _____



Photometric Data

CLR6 3000K 1000Lm

Input Voltage (VAC)	120-277V
System Level Power (W)	10
Delivered Lumens (Lm)	1001
System Efficacy (Lm/W)	100.1
Correlated Color Temp (K)	2944
Color Rendering Index (CRI)	83
Beam Angle	86.3°
Spacing Criteria	1.11



Intensity Summary (Candle Power)

Angle	Mean CP
0	502
5	497
15	462
25	406
35	326
45	224
55	128
65	58
75	21
85	6
90	0

CCT Data Multiplier

CLR6-10-UNV-40K	1.050
-----------------	-------

Cone of Light Tabulation

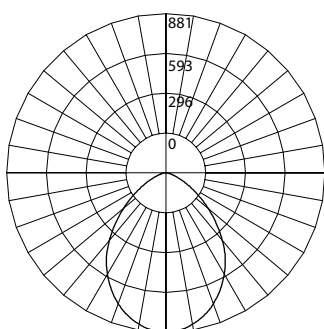
Mounted height (Inches)	Footcandles Beam Center	Diameter (Inches)
4	31.9	4.4
6	14.2	6.7
8	8.0	8.9
10	5.1	11.1
12	3.6	13.3
14	2.6	15.6
16	2.0	17.8

Zonal Lumen Summary

Zone	Lumens	% of Luminaire
0-30	386	38.6%
0-40	602	60.1%
0-60	908	90.7%
0-90	1001	100.0%
90-180	0	0.0%
0-180	1001	100.0%

CLR6 3500K 1500Lm

Input Voltage (VAC)	120-277V
System Level Power (W)	16.8
Delivered Lumens (Lm)	1756
System Efficacy (Lm/W)	104.5
Correlated Color Temp (K)	3420
Color Rendering Index (CRI)	85
Beam Angle	86.3°
Spacing Criteria	1.11



Intensity Summary (Candle Power)

Angle	Mean CP
0	881
5	872
15	810
25	712
35	572
45	393
55	225
65	102
75	37
85	11
90	0

CCT Data Multiplier

CLR6-1015-UNV-40K	1.052
-------------------	-------

Cone of Light Tabulation

Mounted height (Inches)	Footcandles Beam Center	Diameter (Inches)
4	56.0	4.4
6	24.8	6.6
8	14.0	8.8
10	8.9	11.1
12	6.2	13.3
14	4.5	15.6
16	3.5	17.8

Zonal Lumen Summary

Zone	Lumens	% of Luminaire
0-30	678	38.6%
0-40	1055	60.1%
0-60	1593	90.7%
0-90	1756	100.0%
90-180	0	0.0%
0-180	1756	100.0%

Fixture tested per LM-79-08. Photometric data is of the performance of a representative fixture. Results may vary in the field.

Performance Data

Model Number	Lumens	Watts	Lumens/Watt
CLR6-10-UNV-30K	1001	10.0	100.1
CLR6-10-UNV-40K	1051	10.0	105.1
CLR6-1015-UNV-35K	1756	16.8	104.5
CLR6-1015-UNV-40K	1847	16.8	110.0

Recommended Dimmers*

Lutron NTSTV-DV-WH
Lutron DVSTV
Cooper SF10P
Legrand RH4FBL3PW

*Not a complete list. Check compatibility before installation.

Ordering Information

Example: CLR6-10-UNV-30-WH

Series	Lumen Output	Voltage	CCT's	Color
CLR6	10 (1000 Lumen)	UNV (120-277V)	27 (2700 K)	WH (White)
	1015 (1500 Lumen)		30 (3000 K)	
			35 (3500 K)	
			40 (4000 K)	
			50 (5000 K)	

Accessories

Accessories sold separately

Black 6" Trim	DCR-CLR-56-TR-BK
Nickel 6" Trim	DCR-CLR-56-TR-NK
Aged Copper 6" Trim	DCR-CLR-56-TR-AC
Extension Ring for 8" Frame	CLR6-10-EXT
Rough in Template	ROUGHIN-TEMPLATE-6