

sunlite® INSTALLATION INSTRUCTIONS

LED T-GRID FIXTURE



Please read and understand this entire manual before attempting to assemble, operate or install the product.

WARNING: Avoid fire or electric shock. Follow installation instructions carefully. If unsure about electrical installation, consult a qualified electrician. Wear rubber-soled shoes and work on a sturdy wooden ladder. Ground fixture to avoid potential electric shock. Handle metal parts carefully to prevent cuts. To avoid a hazard to children, account for all parts and destroy all packing material. This product is only suitable for indoor applications.

CAUTION: Turn off the power at fuse or circuit breaker box before installation and maintenance. NOTE: This fixture is suitable for 120-277-Volt fused circuits. Fixture must be installed according to National Electric Code and local building codes. If you are unsure about wiring, consult a qualified electrician. THIS FIXTURE BODY IS ONE PIECE, DO NOT DISASSEMBLE OR MAKE ALTERATIONS.

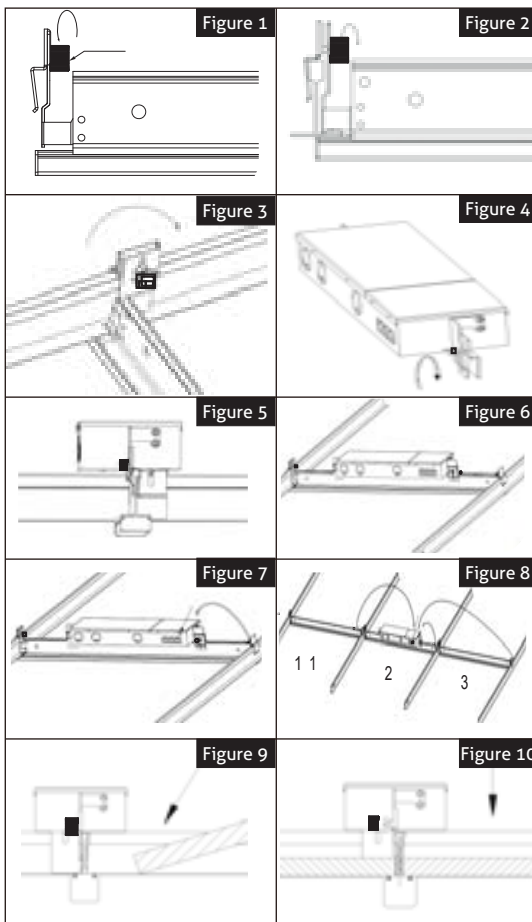
This device complies with part 15 of the FCC Rules. Operation is subject to the following two conditions: (1) this device may not cause harmful interference, and (2) this device must accept any interference received, including that may cause undesired operation.



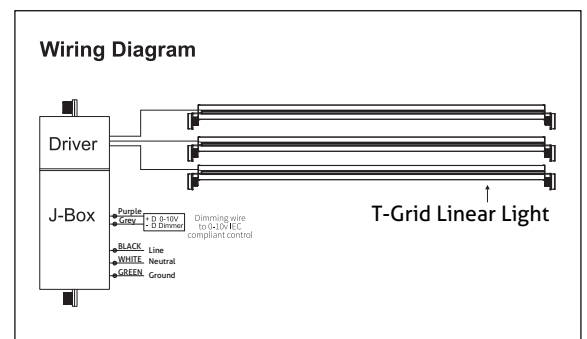
DIMMABLE

Compatible with most wall based 0-10V dimming controllers

Installation (Mounting hardware not included)



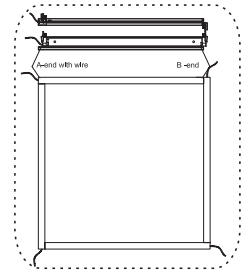
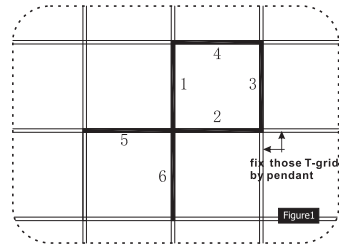
- Step 1:** Unlock the two nuts at the ends of the fixture (Figure 1).
- Step 2:** Install the fixture to ceiling grid and tighten the two terminal nuts (Figure 2 and Figure 3).
- Step 3:** Unlock the nuts from both end of Junction box (Figure 4).
- Step 4:** Secure the junction box to the fixture and tighten the two terminal nuts (Figure 5 and Figure 6).
- Step 5:** Connect the connector (RJ45) from fixture to the output connector of Junction Box (Figure 7).
Please note one driver can only support Max 3 units(Figure 8).
- Step 6:** Open the Junction box, connect the L (live), N (Neutral), G (Ground) wires by using the 4-pin connectors and connect the dimming wire with the orange connector cap.
- Step 7:** Cover the plasterboard to finish installation and ensure there is no opening at ceiling. (Figure 9 and Figure 10)



Installation(cont.)

("L" shape, "□" shape, "T" shape, "+" shape)

You can remove the related T-grid from the drop ceiling according to your shape design.
 For example, for "□" shape, remove the No.1, No.2, No.3 and No. 4 T-grid;
 for "+" shape, remove the No.1, No.2, No.5 and No. 6 T-grid;
 Pls note: The adjacent T-grid must be fixed by the pendant. (figure 1)

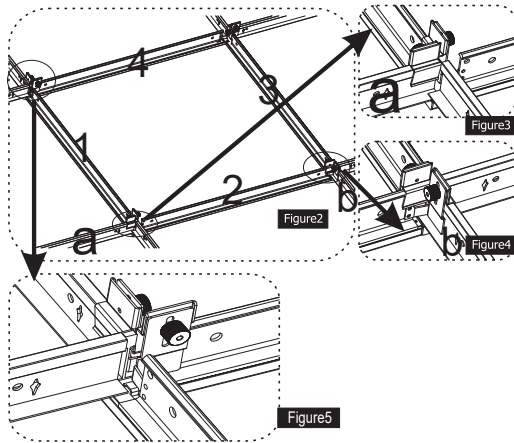


• "L" SHAPE INSTALLTION STEP:

- Step 1. for the No.1 Light fixture, fix the A-end with wire of the No.1 light fixture by pendant and the B-end on the "a" T-Grid.
- Step 2. fix the No. 2 light fixture on the No. 1 light fixture with the A-end with wire, and the B-End on the "b" T-Grid.

• "□" SHAPE INSTALLTION STEP:

Follow up the "L" shape installation, using the same method as "L" sahpe did, install the No.3 and No.4 light fixture. (Figure, 2, Figure 3, Figure 4, Figure 5)

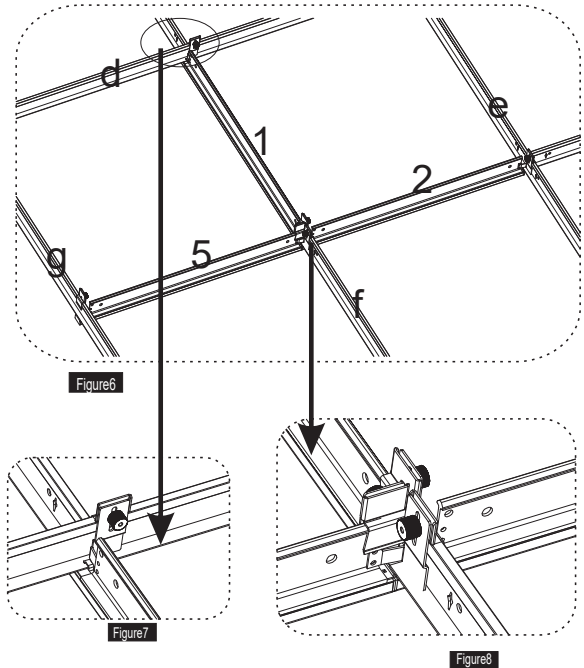


• "T" SHAPE INSTALLTION STEP:

- Step 1. Install the No.1 Light fixture, fix the A-End with wire of the light fixture on the "d" T-Grid and the B-end by pendant.
- Step 2. Fix the A-end with wire of the No.2 light fixture on the No.1 light fixture, and the B-end of the fixture on the "e" T-Grid.
- Step 3. Using the same method, fix the A-end with wire of the No.5 light fixture on the "g" T-Grid, and the B-End on the "f" T-Grid.

• "+" SHAPE INSTALLTION STEP:

Follow up the "T" shape installation, and replace the "f" T-Grid with one light fixture (Figure 7, Figure 8 and Figure 9)



Sunshine Lighting Company
 744 Clinton Street Brooklyn, NY 11231, USA
 T. 718.768.7000
 F. 718.768.0970
 www.sunlite.com