

sunlite®

INSTALLATION INSTRUCTIONS

LED BOLLARD FIXTURE | 87993-SU LFX-LBF-R-MW-SCT

Please read and understand this entire manual before attempting to assemble, operate or install the product.

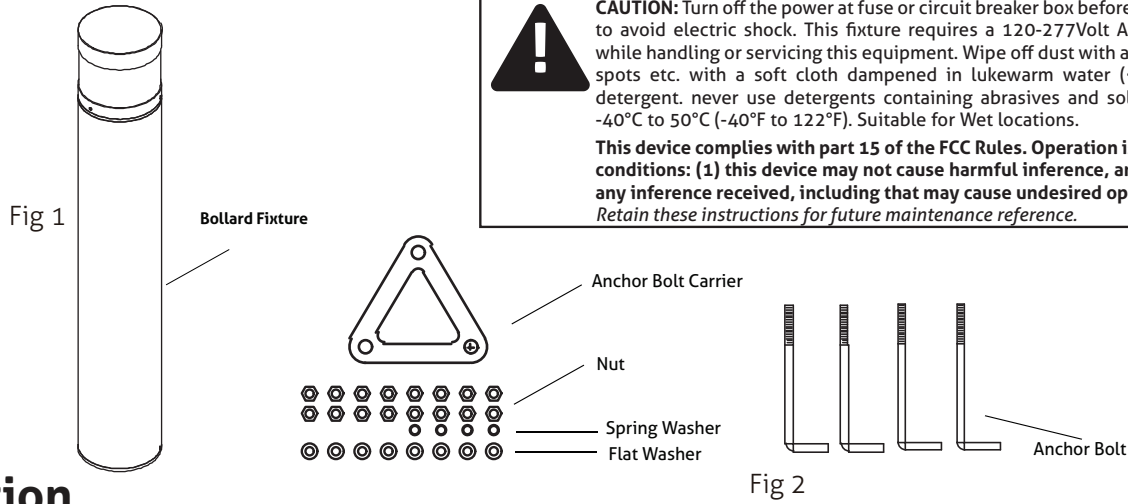
WARNING: Avoid fire or electric shock. This product must be installed in accordance with the applicable installation code by a person familiar with the construction and operation of the product and the hazards involved. Before installing the fixture, ensure that all parts are present and same as the part list. If any part is missing or damaged, do not attempt to assemble, install, or operate this fixture. Ensure that the foundation is stable and can support the luminaire's weight. Use proper means to secure the luminaire to the ground.



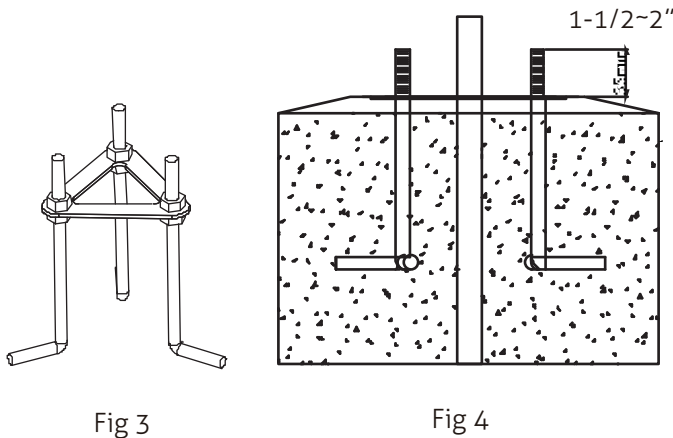
CAUTION: Turn off the power at fuse or circuit breaker box before installation and maintenance to avoid electric shock. This fixture requires a 120-277Volt AC power source. Wear gloves while handling or servicing this equipment. Wipe off dust with dry, soft cloth. Remove greasy spots etc. with a soft cloth dampened in lukewarm water (<122°F / 50° C) with a mild detergent. never use detergents containing abrasives and solvents. Operating temperature -40°C to 50°C (-40°F to 122°F). Suitable for Wet locations.

This device complies with part 15 of the FCC Rules. Operation is subject to the following two conditions: (1) this device may not cause harmful interference, and (2) this device must accept any interference received, including that may cause undesired operation.

Retain these instructions for future maintenance reference.



Foundation



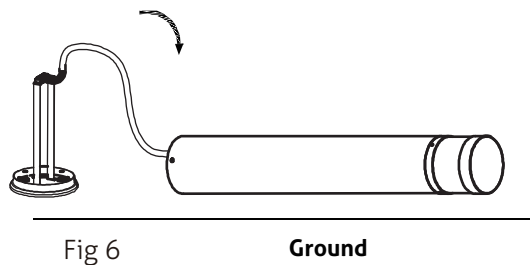
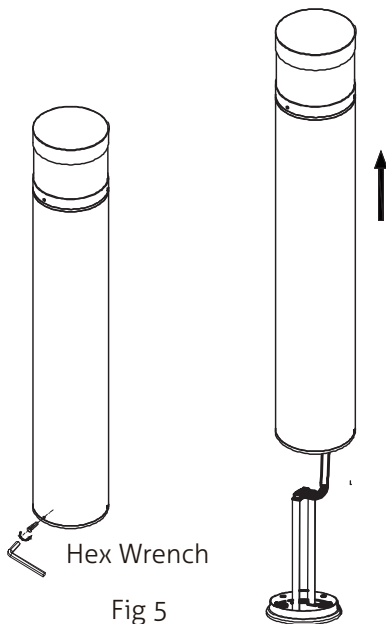
NOTE: Anchor bolts, template, and Wire-Tie Bracket are attached to base plate for shipping.

1. Foundation should be a minimum of 12 inches (305mm) in diameter, finished level and smooth, with a depth below grade of 24 (610mm) inches. **NOTE:** in areas where frost is imminent, consult with a civil engineer for a recommended foundation detail.
2. Provided are three 3/8" diameter x 12" (254mm) long anchor bolts and mounting template (included). Remove base plate from end of bollard by loosening (DO NOT remove) the 4 set screws at the base of the bollard with a 1/8" Allen wrench. Template and anchor bolts can be removed from base to allow for installation of anchor bolts.
3. Use template to set anchor bolts at proper location (Note conduit entry allowance). Anchor bolts should project 1-1/2~2" above concrete.

Bollard Installation

NOTE: Fixture head does not need to be removed from bollard pole during installation.

1. To allow for base plate leveling, before positioning base plate on anchor bolts, thread one leveling nut followed by a washer onto each anchor bolt. see Fig. 3-4.
2. Place base plate over anchor bolts and leveling nuts.
3. Position Wire-Tie Bracket on one of the anchor bolts.
4. Loosely tighten (3) sets of locking washers and nuts onto ends of anchor bolts, making sure washer and nut of one of the anchor bolts retains Wire-Tie Bracket.
5. Level the base plate by adjusting the leveling nuts under the base plate. Once leveled, tighten the upper nuts on top of the base plate.
6. Place conduit supply wires through the wire-tie in teh Wire-Tie Bracket.
7. Make wiring connections per the Electrician Connections section.
8. Tighten wire-tie on Wire-Tie Bracket to ensure wiring connections are supported above ground level. See Fig. 5-6



Installation (Cont.)

9. Place bollard tube over base plate.
10. Progressively hand tighten 4 set screws at the base of the bollard tube with 1/8" Allen wrench. Once all 4 screws are hand tight, finish tightening screws. See **Fig. 7-8.**

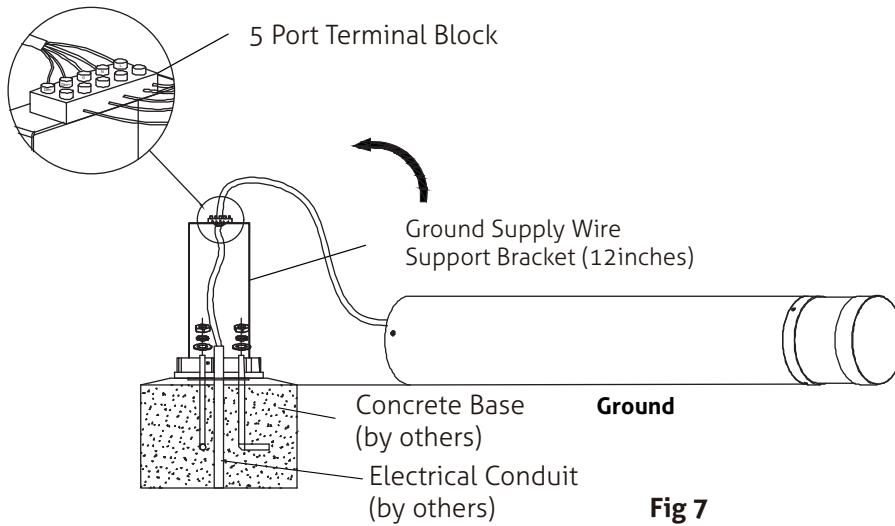


Fig 7

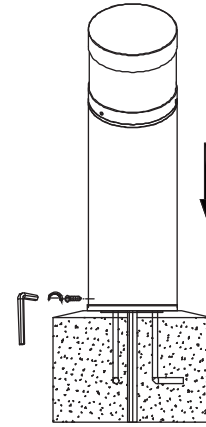


Fig 8

Dial Switches Diagram

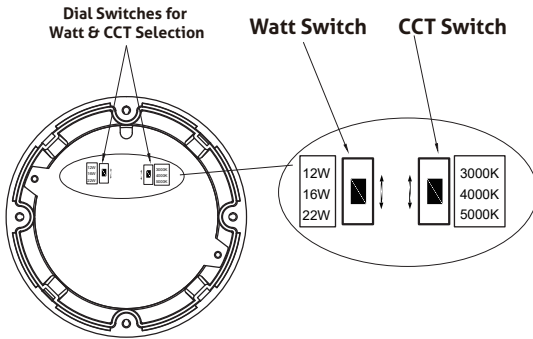


Fig 9

The end users may adjust the color temperature and wattage by the two DIP switch buttons intergrated into the fixture. Each DIP switch is accommodated with 3 options, corresponding to 3 color temperatures and 3 powers respectively, which can perform the desired color temperature and lumen output combination.

Factory Settings: 22W, 5000K

1. DIP switches are located onto the fixture. (see **Fig. 9**)
2. Select a wattage and color temperature by sliding switch up or down respectively to the desired value.

Wiring Dirgram

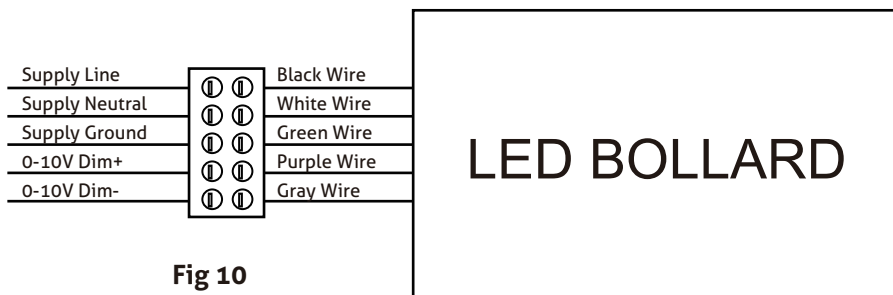


Fig 10

Sunshine Lighting Company

744 Clinton Street Brooklyn, NY 11231, USA

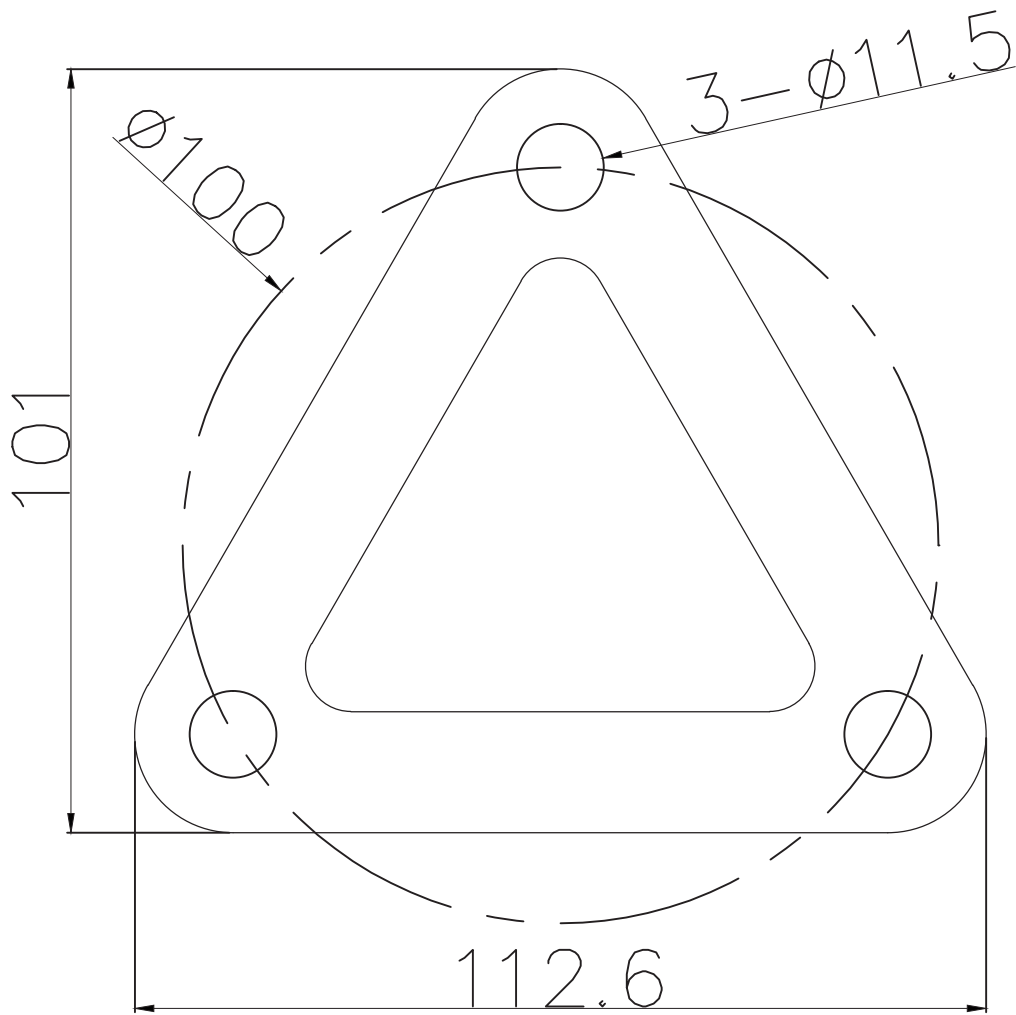
T. 718.768.7000

F. 718.768.0970

www.sunlite.com

ANCHOR BOLT TEMPLATE FOR BOLLARD

Confirm dimensions before using as a template. If possible use the actual mounting plate as your template.



ROUND