

WALL PACK LIGHT INSTALLATION INSTRUCTIONS

IMPORTANT

READ CAREFULLY BEFORE INSTALLING FIXTURE. RETAIN THESE INSTRUCTIONS FOR FUTURE REFERENCE.

Fixtures must be wired in accordance with the National Electrical Code and all applicable local codes.

Proper grounding is required for safety.

THIS PRODUCT MUST BE INSTALLED IN ACCORDANCE WITH THE APPLICABLE INSTALLATION CODE BY A PERSON FAMILIAR WITH THE CONSTRUCTION AND OPERATION OF THE PRODUCT AND THE HAZARDS INVOLVED.

WARNING: Make certain power is OFF before installing or maintaining fixture.

No user serviceable parts inside.

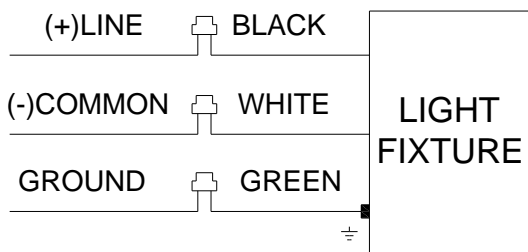
INSTALLATION

1. Open the lens assembly by unscrewing the two screws (Fig. 1).
2. Disconnect the wires between driver and LED module (Fig.1).
3. Prepare the back plate for mounting by drilling the appropriate holes (A). (Fig. 2).
4. Line up the back plate in desired location and mount securely. (One gasket provided for weather-tight seal between template and junction box). Pass before the wiring through the appropriate hole of the rear cover.
5. Complete the wiring to the power source and ground.
6. Reconnect the wires between driver and LED module.
7. Close the luminaire's door by tightening the screws (Fig. 1).
8. Caulk the entire perimeter of the luminaire to the mounting surface.

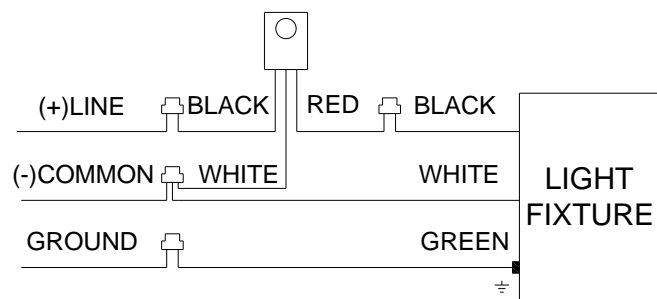
WIRING

Universal voltage driver permits operation at 100V to 277VAC, 50 or 60Hz except fixtures factory ordered with a 120V photocell (/PC).

1. Connect the black fixture line to the (L) Live line supply wire.
2. Connect the white fixture line to the (N) Neutral line supply wire.
3. Connect the green fixture line to the (G) Ground line supply ground.



Without photocell



With photocell

WALL PACK LIGHT INSTALLATION INSTRUCTIONS

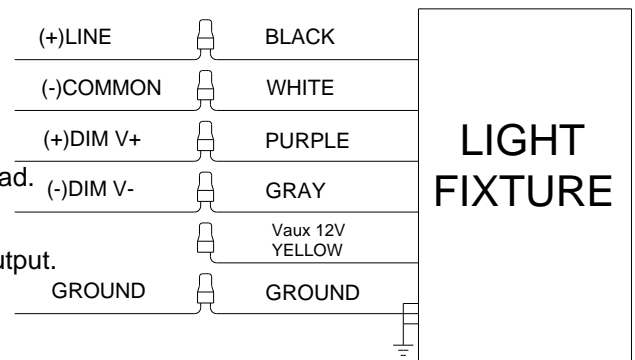
0-10V DIMMABLE WIRING

Universal voltage driver permits operation at 120V thru 277V, 50 or 60 Hz. For 0-10V Dimming, follow the wiring directions as in fig. 4.

1. Connect the black fixture lead to the (+) LINE supply lead.
2. Connect the white fixture lead to the (-) COMMON supply lead.
3. Connect the GROUND wire from fixture to supply ground.

Do NOT connect the GROUND of the dimming fixture to the output.

4. Connect the purple fixture lead to the (V+) DIM lead.
5. Connect the gray fixture lead to the (V-) DIM lead.
6. Cap the yellow fixture lead, if present. Do NOT connect.



0-10V Dimming

CLEANING & MAINTENANCE:

CAUTION: Be sure fixture temperature is cool enough to touch.

Do not clean or maintain while fixture is energized.

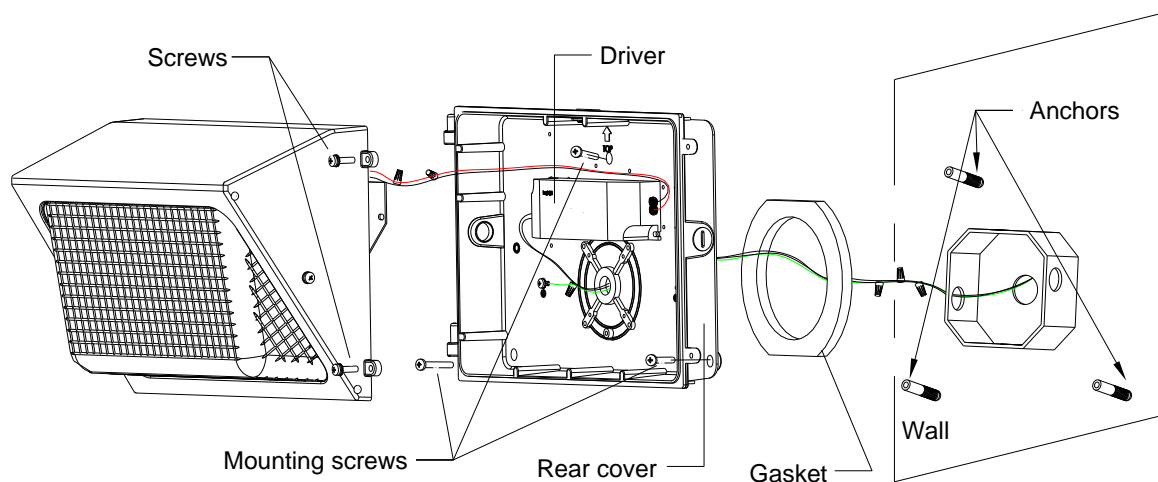
1. Clean glass lens with non-abrasive glass cleaning solution.
2. Do not open fixture to clean the LED. Do not touch the LED.

TROUBLESHOOTING

1. Check that the line voltage at fixture is correct. Refer to wiring directions.
2. Is the fixture grounded properly?

Note: These instructions do not cover all details or variations in equipment nor do they provide for every possible situation during installation, operation or maintenance.

Fig.1



WALL PACK LIGHT INSTALLATION INSTRUCTIONS

Fig.2

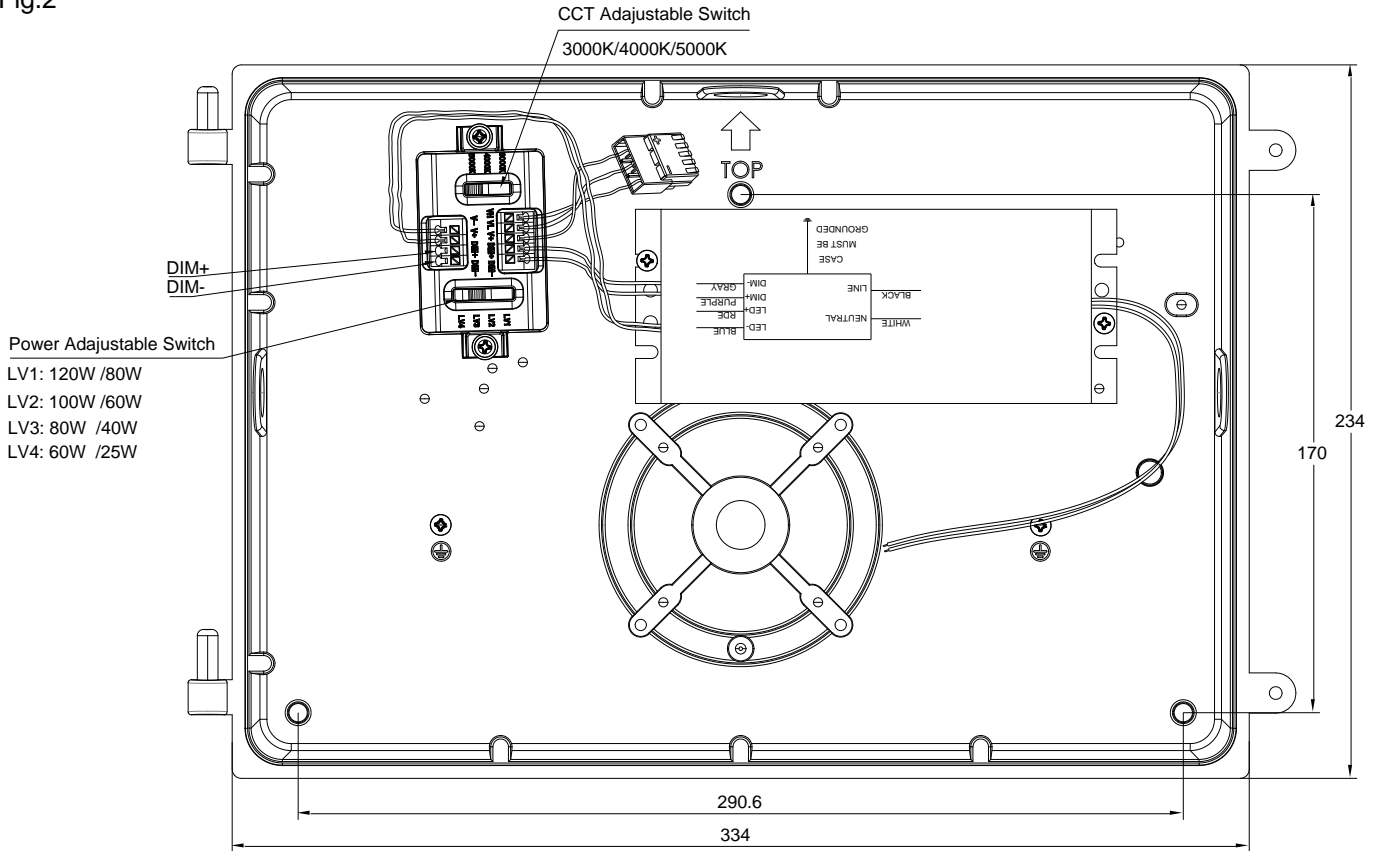
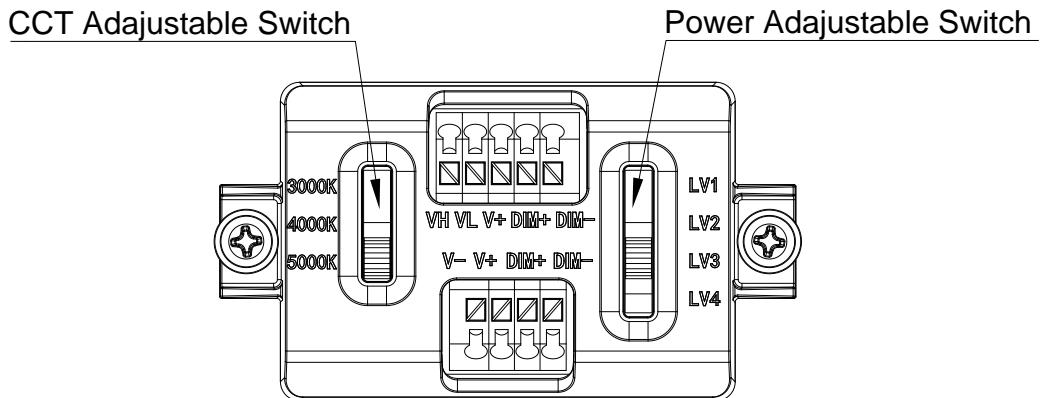


Fig.3



CCT	3000K /4000K/5000K (default: 5000K)
Power (120W)	LV1:120W /LV2:100W /LV3:80W /LV4:60W (default: 120W)
Power (80W)	LV1:80W /LV2:60W /LV3:40W /LV4:25W (default: 80W)