

sunlite® INSTALLATION INSTRUCTIONS

Models:

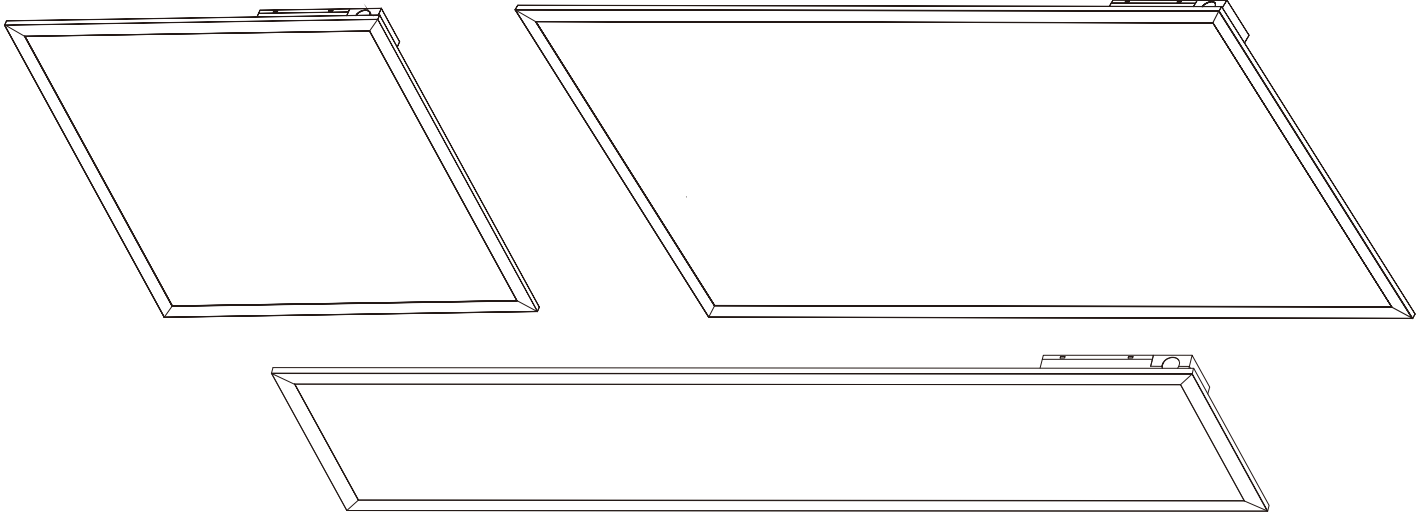
FOR 1x4 LED FLAT PANEL | 2x2 LED FLAT PANEL | 2x4 LED FLAT PANEL

Please read and understand this entire manual before attempting to assemble, operate or install the product.

WARNING: Avoid fire or electric shock. Follow installation instructions carefully. If unsure about electrical installation, consult a qualified electrician. Wear rubber-soled shoes and work on a sturdy wooden ladder. Ground fixture to avoid potential electric shock. Handle metal parts carefully to prevent cuts. To avoid a hazard to children, account for all parts and destroy all packing materials. This product is only suitable for indoor damp applications.

CAUTION: Turn off the power at fuse or circuit breaker box before installation and maintenance. Fixture must be installed according to National Electric Code and local building codes. If you are unsure about wiring, consult a qualified electrician. maintenance. Fixture must be installed according to National Electric Code and THIS FIXTURE BODY IS ONE PIECE, DO NOT DISASSEMBLE OR MAKE ALTERATIONS.

This device complies with part 15 of the FCC Rules. Operation is subject to the following two conditions: (1) this device may not cause harmful interference, and (2) this device must accept any interference received, including that may cause undesired operation.



Installation

Figure 1

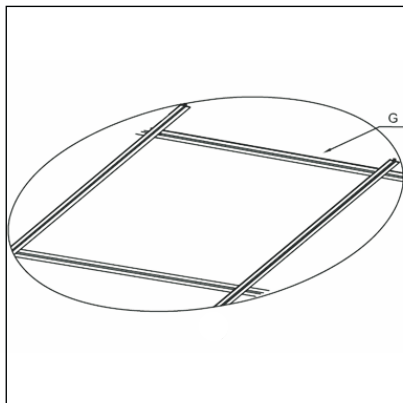
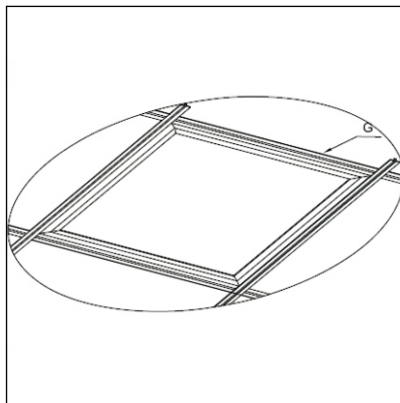


Figure 2



Installation Steps:

Figure 1 & 2: Place panel light above the keel (G) of suspended ceiling.

Figure 3: Connect L and N wires as shown.

Figure 4: If using 0-10V dimming, connect wires to the DIM+ and DIM- interface as shown.

Figure 3

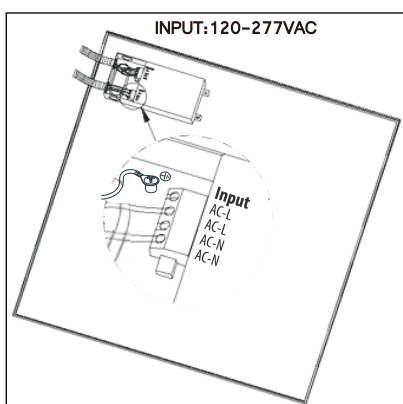


Figure 4

