

sunlite®

INSTALLATION INSTRUCTIONS


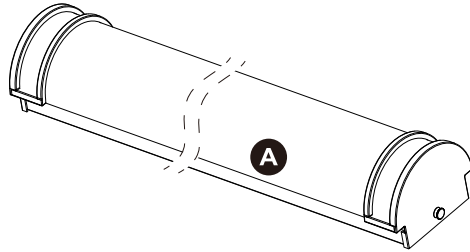
LED VANITY FIXTURE | 81370-SU LFX/VF/24"/25W/BN/SCT
LED VANITY FIXTURE | 81372-SU LFX/VF/36"/30W/BN/SCT
LED VANITY FIXTURE | 81374-SU LFX/VF/48"/40W/BN/SCT

Please read and understand this entire manual before attempting to assemble, operate or install the product.

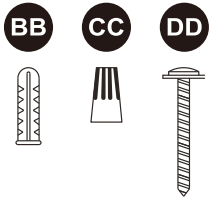
WARNING: Avoid fire or electric shock. Follow installation instructions carefully. If unsure about electrical installation, consult a qualified electrician. Wear rubber-soled shoes and work on a sturdy wooden ladder. Ground fixture to avoid potential electric shock. Handle metal parts carefully to prevent cuts. To avoid a hazard to children, account for all parts and destroy all packing materials.

This device complies with part 15 of the FCC rules. Operation is subject to the following two conditions: (1) This device may not cause harmful interference, and (2) this device must accept any interference received, including interference that may cause undesired operation.

CAUTION: Turn off the power at fuse or circuit breaker box before installation and maintenance. NOTE: This fixture is suitable for 120-277 Volts fused circuit. Fixture must be installed according to National Electric Code and local building codes. If you are unsure about wiring, consult a qualified electrician. Suitable for Damp Locations.

Introduction



Part	Item Name	Qty.
A	4' LED Wraparound fixture	1
BB	Drywall Anchors	2
CC	Wire Nuts	5
DD	4X40MM Screws	4

Select suitable location that can support the weight of the fixture.

Suitable for use in the following locations:

- Ambient Temp: -20~+40°C
- Indoor use
- Damp locations

Installation

1. Preparing for installation

A. Disconnect electrical power at fuse or circuit breaker box before installing or servicing any part of this fixture.

B. Carefully remove the fixture from the carton, and check that all parts are included, as shown in figure.

2. Mounting & Wiring (all wiring must take place inside junction box)

Caution: Make sure power is off at fuse or circuit breaker box. Check power wires for damage or scrapes. If power supply wires are within three inches of the ballast power supply, use wire suitable for at least 90°C (194°F). Note: Most dwellings built before 1985 have supply wire rated to 60°C. Consult a qualified electrician before installing.

A. Position the back plate mounting channel (1) against the wall covering the junction box (not included) and secure with the two screws included. Mark placement of mounting keyhole slots (2).

B. Drill appropriate sized holes or install wall anchors to accept mounting screws (not included).

C. Connect the power source ground wire to the green or bare copper wire from the fixture assembly.

D. Using wire nuts (provided), connect white supply wire to white ballast lead. Connect black supply wire to black ballast lead.

Connect "Dim 0-10V" supply wire to purple ballast lead. Connect "Dim ground" supply wire to grey ballast lead. **Do not mix wires.**

Pull on each wire lead to make sure connections are secure. Make certain no bare wires are exposed outside of wire connectors.

E. Tuck all connections neatly into junction box (not included).

F. Fasten channel securely to the wall.

G. Install the fixture housing (3) to the channel by sliding the slots in the housing over the screws (4) in the channel and tightening the screws.

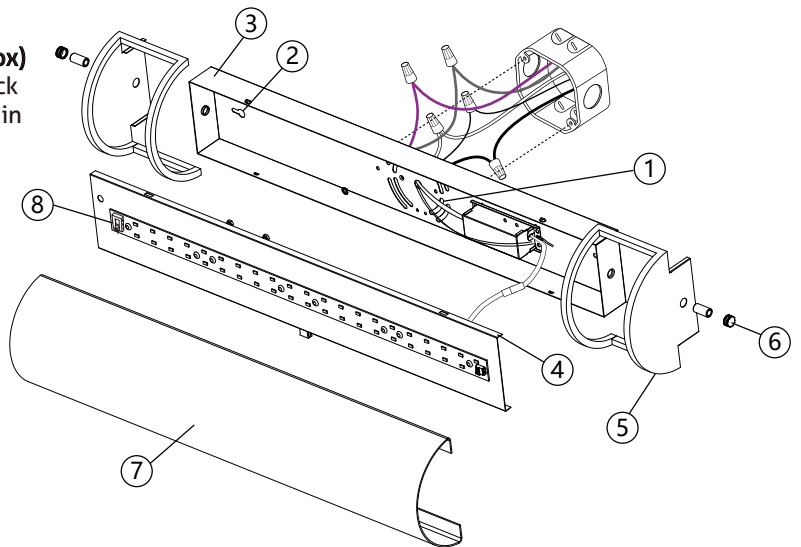
H. Slide the CCT switch(8) to select from 3000K, 4000K, 5000K.

3. Diffuser Assembly

A. Install one end (5) using the thumbscrew (6).

B. Slide the diffuser (7) into the installed end, and install the other end with thumbscrew to secure diffuser in place.

4. Restore power at fuse or circuit breaker box.



Sunshine Lighting Company

744 Clinton Street Brooklyn, NY 11231, USA

T. 718.768.7000

F. 718.768.0970

www.sunlite.com