

## INSTALLATION INSTRUCTIONS

### LED SEMI FLUSH MOUNT FIXTURE

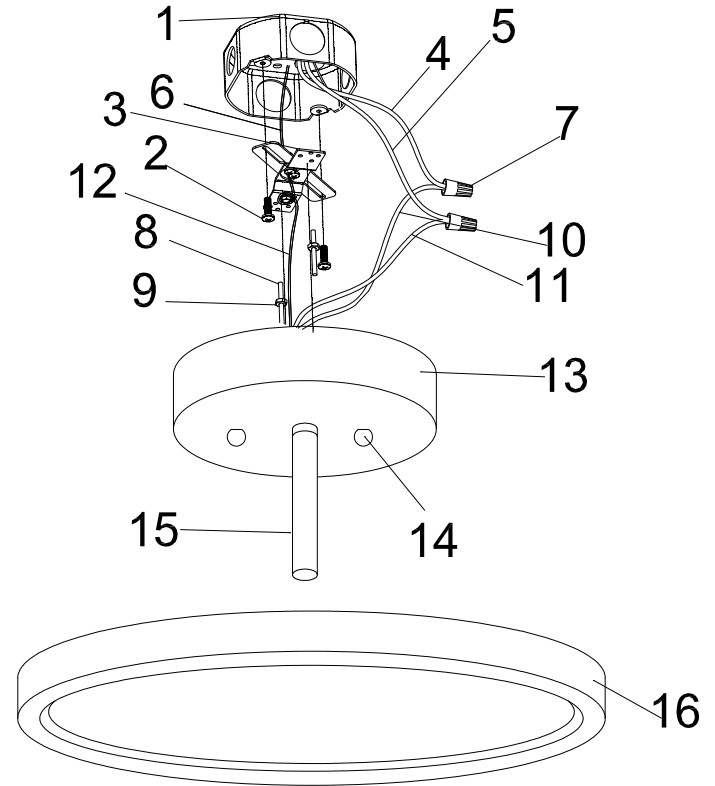
120VAC/60Hz Input, Dimmable

#### READ AND FOLLOW SAFETY INFORMATION

**CAUTION** - Turn off the main power at the circuit breaker before installing and servicing the fixture to prevent possible injury from electric shock. All electrical connections must be in accordance with local and National Electrical Code (N.E.C.) standards. If you are unfamiliar with proper electrical wiring connections, obtain the services of a qualified electrician.

#### INSTALLATION & ASSEMBLY

1. Thread the 8-32 HEX NUT (9) onto the FIXTURE SCREW (8), and screw the FIXTURE SCREW (8) into the MOUNTING BRACKET (3), without tightening the HEX NUT.
2. Pull the power supply wires out from the OUTLET BOX (1) and mount the MOUNTING BRACKET (3) to the OUTLET BOX (1), using MOUNTING SCREWS (2).
3. Attach the power supply wires to the fixture lead wires by connecting BLACK to BLACK (11), WHITE to WHITE (10). Attach the POWER SUPPLY GROUND WIRE (6) from the OUTLET BOX and the FIXTURE GROUND WIRE (12) by using WIRE NUT(7).
4. After wires are connected, tuck them carefully inside the outlet box.
5. Place ceiling canopy (13) over the OUTLET BOX, and make sure FIXTURE SCREW (8) feed through the two holes on the canopy. Thread 2 CAP NUT(14) onto the fixture screws (9), tighten them until ceiling canopy is securely mounted.
6. Tighten the rod(15) to the fixture body(16)



- |                              |                         |
|------------------------------|-------------------------|
| 1. OUTLET BOX (NOT INCLUDED) | 9. #8-32 HEX NUT        |
| 2. MOUNTING SCREW            | 10. WHITE FIXTURE WIRE  |
| 3. MOUNTING BRACKET          | 11. BLACK FIXTURE WIRE  |
| 4. WHITE SUPPLY WIRE         | 12. FIXTURE GROUND WIRE |
| 5. BLACK SUPPLY WIRE         | 13. CEILING CANOPY      |
| 6. SUPPLY GROUND WIRE        | 14. CAP NUT             |
| 7. WIRE NUT                  | 15. ROD                 |
| 8. #8-32 FIXTURE SCREW       | 16. FIXTURE BODY        |