

LED AREA LIGHT, 277-480V

Models: 65-860, 65-861, 65-862, 65-863, 65-864,
65-865, 65-866, 65-867, 65-868, 65-869

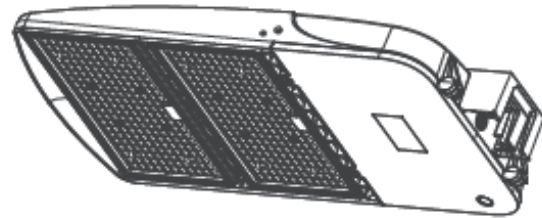


INSTALLATION AND SAFETY INSTRUCTIONS

IMPORTANT: Read before installing fixture. Retain for future reference.

WARNING:

- To reduce the risk of personal injury or property damage from fire, electric shock, falling parts, cuts/abrasions, and other hazards read all warnings and instructions included with and on the fixture and all fixture labels.
- Commercial installation, service and maintenance of luminaries should be performed by a qualified licensed electrician. For the installation: If you are unsure about the installation or maintenance of the luminaries, consult a qualified licensed electrician and check your local electrical code.
- Turn OFF electrical power at fuse or circuit breaker before wiring fixture to the power supply.
- Turn OFF the power when you perform any maintenance.
- All connections should be capped with UL approved wire connectors.
- Verify that supply voltage is correct by comparing it with the luminaire label information.
- Can be used for outdoor installation.



INSTRUCTIONS:

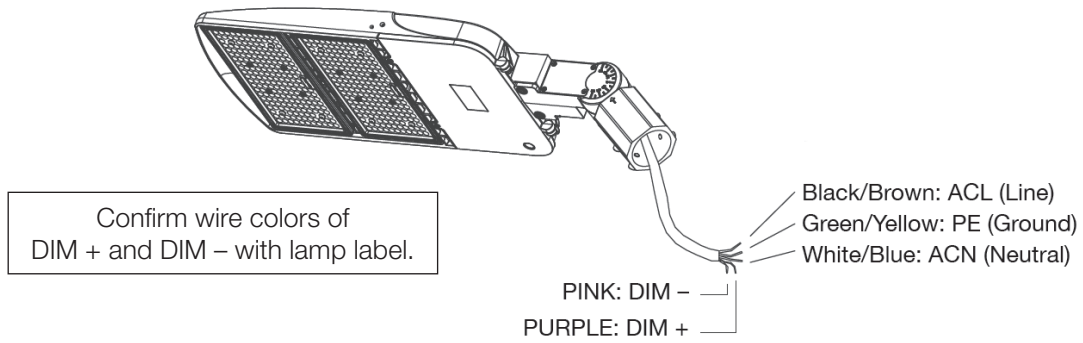
- This product has dimming and non-dimming function, which differs in installation ways.
- The dimming function available for this fixture is 1-10VDC dimming.
- Choose the wire connection, dimming and installation variations, according to your needs and fixture purchased.

ELECTRICAL REQUIREMENTS

Item Number	Description	Voltage/CCT/Finish	Frequency	Rated Current
65-860	100W LED AREA LIGHT TYPE III	277-480V/4000K/BRONZE	50/60Hz	0.4A
65-861	100W LED AREA LIGHT TYPE III	277-480V/5000K/BRONZE		0.4A
65-862	150W LED AREA LIGHT TYPE III	277-480V/4000K/BRONZE		0.6A
65-863	150W LED AREA LIGHT TYPE III	277-480V/5000K/BRONZE		0.6A
65-864	200W LED AREA LIGHT TYPE III	277-480V/4000K/BRONZE		0.8A
65-865	200W LED AREA LIGHT TYPE III	277-480V/5000K/BRONZE		0.8A
65-866	240W LED AREA LIGHT TYPE III	277-480V/4000K/BRONZE		0.95A
65-867	240W LED AREA LIGHT TYPE III	277-480V/5000K/BRONZE		0.95A
65-868	300W LED AREA LIGHT TYPE III	277-480V/4000K/BRONZE		1.2A
65-869	300W LED AREA LIGHT TYPE III	277-480V/5000K/BRONZE		1.2A

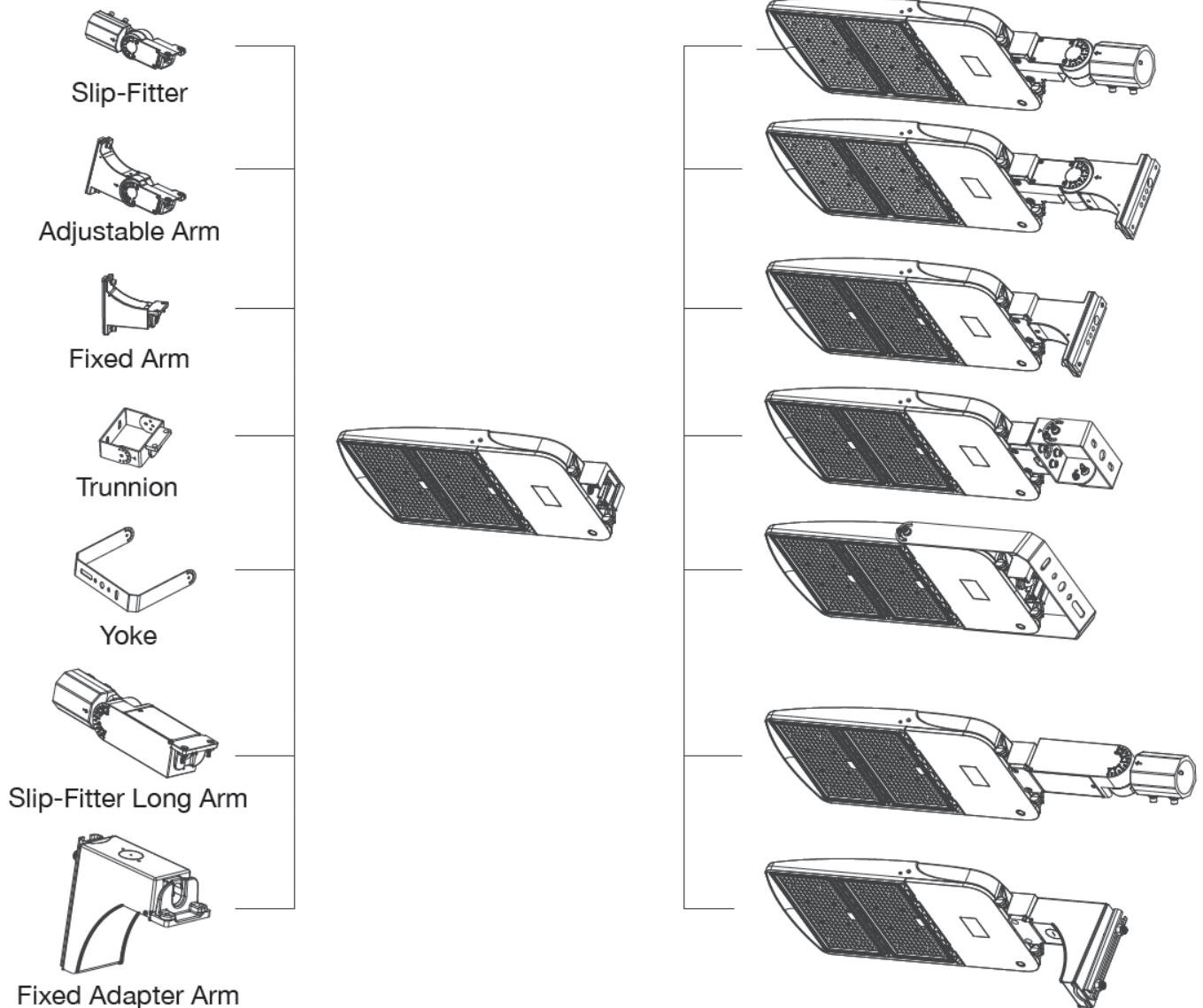
WIRING DIAGRAM

NOTE: For additional wiring diagrams with and without photocell and/or motion sensor, see page 10.



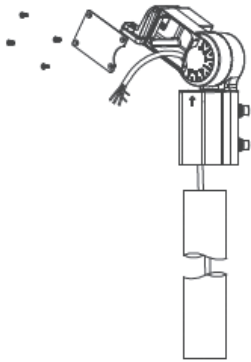
OPTIONAL BRACKETS FOR INSTALLATION

NOTE: There are 7 optional brackets for this fixture. See pages 3-9 for installation instructions.

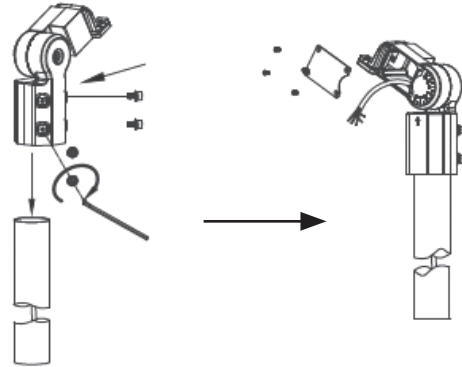


INSTALLATION: Slip-Fitter Mount

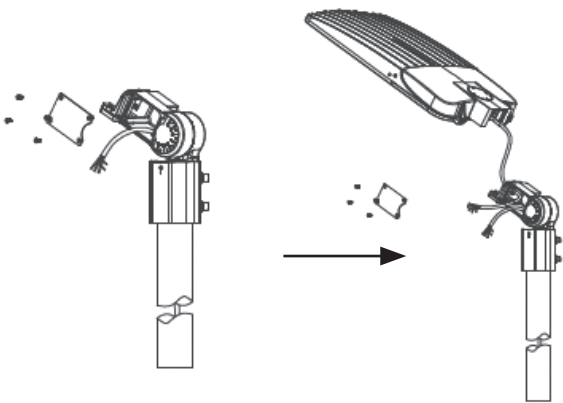
STEP 1: Unscrew to remove the cover of junction box of slip-fitter bracket, pass the wires out from pole through slip-fitter bracket.



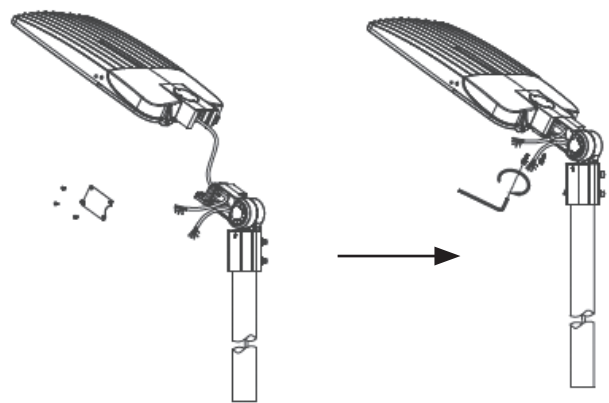
STEP 2: Assemble the slip-fitter bracket on the pole, tighten the fixing screws to lock with a wrench.



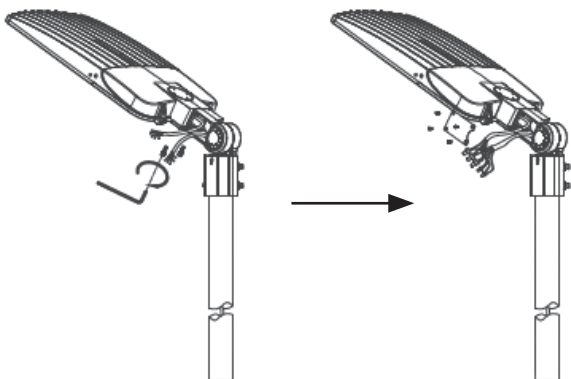
STEP 3: Pass the fixture's wires through the slip-fitter bracket into junction box.



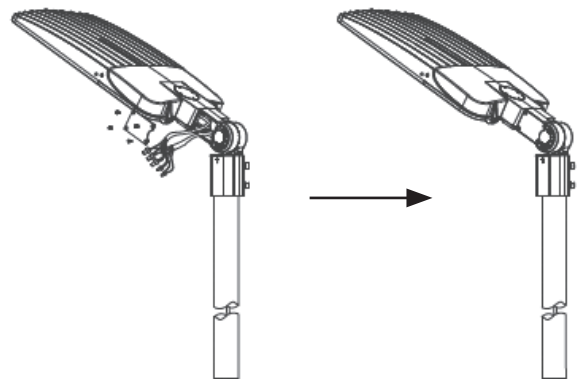
STEP 4: Hang the fixture body on the slip-fitter bracket, then tighten the fixing screws to lock the fixture body with a wrench.



STEP 5: Connect the wires from pole to fixture's AC input wires, L to L (Black-Black), N to N (White-White), PE to PE (Green-Green); Connect dimming wires if desired. Use connectors to connect [Dim +] to fixture's [Dim +] (Purple), [Dim -] to fixture's [Dim -] (Pink), then put all the wire inside of junction box.

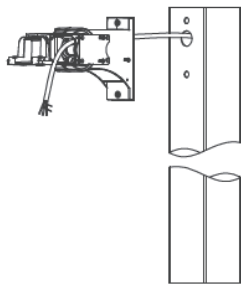


STEP 6: Install the cover back to junction box, tighten the screw with a wrench.

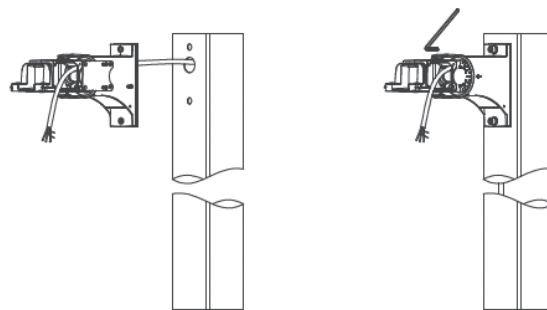


INSTALLATION: Adjustable Arm Mount

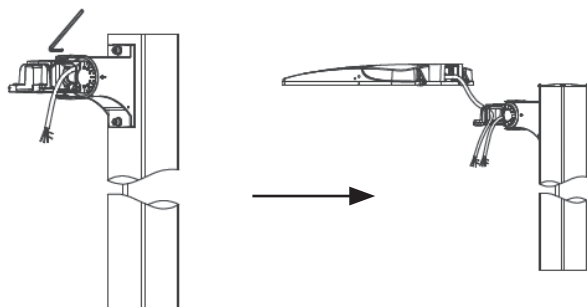
STEP 1: Unscrew to remove the cover of junction box of adjustable arm bracket, pass the wires out from pole through adjustable arm.



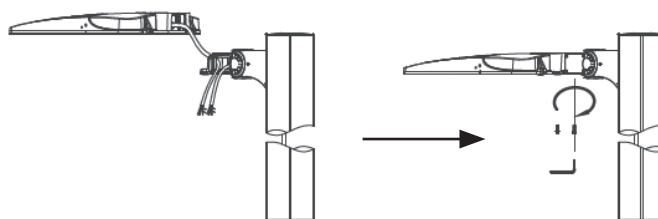
STEP 2: Assemble the adjustable arm bracket on the pole, tighten the fixing screws to lock with a wrench.



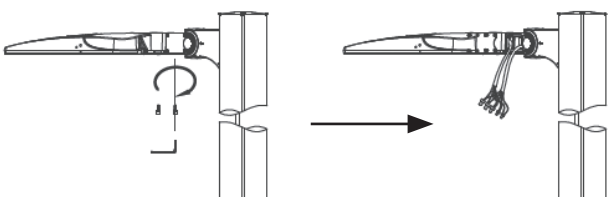
STEP 3: Pass the fixture's wires through the adjustable arm bracket into junction box.



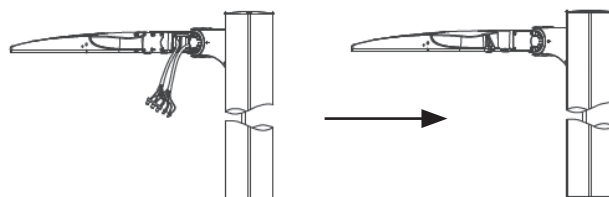
STEP 4: Hang the fixture body on the adjustable arm, then tighten the fixing screws to lock the fixture body with a wrench.



STEP 5: Connect the wires from pole to fixture's AC input wires, L to L (Black-Black), N to N (White-White), PE to PE (Green-Green); Connect dimming wires if desired. Use connectors to connect [Dim +] to fixture's [Dim +] (Purple), [Dim -] to fixture's [Dim -] (Pink), then put all the wire inside of junction box.

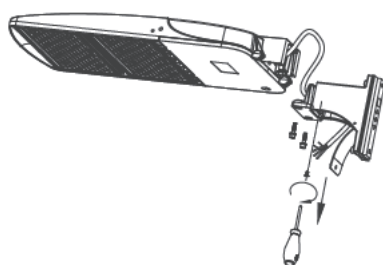


STEP 6: Install the cover back to junction box, tighten the screw with a wrench.

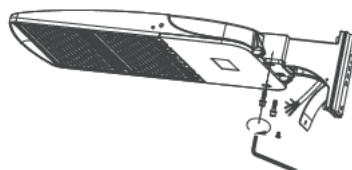


INSTALLATION: Fixed Arm Mount

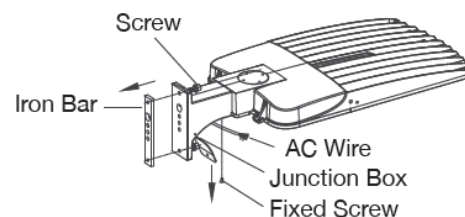
STEP 1: Loosen and remove the screws from the fixed arm bracket, open junction box cover; pass fixture's AC input wires through bracket.



STEP 2: Assemble fixed arm bracket to fixture body by tightening fixing screws with a wrench.

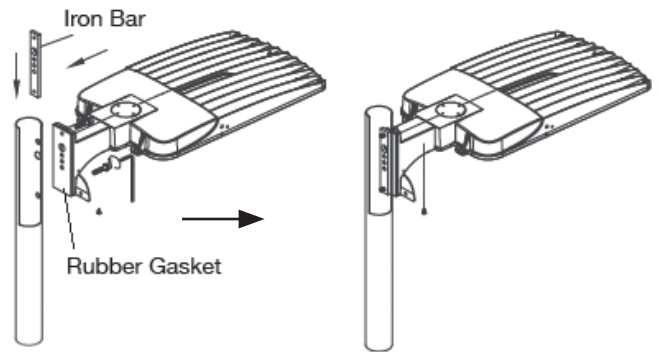
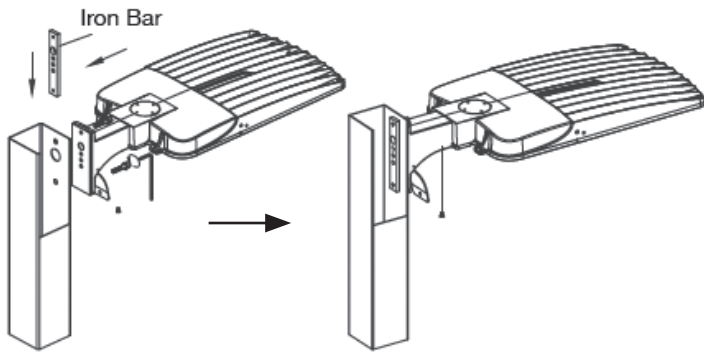


STEP 3: Remove the screws with screwdriver, place the iron bar aside, remove the fixing screws to open the junction box cover, then pass fixture's AC input wires through junction box.



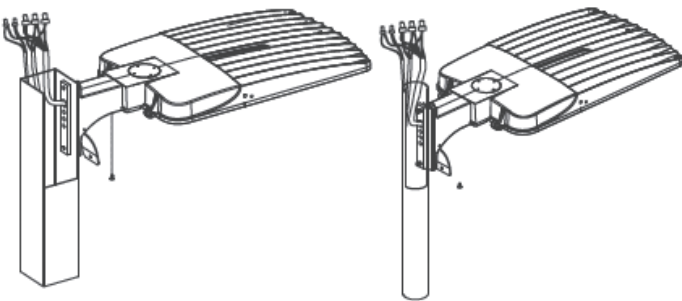
INSTALLATION: Fixed Arm Mount (continued)

STEP 4: When installing to a square or round pole, align the holes of the fixed arm bracket and pole, pass the fixing screws through both holes, then put iron bar inside of pole to attach with fixing screws.

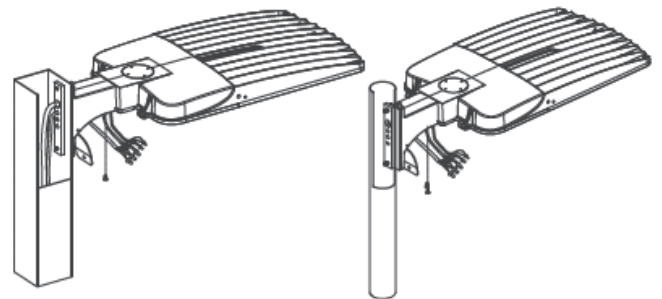


NOTE: When installing to a round pole, remove the rubber gasket.

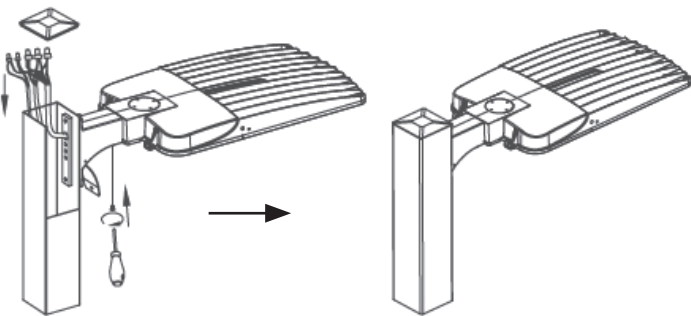
STEP 5A: Pass the fixture's AC input wires through the pole, pull them out together at top of pole and prepare wire connections. Go to STEP 6A.



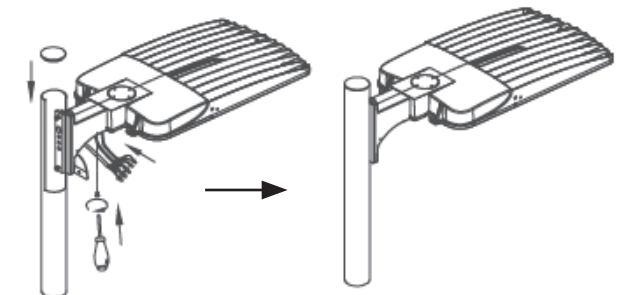
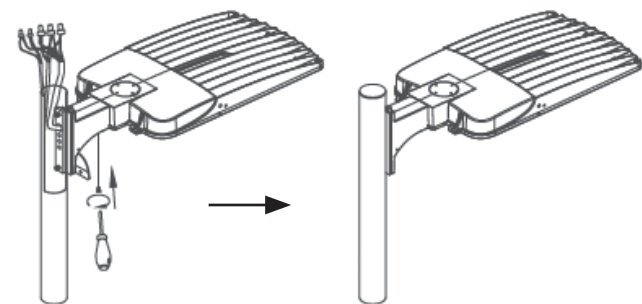
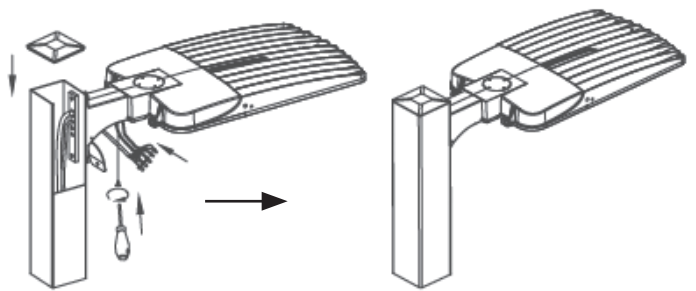
STEP 5B: Pass the pole wires into the fixed arm bracket, pull them out together with fixture's AC wire from junction box. Connect the fixture's AC input wires to pole wires with connectors. L to L (Black), N to N (White), PE to PE (Green). Go to STEP 6B.



STEP 6A: Push the connected wires inside of the pole, close the pole's top cover, then close the junction box cover by tightening the fixing screws.

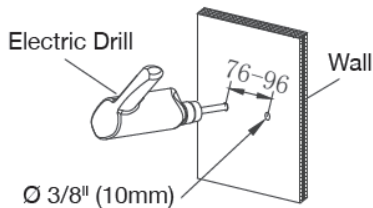


STEP 6B: Push the connected wires into bracket junction box, close the box cover by tightening the fixing screws, then close the poles top cover.

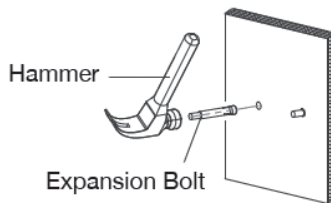


INSTALLATION: Trunnion Mount

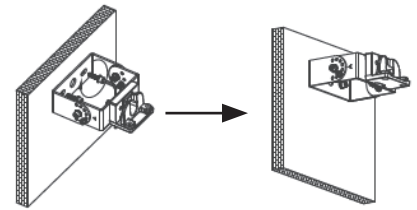
STEP 1: Mark the fixing hole locations on the wall with trunnion bracket, then drill the holes 10mm diameter with an electric drill.



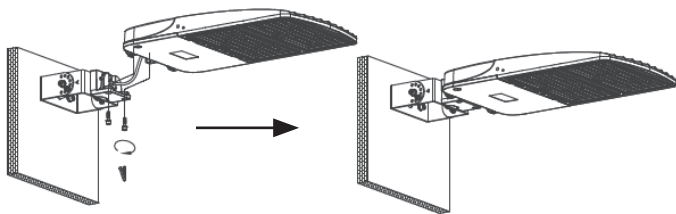
STEP 2: Knock the two expansion bolts into wall with a hammer.



STEP 3: Fix the trunnion bracket on the mounting surface by tightening screws with a wrench.

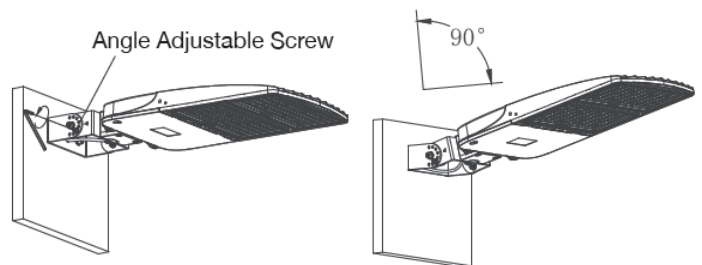


STEP 4: Pass the fixture's AC input wires through the trunnion bracket; then hang the fixture into the trunnion bracket, tighten fixing screws to lock it to trunnion bracket with a wrench.



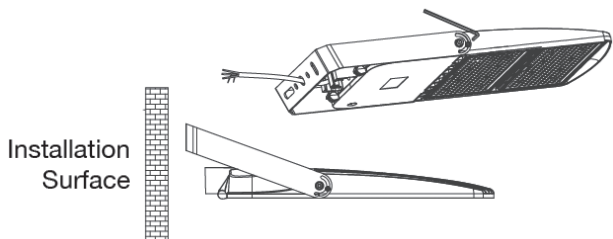
STEP 5: Loosen the angle adjustable screws on both sides of trunnion bracket, rotate fixture to an appropriate angle required and tighten the two screws.

NOTE: The adjustable angel range is 0-90°.

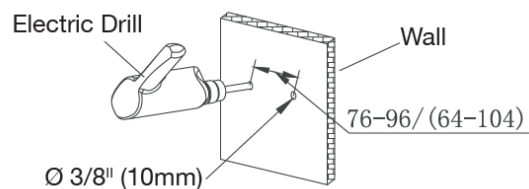


INSTALLATION: Yoke Mount

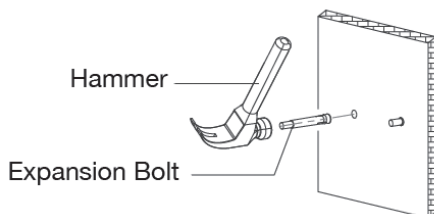
STEP 1: Loosen the screws on both sides of the bracket with a wrench, adjust yoke bracket's angle to keep parallel with its installation surface.



STEP 2: Mark the installing hole locations on the wall with yoke bracket, then drill the holes 10mm diameter with an electric drill.

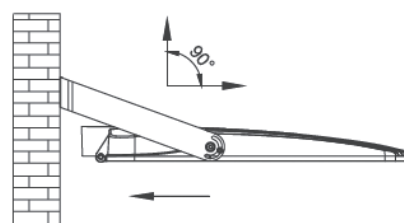


STEP 3: Knock the one expansion bolt into each wall hole with a hammer.



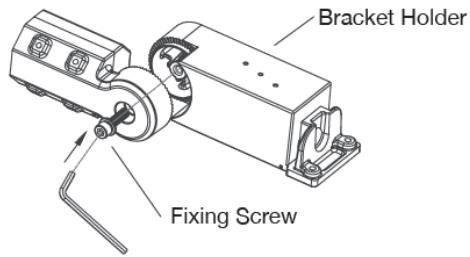
STEP 4: Attach yoke bracket to wall using expansion screw and tighten with a wrench. Connect fixture's AC input wires with connectors. L to L (Black), N to N (White), PE to PE (Green). Tuck wires into junction box.

NOTE: The adjustable angel range is 0-90°.

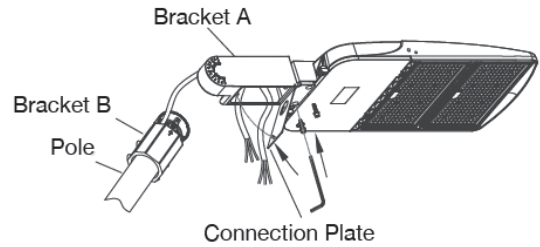


INSTALLATION: Slip-Fitter Long Arm Mount

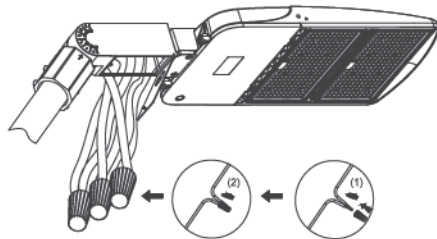
STEP 1: Loosen the fixing screw on the bracket with a wrench to release the bracket holder. Remove the screws from the junction cover of bracket holder.



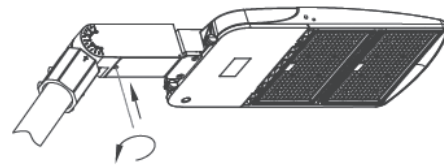
STEP 2: Pass fixture's AC input wires through bracket A and assemble bracket A to the fixture body with screws. Pass the pole wires through bracket B, then assemble bracket B to pole. Pass pole wires from bracket B through bracket A.



STEP 3: Assemble bracket A and bracket B together and fix with screw; adjust the angle needed and tighten screw. Connect fixture's AC input wires with connectors. L to L (Black), N to N (White), PE to PE (Green).



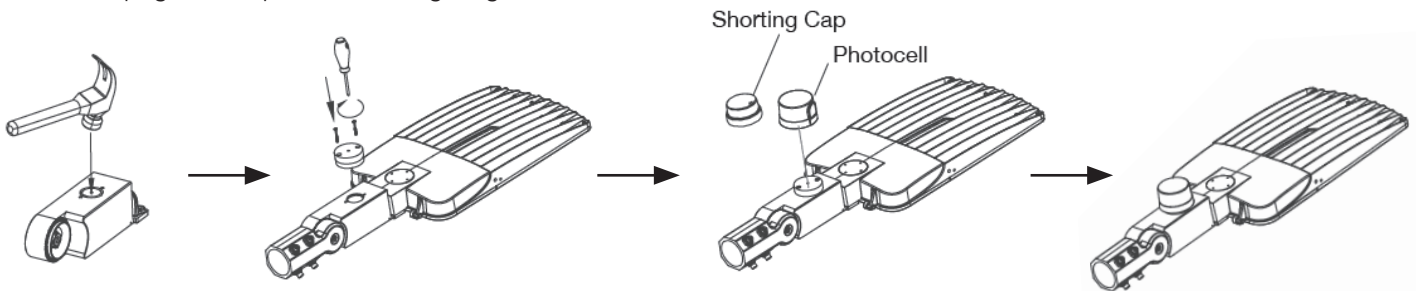
STEP 4: Tuck wires into junction box. Lock the cover back to junction box.



PHOTOCELL INSTALLATION, OPTION 1: Slip-Fitter Long Arm Mount

Punch out the photocell knock-out on the slip-fitter long arm bracket with a hammer. Follow STEPS 1 & 2 above. Install photocell base and waterproof gasket on the slip-fitter long arm bracket, then tighten screws. Screw the photocell and shorting cap into photocell base. Follow STEPS 3 & 4 above to complete installation.

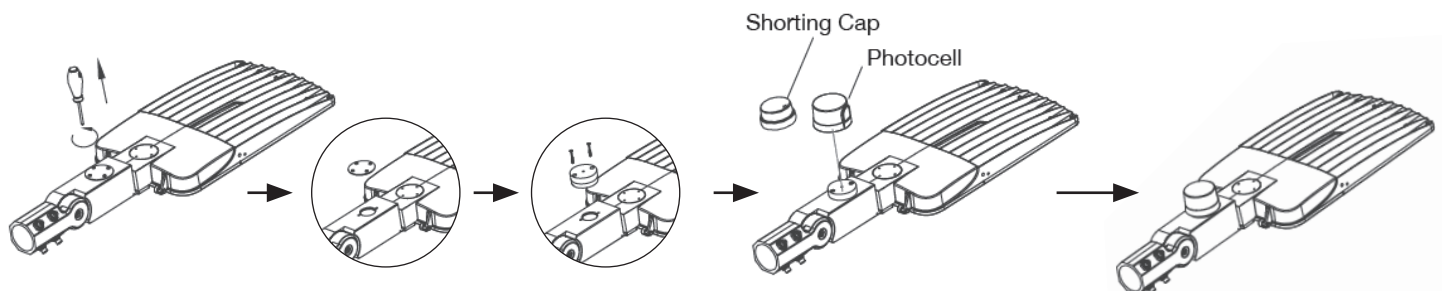
NOTE: See page 10 for photocell wiring diagram.



PHOTOCELL INSTALLATION, OPTION 2: Slip-Fitter Long Arm Mount

Fix the photocell plate to the slip-fitter long arm bracket, unscrew with screwdriver to take off photocell plate. Follow STEPS 1 & 2 above. Install photocell base and waterproof gasket on the slip-fitter long arm bracket, then tighten screws. Screw the photocell and shorting cap into photocell base. Follow STEPS 3 & 4 above to complete installation.

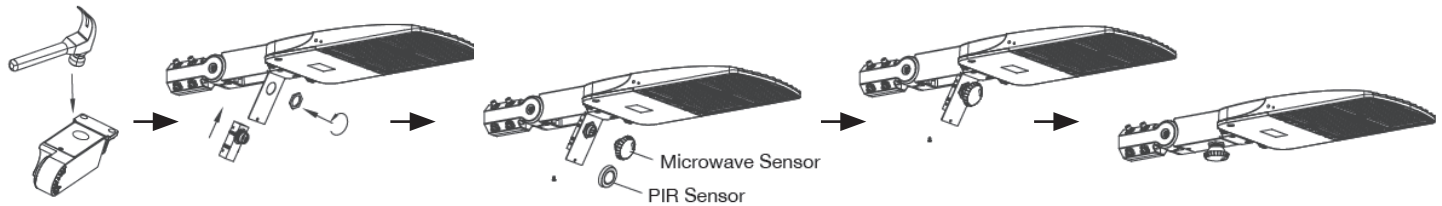
NOTE: See page 10 for photocell wiring diagram.



MOTION SENSOR INSTALLATION: Slip-Fitter Long Arm Mount

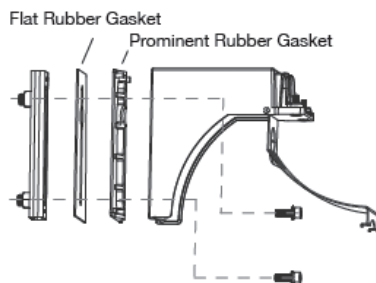
Punch out the motion sensor knock-out on the slip-fitter long arm bracket with a hammer. Follow STEPS 1 & 2 on page 7. Install motion base and waterproof gasket on the slip-fitter long arm bracket, then tighten screws. Screw the microwave or infrared sensor into sensor base. Follow STEPS 3 & 4 on page 7 to complete installation.

NOTE: See page 10 for motion sensor wiring diagram.

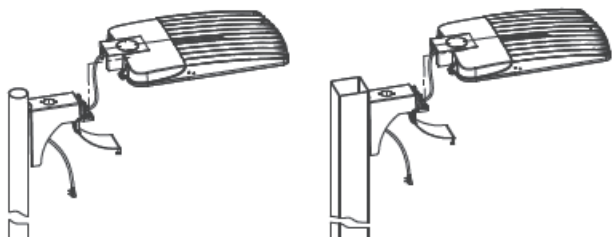


INSTALLATION: Fixed Adapter Arm Mount

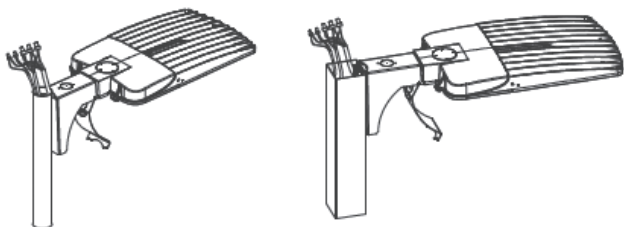
STEP 1: Unscrew the screws with a screwdriver, remove the iron bar, press junction box cover of fixed adapter arm bracket to open it.



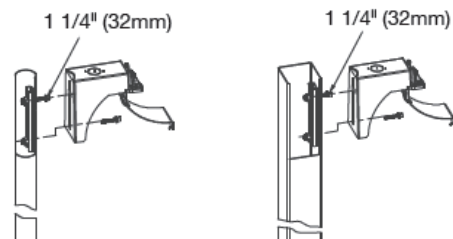
STEP 3: Pass the fixture's AC input wires through the fixed adapter arm bracket.



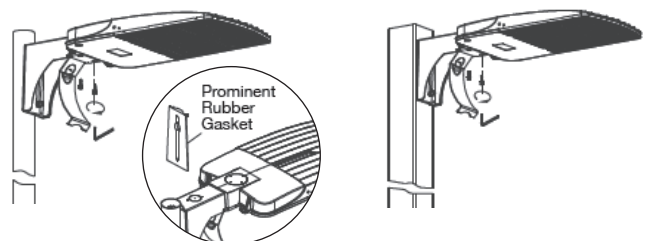
STEP 5A: Pass the fixture's AC input wires through the pole, pull them out together at top of pole and prepare wire connections. Go to STEP 6A on page 9.



STEP 2: Put the iron bar inside of pole, fix it with a screw, but reserve a gap of 32mm, pass the fixed adapter arm bracket through the screw and tighten. Pass the second screw through the hole of fixed adapter arm bracket, pole and iron bar, then tighten with a wrench.

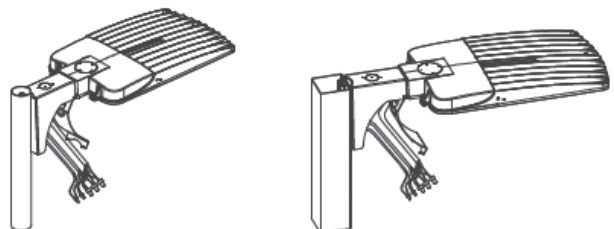


STEP 4: Hang the fixture on fixed adapter arm bracket. Lock the fixture by tightening screws through bracket with an allen wrench.



NOTE: When installing to a round pole, remove the prominent rubber gasket. Keep the flat rubber gasket.

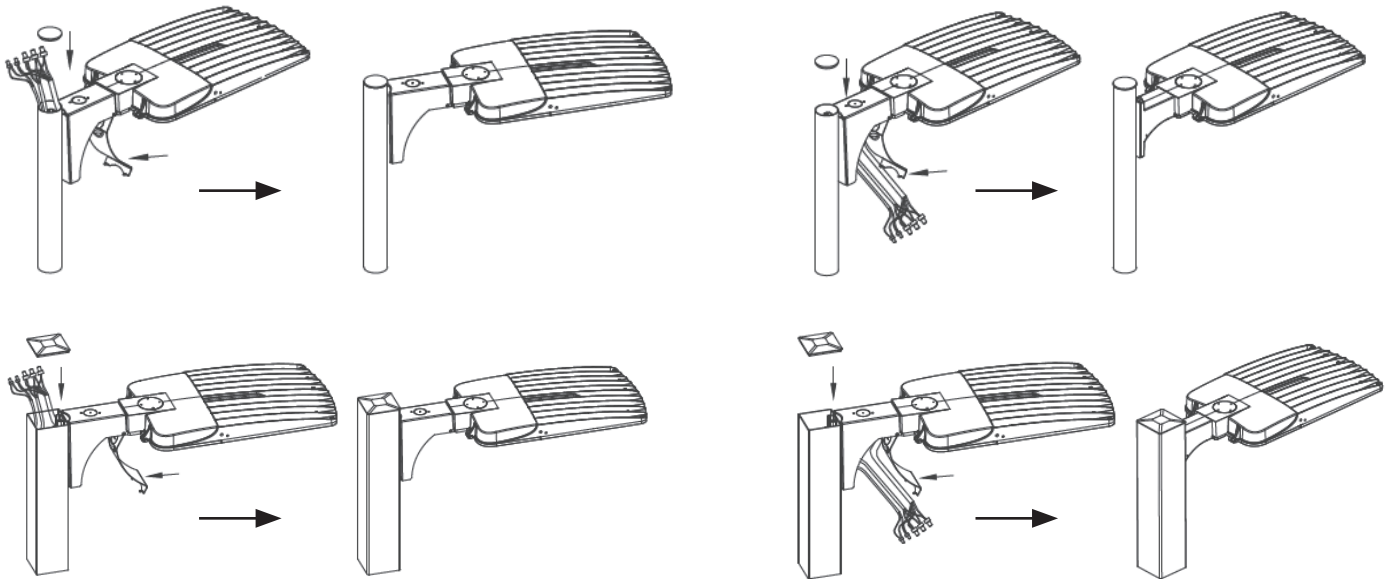
STEP 5B: Pass the pole wires into the fixed adapter arm bracket, pull them out together with fixture's AC wire from junction box. Connect the fixture's AC input wires to pole wires with connectors. L to L (Black), N to N (White), PE to PE (Green). Go to STEP 6B on page 9.



INSTALLATION: Fixed Adapter Arm Mount (continued)

STEP 6A: Push the connected wires inside of the pole, close the pole's top cover, then close the junction box cover.

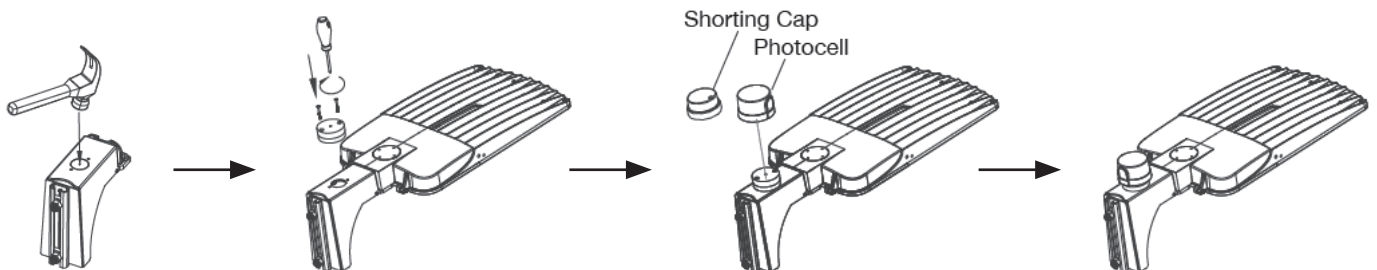
STEP 6B: Push the connected wires into fixed adapter arm junction box, close the box cover, then close the poles top cover.



PHOTOCELL INSTALLATION, OPTION 1: Fixed Adapter Arm Mount

Punch out the photocell knock-out on the fixed adapter arm bracket with a hammer. Follow STEPS 1 – 4 on page 8. Install photocell base and waterproof gasket on the fixed adapter arm bracket, then tighten screws. Screw the photocell and shorting cap into photocell base. Follow STEPS 6A or 6B above to complete installation.

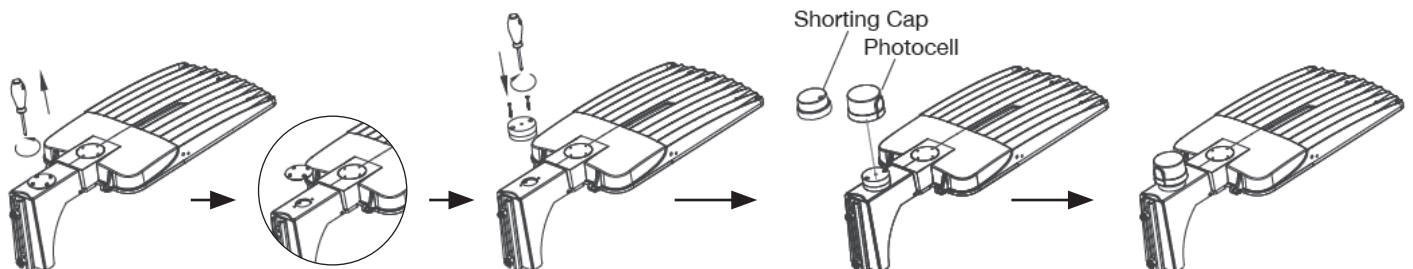
NOTE: See page 10 for photocell wiring diagram.



PHOTOCELL INSTALLATION, OPTION 2: Fixed Adapter Arm Mount

Fix the photocell plate to the fixed adapter arm bracket, unscrew with screwdriver to take off photocell plate. Follow STEPS 1 – 4 on page 8. Install photocell base and waterproof gasket on the fixed adapter arm bracket, then tighten screws. Screw the photocell and shorting cap into photocell base. Follow STEPS 6A or 6B above to complete installation.

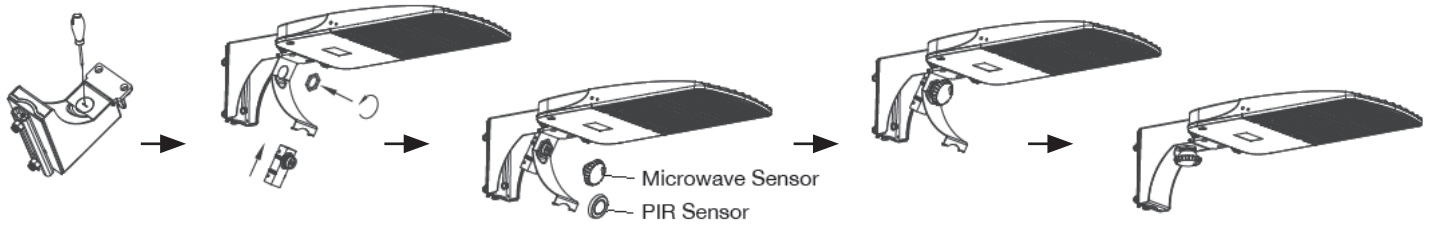
NOTE: See page 10 for photocell wiring diagram.



MOTION SENSOR INSTALLATION: Fixed Adapter Arm Mount

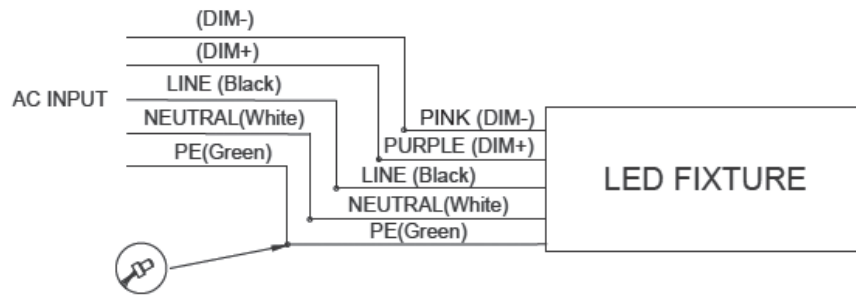
Punch out the photocell knock-out on the fixed adapter arm bracket with a hammer. Follow STEPS 1 – 4 on page 8. Install motion base and waterproof gasket on the fixed adapter arm bracket, then tighten screws. Screw the microwave or infrared sensor into sensor base. Follow STEPS 6A or 6B on page 9 to complete installation.

NOTE: See below for motion sensor wiring diagram.

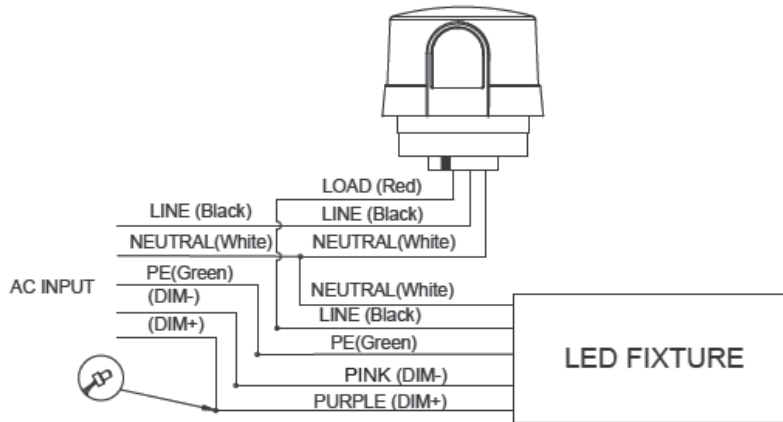


WIRING DIAGRAMS

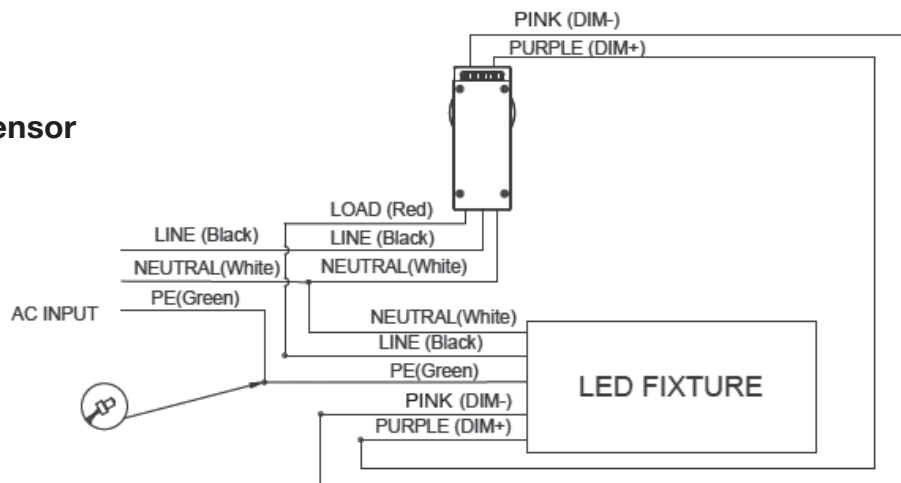
• Without Photocell and Motion Sensor



• With Photocell

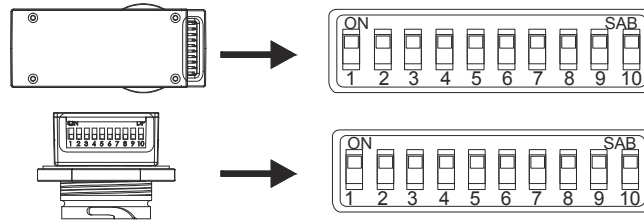


• With Motion Sensor



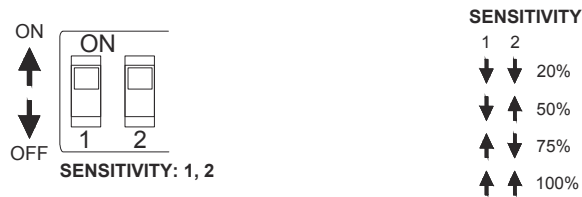
PARAMETER SETTING BY DIP SWITCH

See diagrams below for settings: 1, 2 set Detection Range; 3, 4 set Hold-Time; 5, 6 set Light-Control; 7, 8 set Stand-by Light Level; 9, 10 set Stand-by Time.



Detection Range Setting (Sensitivity)

Detection range is the term used to describe the radius of the more or less circular detection zone produced on the ground after mounting the sensor light at a height of 40ft. Pull switch to the ON position as “↑”, pull switch to the OFF position as “↓”, switch location and detection range is as follows:



Hold-Time Setting

The light can be set to stay ON for any period of time between approximately 10 seconds and a maximum of 60 minutes. Any movement detected before this time elapse will re-start the timer. It is recommended to select the shortest time for adjusting the detection zone and for performing the walk test. Pull switch to the ON position as “↑”, pull switch to the OFF position as “↓”, switch location and detection range is as follows:



Light-Control Setting (Lux)

The chosen light response threshold can be infinite from approximately 10-50 lux. Pull switch to the ON position as “↑”, pull switch to the OFF position as “↓”, switch location and detection range is as follows:



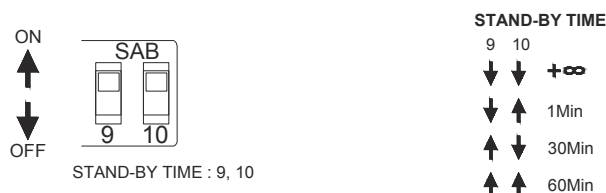
Stand-by Light Level Setting

Pull switch to the ON position as “↑”, pull switch to the OFF position as “↓”, the corresponding switch location and detection range is as follows:



Stand-by Time Setting

Pull switch to the ON position as “↑”, pull switch to the OFF position as “↓”, the corresponding switch location and duration range is as follows:



ESPAÑOL:

INSTRUCCIONES DE INSTALACIÓN Y SEGURIDAD

IMPORTANTE: Lea esto antes de instalar el accesorio. Consérvelo para referencia futura.

ADVERTENCIA

- Para reducir el riesgo de lesiones personales o daños a la propiedad a causa de incendio, descarga eléctrica, piezas que caen, cortes/abrasiones y otros peligros, lea todas las advertencias e instrucciones incluidas con y en el accesorio y todas las etiquetas del accesorio.
- Un técnico certificado calificado debe realizar la instalación comercial, el servicio y el mantenimiento de luminarias. Para la instalación: Si no está seguro sobre la instalación o el mantenimiento de las luminarias, consulte con un electricista calificado y revise su código eléctrico local.
- Desconecte la alimentación eléctrica del fusible o el disyuntor antes de cablear el accesorio a la alimentación.
- Desconecte la alimentación cuando realice mantenimiento.
- Todas las conexiones deben estar cerradas con conectores de cableado aprobados por el UL.
- Verifique que el voltaje de suministro sea correcto al compararlo con la información de la etiqueta de la luminaria.
- No instale en un entorno peligroso, excepto donde la temperatura ambiental no exceda la temperatura de funcionamiento nominal del dispositivo.
- Mantener bien cerrado mientras esté en funcionamiento.
- Se puede utilizar para la instalación en exteriores.

INSTRUCCIONES

- Este producto cuenta con una función de atenuación de luminosidad y sin atenuación de luminosidad, que tiene formas de instalación distintas.
- La función de atenuación de luminosidad que está disponible para esta luminaria es la atenuación de luminosidad de 1-10 VCC.
- Elija la conexión de cables, las variaciones de atenuación de luminosidad e instalación, de acuerdo con sus necesidades y la luminaria comprada.

INSTALACIÓN: Montaje de Soporte Deslizante (Consulte los diagramas de la página 3)

PASO 1: Desatornille para retirar la cubierta de la caja de conexiones del soporte deslizante, pase los cables desde el poste a través del soporte deslizante.

PASO 2: Ensamble el soporte deslizante en el poste, ajuste los tornillos de fijación con una llave para bloquearlos.

PASO 3: Pase de los cables de la luminaria a través del soporte deslizante hacia la caja de conexiones.

PASO 4: Cuelgue el cuerpo de la luminaria del soporte deslizante, después, ajuste los tornillos de fijación con una llave para bloquear el cuerpo de la luminaria.

PASO 5: Conecte los cables desde el poste a los cables de entrada CA de la luminaria, L a L (negro-negro), N a N (blanco-blanco), PE a PE (verde-verde); si lo desea, conecte los cables del atenuador. Use los conectores para conectar la [Atenuación +] a la [Atenuación +] de la luminaria (morado), [Atenuación -] a la [Atenuación -] de la luminaria (rosa), después, por lo que todos los cables dentro de la caja de conexiones.

PASO 6: Vuelva a instalar la cubierta en la caja de conexiones, ajuste el tornillo con una llave.

INSTALACIÓN: Montaje del Brazo Ajustable (Consulte los diagramas de la página 4)

PASO 1: Desatornille para quitar la cubierta de la caja de conexiones del soporte del brazo ajustable, pase los cables desde el poste hasta el brazo ajustable.

PASO 2: Ensamble el soporte del brazo ajustable en el poste, ajuste los tornillos de fijación con una llave para bloquearlos.

PASO 3: Pase de los cables de la luminaria a través del soporte del brazo ajustable hacia la caja de conexiones.

PASO 4: Cuelgue el cuerpo de la luminaria del brazo ajustable, después, ajuste los tornillos de fijación con una llave para bloquear el cuerpo de la luminaria.

PASO 5: Conecte los cables desde el poste a los cables de entrada CA de la luminaria, L a L (negro-negro), N a N (blanco-blanco), PE a PE (verde-verde); si lo desea, conecte los cables del atenuador. Use los conectores para conectar la [Atenuación +] a la [Atenuación +] de la luminaria (morado), [Atenuación -] a la [Atenuación -] de la luminaria (rosa), después, por lo que todos los cables dentro de la caja de conexiones.

PASO 6: Vuelva a instalar la cubierta en la caja de conexiones, ajuste el tornillo con una llave.

INSTALACIÓN: Montaje del Brazo Fijo (Consulte los diagramas de las páginas 4-5)

PASO 1: Afloje y retire los tornillos del soporte del brazo fijo, abra la cubierta de la caja de conexiones; pase los cables de entrada CA de la luminaria a través del soporte.

PASO 2: Ensamble el soporte del brazo fijo en el cuerpo de la luminaria ajustando los tornillos de fijación con una llave.

PASO 3: Retire los tornillos con un destornillador, coloque la barra de hierro a un lado, retire los tornillos de fijación para abrir la cubierta de la caja de conexiones, después, pase los cables de entrada CA de la luminaria a través de la caja de conexiones.

PASO 4: Al instalar en un poste cuadrado o redondo, alinee los orificios del soporte del brazo fijo y el poste, pase los tornillos de fijación a través de ambos orificios, después, coloque la barra de hierro dentro del poste para fijarla con dos tornillos de fijación. NOTA: Al instalar en un poste redondo, retire la junta de goma.

PASO 5A: Pasen los cables de entrada CA de la luminaria a través del poste, tire de ellos al mismo tiempo hasta la parte superior del poste y prepare las conexiones de los cables. Vaya al PASO 6A.

PASO 5B: Pase los cables del poste hacia el soporte del brazo fijo, tire de ellos al mismo tiempo junto con el cable CA de la luminaria desde la caja de conexiones. Conecte los cables de entrada CA de la luminaria a los cables del poste mediante los conectores. L a L (negro), N a N (blanco), PE a PE (verde). Vaya al PASO 6B.

PASO 6A: Empuje los cables conectados al interior del poste, cierre la cubierta superior del poste, después, cierre la cubierta de la caja de conexiones ajustando los tornillos de fijación.

PASO 6B: Empuje los cables conectados al interior del poste, cierre la cubierta superior del poste, después, cierre la cubierta de la caja de conexiones ajustando los tornillos de fijación.

INSTALACIÓN: Montaje del Muñón (Consulte los diagramas en la página 6)

PASO 1: Marque en la pared donde se ubica el orificio de fijación usando el soporte del muñón, después, con un taladro eléctrico perfora orificios de 10 mm de diámetro.

PASO 2: Con un martillo golpee los dos pernos de expansión en la pared para insertarlos.

PASO 3: Fije el soporte del muñón en la superficie de montaje ajustando los tornillos con una llave.

PASO 4: Pase los cables de entrada CA de la luminaria a través del soporte del muñón; después, cuelgue la luminaria del soporte del muñón, ajuste con una llave los tornillos de fijación para bloquearlos con respecto al soporte del muñón.

PASO 5: Afloje los tornillos con ángulo ajustable en ambos lados del soporte del muñón, gire la luminaria hasta el ángulo apropiado requerido y ajuste los dos tornillos. NOTA: El ángulo ajustable es de 0 a 90°.

INSTALACIÓN: Montaje de la Unión (Consulte los diagramas en la página 6)

PASO 1: Afloje los tornillos en ambos lados del soporte mediante una llave, ajuste el ángulo del soporte de la unión para mantenerlo paralelo con respecto a la superficie de instalación.

PASO 2: Marque en la pared donde se ubica el orificio de instalación usando el soporte de la unión, después, con un taladro eléctrico perfora orificios de 10 mm de diámetro.

PASO 3: Con un martillo golpee un perno de expansión en cada orificio en la pared para insertarlo.

PASO 4: Fije el soporte de la unión a la pared usando el tornillo de expansión y ajuste con una llave. Conecte los cables de entrada CA de la luminaria mediante los conectores. L a L (negro), N a N (blanco), PE a PE (verde). Meta los cables en la caja de conexiones. NOTA: El ángulo ajustable es de 0 a 90°.

INSTALACIÓN: Montaje del Brazo Largo del Soporte Deslizante (Consulte los diagramas en las páginas 7-8)

PASO 1: Afloje el tornillo de fijación del soporte con una llave para liberar el sujetador del soporte. Retire los tornillos de la cubierta de conexiones del sujetador del soporte.

PASO 2: Pase los cables de entrada de CA de la luminaria a través del soporte A y ensamble el soporte A al cuerpo de la luminaria usando los tornillos. Pase los cables del poste a través del soporte B, después, ensamble el soporte B al poste. pase los cables del poste desde el soporte B a través del soporte A.

PASO 3: Ensamble el soporte A y el soporte B entre sí y fíjelos con un tornillo; ajuste el ángulo necesario y ajuste el tornillo. Conecte los cables de entrada CA de la luminaria mediante los conectores. L a L (negro), N a N (blanco), PE a PE (verde).

PASO 4: Meta los cables en la caja de conexiones. Fije nuevamente la cubierta a la caja de conexiones.

INSTALACIÓN DE LA FOTOCÉLULA, OPCIÓN 1: Montaje del Brazo Largo del Soporte Deslizante (Consulte los diagramas en la página 7)

Perfore el troquel de la fotocélula en el soporte del brazo largo del soporte deslizante usando un martillo. Siga los PASOS 1 y 2 anteriores. Instale la base y la junta hermética de la fotocélula en el soporte del brazo largo del soporte deslizante, después, ajuste los tornillos. Atornille la fotocélula y la tapa de cortocircuito a la base de la fotocélula. Sigán los PASOS 3 y 4 anteriores para completar la instalación. NOTA: Consulte la página 10 para ver el diagrama de cableado de la fotocélula.

INSTALACIÓN DE LA FOTOCÉLULA, OPCIÓN 2: Montaje del Brazo Largo del Soporte Deslizante (Consulte los diagramas en la página 7)

Fije la placa de la fotocélula al soporte del brazo largo del soporte deslizante, desatornille con un destornillador para retirar la placa de la fotocélula. Siga los PASOS 1 y 2 anteriores. Instale la base y la junta hermética de la fotocélula en el soporte del brazo largo del soporte deslizante, después, ajuste los tornillos. Atornille la fotocélula y la tapa de cortocircuito a la base de la fotocélula. Sigán los PASOS 3 y 4 anteriores para completar la instalación. NOTA: Consulte la página 10 para ver el diagrama de cableado de la fotocélula.

INSTALACIÓN DEL SENSOR DE MOVIMIENTO: Montaje del Brazo Largo del Soporte Deslizante (Consulte los diagramas en la página 8)

Perfore el troquel del sensor de movimiento en el soporte del brazo largo del soporte deslizante usando un martillo. Siga los PASOS 1 y 2 anteriores. Instale la base y la junta hermética del sensor de movimiento en el soporte del brazo largo del soporte deslizante, después, ajuste los tornillos. Atornille el sensor de microondas o infrarrojo a la base del sensor. Sigán los PASOS 3 y 4 anteriores para completar la instalación. NOTA: Consulte la página 10 para ver el diagrama de cableado del sensor de movimiento.

INSTALACIÓN: Montaje del Brazo del Adaptador Fijo (Consulte los diagramas de las páginas 8-9)

PASO 1: Desatornille los tornillos con un destornillador, retire la barra de hierro, presione la cubierta de la caja de conexiones del soporte del brazo del adaptador fijo para abrirla.

PASO 2: Coloque la barra de hierro dentro del poste, fíjela con un tornillo, pero deje un espacio de 32 mm, pase el soporte del brazo del adaptador fijo a través del tornillo y ajuste. Pase el segundo tornillo a través del orificio del soporte del brazo del adaptador fijo, el poste y la barra de hierro, después, ajuste con una llave.

PASO 3: Pase los cables de entrada CA de la luminaria a través del soporte del brazo del adaptador fijo.

PASO 4: Cuelgue la luminaria del soporte del brazo del adaptador fijo. Fije la luminaria ajustando los tornillos que atraviesan el soporte con una llave Allen. NOTA: Al instalar en un poste redondo, retire la junta de goma que sobresale. Mantenga plana la junta de goma.

PASO 5A: Pasen los cables de entrada CA de la luminaria a través del poste, tire de ellos al mismo tiempo hasta la parte superior del poste y prepare las conexiones de los cables. Vaya al PASO 6A.

PASO 5B: Pase los cables del poste hacia el soporte del brazo del adaptador fijo, tire de ellos al mismo tiempo junto con el cable CA de la luminaria desde la caja de conexiones. Conecte los cables de entrada CA de la luminaria a los cables del poste mediante los conectores. L a L (negro), N a N (blanco), PE a PE (verde). Vaya al PASO 6B.

PASO 6A: Empuje los cables conectados al interior del poste, cierre la cubierta superior del poste, después, cierre la cubierta de la caja de conexiones.

PASO 6B: Empuje los cables conectados al interior de la caja de conexiones del brazo del adaptador fijo, cierre la cubierta de la caja, después, cierre la cubierta superior de los postes.

INSTALACIÓN DE LA FOTOCÉLULA, OPCIÓN 1: Montaje del Brazo del Adaptador Fijo (Consulte los diagramas de la página 9)

Perfore el troquel de la fotocélula en el soporte del brazo del adaptador fijo usando un martillo. Siga los PASOS 1 a 4 anteriores. Instale la base y la junta hermética de la fotocélula en el soporte del brazo del adaptador fijo, después, ajuste los tornillos. Atornille la fotocélula y la tapa de cortocircuito a la base de la fotocélula. Siga los PASOS 6A o 6B anteriores para completar la instalación. NOTA: Consulte la página 10 para ver el diagrama de cableado de la fotocélula.

INSTALACIÓN DE LA FOTOCÉLULA, OPCIÓN 2: Montaje del Brazo del Adaptador Fijo (Consulte los diagramas de la página 9)

Fije la placa de la fotocélula al soporte del brazo del adaptador fijo, desatornille con un destornillador para retirar la placa de la fotocélula. Siga los PASOS 1 a 4 anteriores. Instale la base y la junta hermética de la fotocélula en el soporte del brazo del adaptador fijo, después, ajuste los tornillos. Atornille la fotocélula y la tapa de cortocircuito a la base de la fotocélula. Siga los PASOS 6A o 6B anteriores para completar la instalación. NOTA: Consulte la página 10 para ver el diagrama de cableado de la fotocélula.

INSTALACIÓN DEL SENSOR DE MOVIMIENTO: Montaje del Brazo del Adaptador Fijo (Consulte los diagramas de la página 10)

Perfore el troquel de la fotocélula en el soporte del brazo del adaptador fijo usando un martillo. Siga los PASOS 1 a 4 anteriores. Instale la base y la junta hermética del sensor de movimiento en el soporte del brazo del adaptador fijo, después, ajuste los tornillos. Atornille el sensor de microondas o infrarrojo a la base del sensor. Siga los PASOS 6A o 6B anteriores para completar la instalación. NOTA: Consulte a continuación para ver el diagrama de cableado del sensor de movimiento.

CONFIGURACIÓN DE PARÁMETROS MEDIANTE UN INTERRUPTOR DIP (Consulte los diagramas de la página 11)

Consulte los diagramas para ver la configuración: 1, 2 configurar el Rango de detección; 3, 4 configurar el Tiempo de retención; 5, 6 configurar el Control de luz; 7, 8 configurar el Nivel de la luz de espera; 9, 10 configurar el Tiempo de espera.

Configurar el Rango de Detección (Sensibilidad)

Rango de detección es un término que se utiliza para describir el radio de la zona de detección más o menos circular que se genera sobre el terreno después de montar la luz del sensor a una altura de 40 ft. Coloque el interruptor en la posición ON (encendido) "▲", coloque el interruptor en la posición OFF (apagado) "▼", la ubicación del interruptor y el rango de detección son los siguientes: (consulte los diagramas en la página 11).

Configurar el Tiempo de Retención

Se puede configurar que la luz permanezca encendida por cualquier periodo de tiempo entre aproximadamente 10 segundos y un máximo de 60 minutos. Cualquier movimiento que se detecte antes de que transcurra este tiempo volverá a iniciar el temporizador. Se recomienda seleccionar el tiempo más corto para ajustar la zona de detección y llevar a cabo una prueba de caminata. Coloque el interruptor en la posición ON (encendido) "▲", coloque el interruptor en la posición OFF (apagado) "▼", la ubicación del interruptor y el rango de detección son los siguientes: (consulte los diagramas en la página 11).

Configurar el Control de Luz (Nivel de Iluminación)

El umbral de respuesta de los elegidos puede ser infinito desde un nivel de iluminación aproximado entre 10-50. Coloque el interruptor en la posición ON (encendido) "▲", coloque el interruptor en la posición OFF (apagado) "▼", la ubicación del interruptor y el rango de detección son los siguientes: (consulte los diagramas en la página 11).

Configurar el Nivel de la Luz de Espera

Coloque el interruptor en la posición ON (encendido) "▲", coloque el interruptor en la posición OFF (apagado) "▼", la ubicación del interruptor y el rango de detección correspondientes son los siguientes: (consulte los diagramas en la página 11).

Configurar el Tiempo de Espera

Coloque el interruptor en la posición ON (encendido) "▲", coloque el interruptor en la posición OFF (apagado) "▼", la ubicación del interruptor y el rango de duración correspondientes son los siguientes: (consulte los diagramas en la página 11).

LED AREA LIGHT, 277-480V

FRANCAIS:

Modèles: 65-860, 65-861, 65-862, 65-863, 65-864,
65-865, 65-866, 65-867, 65-868, 65-869

INSTRUCTIONS SUR L'INSTALLATION ET LA SÉCURITÉ

IMPORTANT: Lisez avant d'installer le luminaire. Conservez à titre de référence.

AVERTISSEMENT

- Pour réduire les risques de lésions corporelles ou de dommages matériels pour cause d'incendie, de décharge électrique, de chute de débris, de coupures/d'abrasions et autres dangers, lisez tous les avertissements et instructions compris avec ou indiqués sur le luminaire, ainsi que toutes les étiquettes.
- Seul un électricien agréé qualifié doit installer, réparer et entretenir les luminaires. Pour installer: En cas d'incertitude quant à l'installation ou à l'entretien des luminaires, consultez un électricien agréé qualifié et le code de l'électricité local.
- Débranchez l'énergie électrique au coffret à fusibles ou au disjoncteur avant de brancher le luminaire à l'alimentation.
- Débranchez l'énergie électrique pour faire l'entretien.
- Tous les raccordements doivent être bouclés avec des capuchons de connexion approuvés par UL.
- Assurez-vous que la tension de l'alimentation est juste en la comparant aux renseignements sur l'étiquette du luminaire.
- N'installez pas dans une atmosphère dangereuse à part là où la température ambiante ne dépasse pas la température de fonctionnement nominale du luminaire.
- Gardez bien fermé en cours de fonctionnement.
- Peut être utilisé à l'extérieur.

INSTRUCTIONS

- Ce produit compte une fonction de gradation et de non-gradation, ce qui influence l'installation.
- La fonction de gradation disponible pour ce luminaire est de 1 à 10 VCC.
- Choisissez la connexion filaire ainsi que les variations de gradation et d'installation selon vos besoins et le luminaire acheté.

INSTALLATION: Support à Raccord Lisse (Voir les diagrammes à la page 3)

ÉTAPE 1: Dévissez et retirez le couvercle de la boîte de jonction du support à raccord lisse et faites passer les fils de la pôle à travers le support à raccord lisse.

ÉTAPE 2: Assemblez le support à raccord lisse sur la pôle et serrez les vis de fixation pour verrouiller avec une clé.

ÉTAPE 3: Faites passer les fils du luminaire à travers le support à raccord lisse dans la boîte de jonction.

ÉTAPE 4: Accrochez le corps du luminaire sur le support à raccord lisse, puis serrez les vis de fixation pour verrouiller le corps du luminaire avec une clé.

ÉTAPE 5: Connectez les fils de la pôle aux fils d'entrée c.a. du luminaire, L à L (noir-noir), N à N (blanc-blanc) et PE à PE (vert-vert); connectez les fils de gradation, au besoin. Utilisez les connecteurs pour connecter [Dim +] à [Dim +] (pourpre) du luminaire, [Dim -] à [Dim -] (rose) du luminaire, puis mettez tous les fils dans la boîte de jonction.

ÉTAPE 6: Réinstallez le couvercle sur la boîte de jonction et serrez la vis avec une clé.

INSTALLATION: Support à Bras Réglable (Voir les diagrammes à la page 4)

ÉTAPE 1: Dévissez et retirez le couvercle de la boîte de jonction du support à bras réglable et faites passer les fils de la pôle à travers le bras réglable.

ÉTAPE 2: Assemblez le support à bras réglable sur la pôle et serrez les vis de fixation pour verrouiller avec une clé.

ÉTAPE 3: Faites passer les fils du luminaire à travers le support à bras réglable dans la boîte de jonction.

ÉTAPE 4: Accrochez le corps du luminaire sur le support à bras réglable, puis serrez les vis de fixation pour verrouiller le corps du luminaire avec une clé.

ÉTAPE 5: Connectez les fils de la pôle aux fils d'entrée c.a. du luminaire, L à L (noir-noir), N à N (blanc-blanc) et PE à PE (vert-vert); connectez les fils de gradation, au besoin. Utilisez les connecteurs pour connecter [Dim +] à [Dim +] (pourpre) du luminaire, [Dim -] à [Dim -] (rose) du luminaire, puis mettez tous les fils dans la boîte de jonction.

ÉTAPE 6: Réinstallez le couvercle sur la boîte de jonction et serrez la vis avec une clé.

INSTALLATION: Support à Bras Fixe (Voir les diagrammes aux pages 4-5)

ÉTAPE 1: Desserrez et retirez les vis du support à bras fixe, ouvrez le couvercle de la boîte de jonction et faites passer les fils d'entrée c.a. à travers le support.

ÉTAPE 2: Assemblez le support à bras fixe au corps du luminaire en serrant les vis de fixation avec une clé.

ÉTAPE 3: Retirez les vis avec un tournevis, placez la barre de fer à l'intérieur, retirez les vis de fixation pour ouvrir le couvercle de la boîte de jonction, puis faites passer les fils d'entrée c.a. du luminaire à travers la boîte de jonction.

ÉTAPE 4: Lorsque vous installez une pôle carrée ou ronde, alignez les trous du support à bras fixe et de la pôle, faites passer les vis de fixation à travers les deux trous, puis mettez la barre de fer à l'intérieur de la pôle et utilisez les vis de fixation. REMARQUE: Lorsque vous installez une pôle ronde, retirez le joint en caoutchouc.

ÉTAPE 5A: Faites passer les fils d'entrée c.a. du luminaire à travers la pôle, puis sortez-les ensemble du haut de la pôle et préparez la connexion des fils. Passez à l'ÉTAPE 6A.

ÉTAPE 5B: Faites passer les fils de la pôle à travers le support à bras fixe et sortez-les ensemble avec le fil c.a. du luminaire de la boîte de jonction. Connectez les fils d'entrée c.a. du luminaire aux fils de la pôle avec les connecteurs. L à L (noir), N à N (blanc), PE à PE (vert). Passez à l'ÉTAPE 6B.

ÉTAPE 6A: Poussez les fils connectés dans la pôle, fermez le couvercle supérieur de la pôle, puis fermez le couvercle de la boîte de jonction en serrant les vis de fixation.

ÉTAPE 6B: Poussez les fils connectés dans le support de la boîte de jonction, fermez le couvercle de la boîte en serrant les vis de fixation, puis fermez le couvercle supérieur de la pôle.

INSTALLATION: Support à Tourillon (Voir les diagrammes à la page 6)

ÉTAPE 1: Marquez l'emplacement des trous de fixation sur le mur avec le support à tourillon, puis percez des trous de 10 mm de diamètre avec une perceuse électrique.

ÉTAPE 2: Faites entrer deux boulons à expansion dans le mur avec un marteau.

ÉTAPE 3: Fixez le support à tourillon sur la surface d'installation en serrant les vis avec une clé.

ÉTAPE 4: Faites passer les fils d'entrée c.a. du luminaire à travers le support à tourillon, puis accrochez le luminaire sur le support à tourillon et serrez avec les vis de fixation pour le verrouiller au support à tourillon avec une clé.

ÉTAPE 5: Desserrez les vis à angle réglable des deux côtés du support à tourillon, faites pivoter à un angle approprié requis et serrez les deux vis. REMARQUE: L'angle est réglable de 0 à 90°.

INSTALLATION: Support à Berceau (Voir les diagrammes à la page 6)

ÉTAPE 1: Desserrez la vis des deux côtés du support avec une clé et réglez l'angle du support pour le garder parallèle à la surface d'installation.

ÉTAPE 2: Marquez l'emplacement des trous d'installation sur le mur avec le support à berceau, puis percez des trous de 10 mm de diamètre avec une perceuse électrique.

ÉTAPE 3: Faites entrer un boulon à expansion dans chaque trou dans le mur avec un marteau.

ÉTAPE 4: Fixez le support à berceau au mur avec une vis à expansion et serrez avec une clé. Connectez les fils d'entrée c.a. du luminaire avec les connecteurs. L à L (noir), N à N (blanc), PE à PE (vert). Rentrez les fils dans la boîte de jonction. REMARQUE: L'angle est réglable de 0 à 90°.

INSTALLATION: Support à Bras Long à Raccord Lisse (Voir les diagrammes aux pages 7 et 8)

ÉTAPE 1: Desserrez la vis de fixation du support avec une clé pour libérer le support de fixation. Retirez les vis du couvercle de la boîte de jonction du support de fixation.

ÉTAPE 2: Faites passer les fils d'entrée c.a. à travers le support A et assemblez le support A au corps du luminaire avec les vis. Faites passer les fils de la pôle à travers le support B, puis assemblez le support B à la pôle. Faites passer les fils de la pôle du support B à travers le support A.

ÉTAPE 3: Assemblez le support A et le support B ensemble et fixez avec une vis; réglez l'angle requis et serrez la vis. Connectez les fils d'entrée c.a. du luminaire avec les connecteurs. L à L (noir), N à N (blanc), PE à PE (vert).

ÉTAPE 4: Rentrez les fils dans la boîte de jonction. Verrouillez le couvercle sur la boîte de jonction.

INSTALLATION DE LA PHOTOCELLULE, OPTION 1: Support à Bras Long à Raccord Lisse (Voir les diagrammes à la page 7)

Défoncez la débouchure de la photocellule sur le support à bras long à raccord lisse avec un marteau. Suivez les ÉTAPES 1 et 2 ci-dessus.

Installez la base de la photocellule et le joint étanche sur le support à bras long à raccord lisse et serrez les vis. Vissez la photocellule et le capuchon de court-circuitage dans la base de la photocellule. Suivez les ÉTAPES 3 et 4 ci-dessus pour achever l'installation. REMARQUE: Voir la page 10 pour le schéma de câblage de la photocellule.

INSTALLATION DE LA PHOTOCELLULE, OPTION 2: Support à Bras Long à Raccord Lisse (Voir les diagrammes à la page 7)

Fixez la plaque de la photocellule sur le support à bras long à raccord lisse et dévissez avec un tournevis pour retirer la plaque de la photocellule.

Suivez les ÉTAPES 1 et 2 ci-dessus. Installez la base de la photocellule et le joint étanche sur le support à bras long à raccord lisse et serrez les vis. Vissez la photocellule et le capuchon de court-circuitage dans la base de la photocellule. Suivez les ÉTAPES 3 et 4 ci-dessus pour achever l'installation. REMARQUE: Voir la page 10 pour obtenir le schéma de câblage de la photocellule.

INSTALLATION DU CAPTEUR DE MOUVEMENT: Support à Bras Long à Raccord Lisse (Voir les diagrammes à la page 8)

Défoncez la débouchure du capteur de mouvement sur le support à bras long à raccord lisse avec un marteau. Suivez les ÉTAPES 1 et 2 ci-dessus. Installez la base du capteur de mouvement et le joint étanche sur le support à bras long à raccord lisse et serrez les vis. Vissez le capteur à micro-ondes ou à infrarouge dans la base du capteur. Suivez les ÉTAPES 3 et 4 ci-dessus pour achever l'installation. REMARQUE: Voir la page 10 pour le schéma de câblage du capteur de mouvement.

INSTALLATION: Support à Bras à Adaptateur Fixe (Voir les diagrammes aux pages 8-9)

ÉTAPE 1: Dévissez les vis avec un tournevis, retirez la barre et appuyez sur le couvercle de la boîte de jonction du support à bras à adaptateur fixe pour l'ouvrir.

ÉTAPE 2: Mettez la barre en fer à l'intérieur, fixez-la avec une vis, mais laissez un espace de 32 mm, puis faites passer le support à bras à adaptateur fixe à travers la vis et serrez. Faites passer la deuxième vis à travers le trou du support à bras à adaptateur fixe, la pôle et la barre en fer, puis serrez avec une clé.

ÉTAPE 3: Faites passer les fils d'entrée c.a. du luminaire à travers le support à bras à adaptateur fixe.

ÉTAPE 4: Accrochez le luminaire sur le support à bras à adaptateur fixe. Verrouillez le luminaire en serrant les vis à travers le support avec une clé hexagonale. REMARQUE: Lorsque vous installez une pôle ronde, retirez le joint en caoutchouc saillant. Conservez le joint en caoutchouc plat.

ÉTAPE 5A: Faites passer les fils d'entrée c.a. du luminaire à travers la pôle, puis sortez-les ensemble en haut de la pôle et préparez la connexion des fils. Passez à l'ÉTAPE 6A.

ÉTAPE 5B: Faites passer les fils de la pôle à travers le support à bras à adaptateur fixe et sortez-les ensemble avec le fil c.a. du luminaire de la boîte de jonction. Connectez les fils d'entrée c.a. du luminaire aux fils de la pôle avec les connecteurs. L à L (noir), N à N (blanc), PE à PE (vert). Passez à l'ÉTAPE 6B.

ÉTAPE 6A: Poussez les fils connectés dans la pôle, fermez le couvercle supérieur de la pôle, puis fermez le couvercle de la boîte de jonction.

ÉTAPE 6B: Poussez les fils connectés dans la boîte de jonction à bras à adaptateur fixe, fermez le couvercle de la boîte, puis fermez le couvercle supérieur de la pôle.

INSTALLATION DE LA PHOTOCELLULE, OPTION 1: Support à Bras à Adaptateur Fixe (Voir les diagrammes à la page 9)

Défoncez la débouchure de la photocellule sur le support à bras à adaptateur fixe avec un marteau. Suivez les ÉTAPES 1 à 4 ci-dessus. Installez la base de la photocellule et le joint étanche sur le support à bras à adaptateur fixe et serrez les vis. Vissez la photocellule et le capuchon de court-circuitage dans la base de la photocellule. Suivez les ÉTAPES 6A et 6B ci-dessus pour achever l'installation. REMARQUE: Voir la page 10 pour le schéma de câblage de la photocellule.

INSTALLATION DE LA PHOTOCELLULE, OPTION 2: Support à Bras à Adaptateur Fixe (Voir les diagrammes à la page 9)

Fixez la plaque de la photocellule au support à bras à adaptateur fixe et dévissez avec un tournevis pour retirer la plaque de la photocellule. Suivez les ÉTAPES 1 à 4 ci-dessus. Installez la base de la photocellule et le joint étanche sur le support à bras à adaptateur fixe et serrez les vis. Vissez la photocellule et le capuchon de court-circuitage dans la base de la photocellule. Suivez les ÉTAPES 6A et 6B ci-dessus pour achever l'installation. REMARQUE: Voir la page 10 pour le schéma de câblage de la photocellule.

INSTALLATION DU CAPTEUR DE MOUVEMENT: Support à Bras à Adaptateur Fixe (Voir les diagrammes à la page 10)

Défoncez la débouchure de la photocellule sur le support à bras à adaptateur fixe avec un marteau. Suivez les ÉTAPES 1 à 4 ci-dessus. Installez la base du détecteur de mouvement et le joint étanche sur le support à bras à adaptateur fixe et serrez les vis. Vissez le capteur à micro-ondes ou à infrarouge dans la base du capteur. Suivez les ÉTAPES 6A et 6B ci-dessus pour achever l'installation. REMARQUE: Voir ci-dessous le schéma de câblage du capteur de mouvement.

RÉGLAGE DES PARAMÈTRES PAR COMMUTATEUR DIP (Voir les diagrammes à la page 11)

Voir les diagrammes pour les paramètres: 1, 2 régler la plage de détection; 3, 4 régler le temps de maintien; 5, 6 régler la luminosité; 7, 8 régler la luminosité auxiliaire; 9, 10 régler l'heure auxiliaire.

Paramètre Plage de Détection (Sensibilité)

La plage de détection décrit le rayon de la zone de détection plus ou moins circulaire produite sur le sol après installation du luminaire de détection à une hauteur de 12,2 mètres (40 pieds). Mettez l'interrupteur en position = MARCHÉ « ▲ », mettez l'interrupteur en position ARRÊT = « ▼ », l'emplacement de l'interrupteur et la plage de détection sont ainsi: (voir les diagrammes à la page 11).

Paramètre Temps de Maintien

La lumière peut rester ALLUMÉE d'environ 10 secondes à un maximum de 60 minutes. Tout mouvement détecté avant que ce temps s'écoule fera redémarrer la minuterie. Il est recommandé de sélectionner le temps le plus court possible pour régler la zone de détection et effectuer l'essai de marche. Placez l'interrupteur en position = MARCHÉ « ▲ » et l'interrupteur en position ARRÊT = « ▼ », l'emplacement de l'interrupteur et la plage de détection sont ainsi: (voir les diagrammes à la page 11).

Paramètre de Luminosité (Lux)

Le seuil de luminosité choisi peut aller d'aussi peu que d'entre 10 et 50 lux jusqu'à l'infini. Placez l'interrupteur en position = MARCHÉ « ▲ » et l'interrupteur en position ARRÊT = « ▼ », l'emplacement de l'interrupteur et la plage de détection sont ainsi: (voir les diagrammes à la page 11).

Paramètre Luminosité Auxiliaire

Placez l'interrupteur en position = MARCHÉ « ▲ » et l'interrupteur en position ARRÊT = « ▼ », l'emplacement de l'interrupteur et la plage de détection correspondants sont ainsi: (voir les diagrammes à la page 11).

Paramètre Heure Auxiliaire

Placez l'interrupteur en position = MARCHÉ « ▲ » et l'interrupteur en position ARRÊT = « ▼ », l'emplacement de l'interrupteur et la plage de durée correspondants est ainsi: (voir les diagrammes à la page 11).