

Cleaning

- Clean with a soft or damp cloth. While cleaning with the damp cloth make sure the power is off.
- Do not clean with abrasives.

5 Year limited warranty

The purchased product is covered with a 5 year warranty in respect of any defect in material or workmanship after purchase date.

Satco shall bear no responsibility on account of guarantee, as well as shall bear no liability for any faults, in case of improper operation, use negligence, accident or exposure to natural hazard, or excessive use over the limits specified for the unit, or if any unauthorized alteration or repair followed.

Safety and Installation Instructions

LED Flush mount light

SPIDER CAGE CEILING

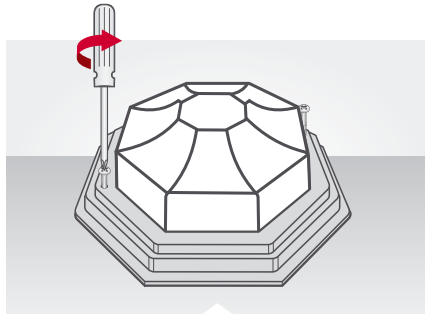


Thank you for purchasing our product. This fixture has been manufactured from components with advanced optoelectronics to ensure high reliability and long life. Before assembling please read this Operation Manual carefully and save in a safe place for future reference. Please note that all electrical connections must be in accordance with local and National Electrical Code standards as well as local building codes. In case you are not familiar with proper wiring connections and building codes, consult a qualified electrician.

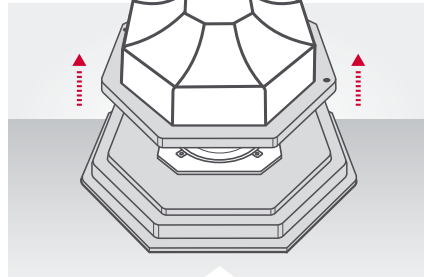
1. RISK OF ELECTRIC SHOCK – THIS PRODUCT MUST BE INSTALLED IN ACCORDANCE WITH APPLICABLE INSTALLATION CODES BY A PERSON FAMILIAR WITH MENTIONED ABOVE CODES AND HAZARDS INVOLVED. DISCONNECT POWER AT CIRCUIT BREAKER OR FUSE BEFORE INSTALLING OR SERVICING.
2. BEFORE USE OF THE PRODUCT CAREFULLY READ THE WHOLE INSTALLATION INSTRUCTIONS.
3. THE PRODUCT IS SUITABLE FOR WET LOCATIONS.
4. ASSEMBLE THE PRODUCT ONLY WITH THE USE OF PARTS PROVIDED AND THE HOUSING;
5. IMPROPER ASSEMBLY MAY RESULT IN DEVICE FAILING WHICH COULD DAMAGE THE PRODUCT, PERSONAL PROPERTY OR CAUSE INJURY.
6. ASSEMBLY SHALL FOLLOW WITH ACCESSORIES DELIVERED WITH THE SET ONLY. THE DEVICE IS NOT A TOY, KEEP OUT OF REACH OF CHILDREN.

Specifications:

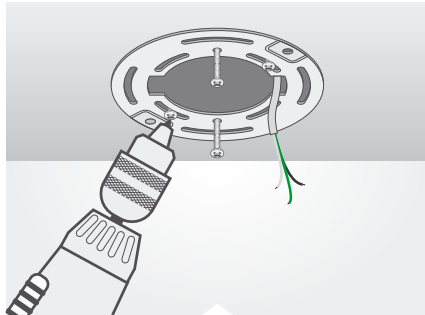
Flush Mount Light
Operating Voltage: 120V
Power consumption: 18.5W



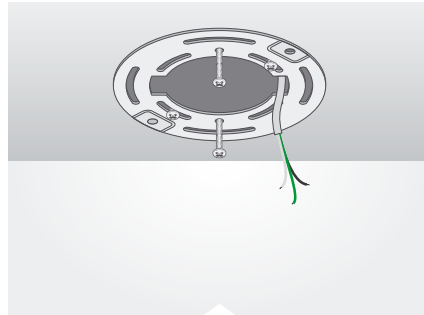
STEP 1: Dis-assemble the two screws.



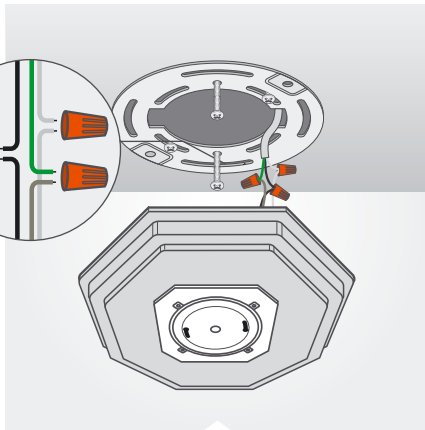
STEP 2: Remove the glass cover.



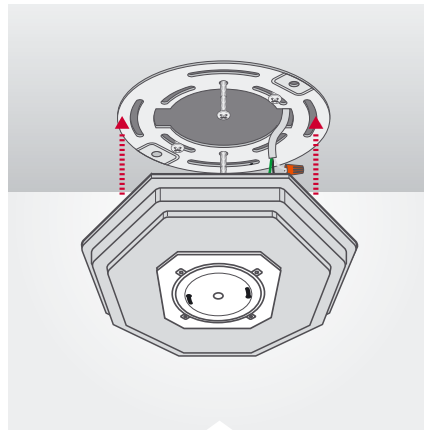
STEP 3: For 3" 4" Jbox, attach the bracket to Jbox using 2 screws (provided).
Note: For 2.75 base can be installed directly without bracket.



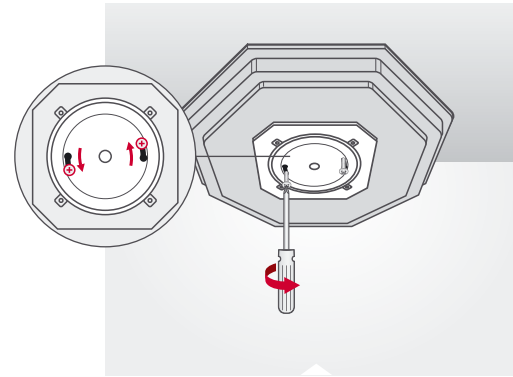
STEP 4: Attach 2 long screws (provided) to 2.75" holes of crossbar according to marking on crossbar.



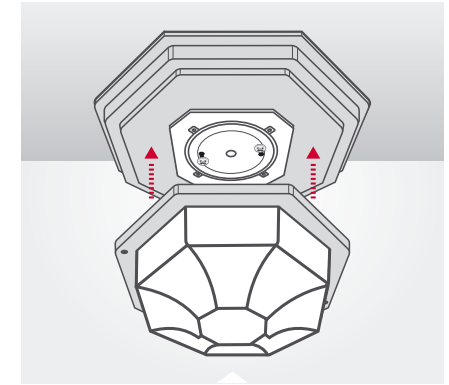
STEP 5: Connect 3 groups of wires with wire nuts as shown. Connect wires to AC cables from junction box with wire nuts (provided): L side to Black AC wire N side to White AC wire. Ground to Ground wire



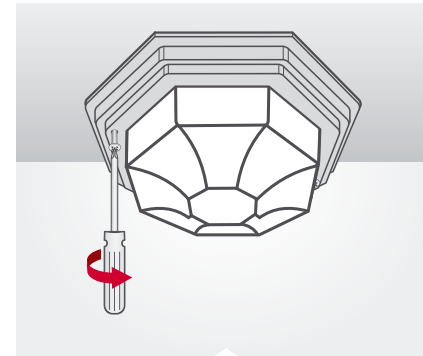
STEP 6: Align screw heads through the two big holes on the base.



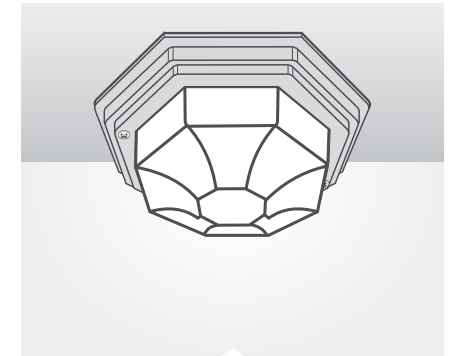
STEP 7: Turn the base clockwise to allow the screw heads to slide into the groove, then tighten the screws.



STEP 8: Re-assemble the glass and grille cover then hold it in place.



STEP 9: Assemble the two screws.



STEP 10: Installation completed.

ⓘ For wet location usage, use silicon to form a protective seal around the fixture.