



PAR30/PAR20 LED

12PAR30S/EXPERTCOLOR/F40/927/DIM

Philips PAR30S LED Single Optic Lamps with AirFlux Technology provide superior lighting aesthetics and optimal thermal efficiency in a sleek, lightweight design.

Product data

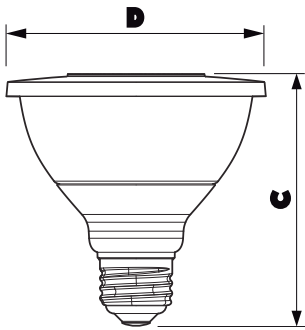
General Information		Wattage Equivalent	
Cap-Base	E26 [Single Contact Medium Screw]	75 W	
Nominal Lifetime (Nom)	40000 h	Starting Time (Nom)	0.5 s
Switching Cycle	50000X	Warm Up Time To 60% Light (Nom)	0.5 s
Technical Type	12-75W	Power Factor (Nom)	0.9
		Voltage (Nom)	120 V
Light Technical		Temperature	
Color Code	927	T-Case Maximum (Nom)	90 °C
Beam Angle (Nom)	40 °	Controls and Dimming	
Luminous Flux (Nom)	850 lm	Dimmable	Yes
Luminous Flux (Rated) (Nom)	850 lm	Approval and Application	
Luminous Intensity (Nom)	1800 cd	Suitable For Accent Lighting	Yes
Color Designation	Warm White (WW)	Product Data	
Rated Beam Angle	40 °	Order product name	12PAR30S/EXPERTCOLOR/F40/927/DIM
Correlated Color Temperature (Nom)	2700 K	EAN/UPC - Product	046677470913
Luminous Efficacy (rated) (Nom)	66.67 lm/W	Order code	929001340404
Color Consistency	<6	Numerator - Quantity Per Pack	1
Color Rendering Index (Nom)	95	Numerator - Packs per outer box	6
LLMF At End Of Nominal Lifetime (Nom)	70 %	Material Nr. (12NC)	929001340404
Operating and Electrical		Net Weight (Piece)	0.220 kg
Input Frequency	60 Hz		
Power (Rated) (Nom)	12 W		
Lamp Current (Nom)	120 mA		

PAR30/PAR20 LED

Warnings and Safety

- Suitable for use in damp locations.
- Not for use in totally enclosed luminaires.
- Before replacing, turn off power and let lamp cool to avoid electrical shock or burn.
- CAUTION: Risk of electric shock— do not use where directly exposed to water
- NOTES: This device complies with Part 18 of the FCC rule. This product may cause interference with other devices. If interference occurs, change the location of the products involved. This RFLD device complies with Canadian ICES-005.

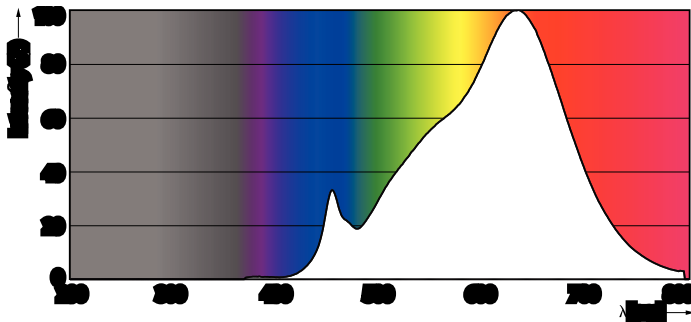
Dimensional drawing



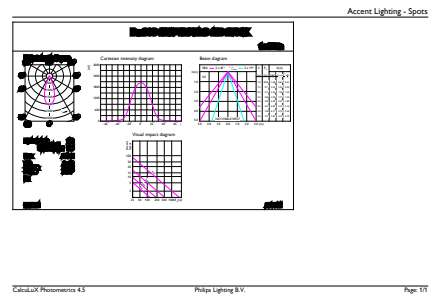
PAR30S 12-90W 850lm 40D 2700K E26 D

Product	D	C
12PAR30S/EXPERTCOLOR/F40/927/DIM	94.8 mm	116.1 mm

Photometric data



PAR38 120V 17-90W 1150lm 8D 2700K E26 D



ColorLink Photometrics 4.3 Philips Lighting B.V. Page 1/1

