
Product datasheet

DECOSTAR 51S 20 W 12 V 36° GU5.3

DECOSTAR 51S Standard | Halogen dichroic reflector lamps with 51 mm diameter

- General illumination Entrance lighting Workplace lighting Kitchen lighting Mirror lighting Object lighting



- Brilliant accent light Dichroic reflector reduces the heat in the light beam by up to 66 % Approved for use in open luminaires (to IEC 60598-1) UV filter Contains no mercury

Product datasheet

Technical data

Electrical data

Nominal wattage	20.00 W
Nominal voltage	12 V
Rated wattage	20.00 W

Photometrical data

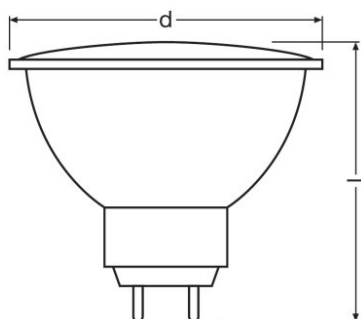
Nominal useful luminous flux 90°	210 lm
Luminous intensity	480 cd
Light color (designation)	Warm White
Rated color temperature	2800 K
Color rendering index Ra	100
Lumen main.fact.at end of nom.life time	0.75
Rated useful luminous flux 90°	210 lm
Rated peak intensity	480 cd
Color temperature	2800 K
Luminous flux	210 lm

Light technical data

Beam angle	36 ° ¹⁾
Nominal beam angle	36 °
Starting time	0.0 s
Rated beam angle (half peak value)	36.00 °

¹⁾ ZMP_110132

Dimensions & weight



Diameter	51.0 mm
Overall length	46.0 mm

Product datasheet

Outer bulb	T9
Product weight	32.24 g
Length	46.0 mm
Maximum diameter	51.0 mm

Lifespan

Rated lamp life time	4000 h
Number of switching cycles	100000

Additional product data

Base (standard designation)	GU5.3
Mercury content	0.0 mg
Mercury-free	Yes

Capabilities

Burning position	Any
Dimmable	Yes

Certificates & standards

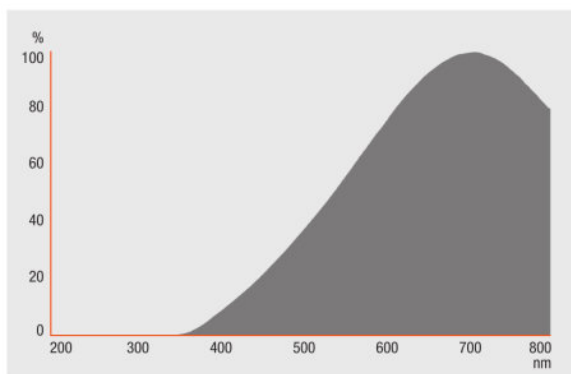
Energy efficiency class	C
Energy consumption	22 kWh/1000h

Country specific categorizations

ILCOS	HRGS//UB-20-12-GU5.3-51/36
Order reference	44860 WFL 20W 1

Product datasheet

Light Distribution



HAL_DICRO_AK

Logistical Data

Product code	Product description	Packaging unit (Pieces/Unit)	Dimensions (length x width x height)	Volume	Gross weight
4050300272511	DECOSTAR 51S 20 W 12 V 36° GU5.3	Shipping carton box 20 Pieces Folding carton box	202 mm x 124 mm x 147 mm	3.68 dm ³	856.00 g
4050300272511	DECOSTAR 51S 20 W 12 V 36° GU5.3	Shipping carton box 60 Pieces Folding carton box	290 mm x 135 mm x 245 mm	9.59 dm ³	2578.00 g

The mentioned product code describes the smallest quantity unit which can be ordered. One shipping unit can contain one or more single products. When placing an order, for the quantity please enter single or multiples of a shipping unit.

References / Links

For light distribution curves see

- ▶ www.osram.com

Product datasheet

Disclaimer

Subject to change without notice. Errors and omission excepted. Always make sure to use the most recent release.

OSRAM is distribution partner
of LEDVANCE of LAMPS

OSRAM

OSRAM GmbH
Marcel-Breuer-Strasse 6
80807 Munich, Germany