

17014A-LED-ID

6" IC Airtight Shallow LED Housing

Product Description

IDEAL base allows for quick, snap-in connection of NICOR® D-series LED downlights. Suitable for new construction in residential and commercial applications. IC rated. Suitable for direct contact with insulation.

Housing

Aluminum construction provides greater heat dissipation. Washington State Energy Code approved to meet restricted airflow requirements. Airtight housing limits the exchange of air between ceiling plenum and heated/cooled areas. Integral thermal protector guards against improper lamping and misuse of insulation materials. Adjustable socket bracket assures proper and consistent lamp positioning. Ideal® to Molex adaptor whip available. 5 3/4" height allows use in 2" x 6" joist construction.

Plaster Frame

Housing is secured to plaster frame with screws and can be removed for access to junction box. Housing adjusts from 1/2" to 1 1/2" to accommodate ceiling thickness.

Junction Box

Listed for through branch circuit wiring and includes several 3/4" knockouts. Four pryouts with integral strain relief simplify Romex installation. Supplied with three push-in wire connectors.

Hanger Bars

Heavy-gauge NICOR captive hanger bars provide greater stability, allowing housing to be positioned at any point within a 24" joist span, then locked in place with set screws. Unique hanger bar lip design helps align can to joist. Four double-headed captive nails provide for ease of installation. Bars can be repositioned 90° on plaster frame without tools. Bars fit onto T-bar spine for quick alignment and can be permanently secured. Score lines allow bars to be shortened without tools to accommodate a 12" joist span.

Ordering Information

Catalog Number	Description
<input type="checkbox"/> 17014A-LED-ID	6" IC Airtight Shallow LED Housing

NICOR LED

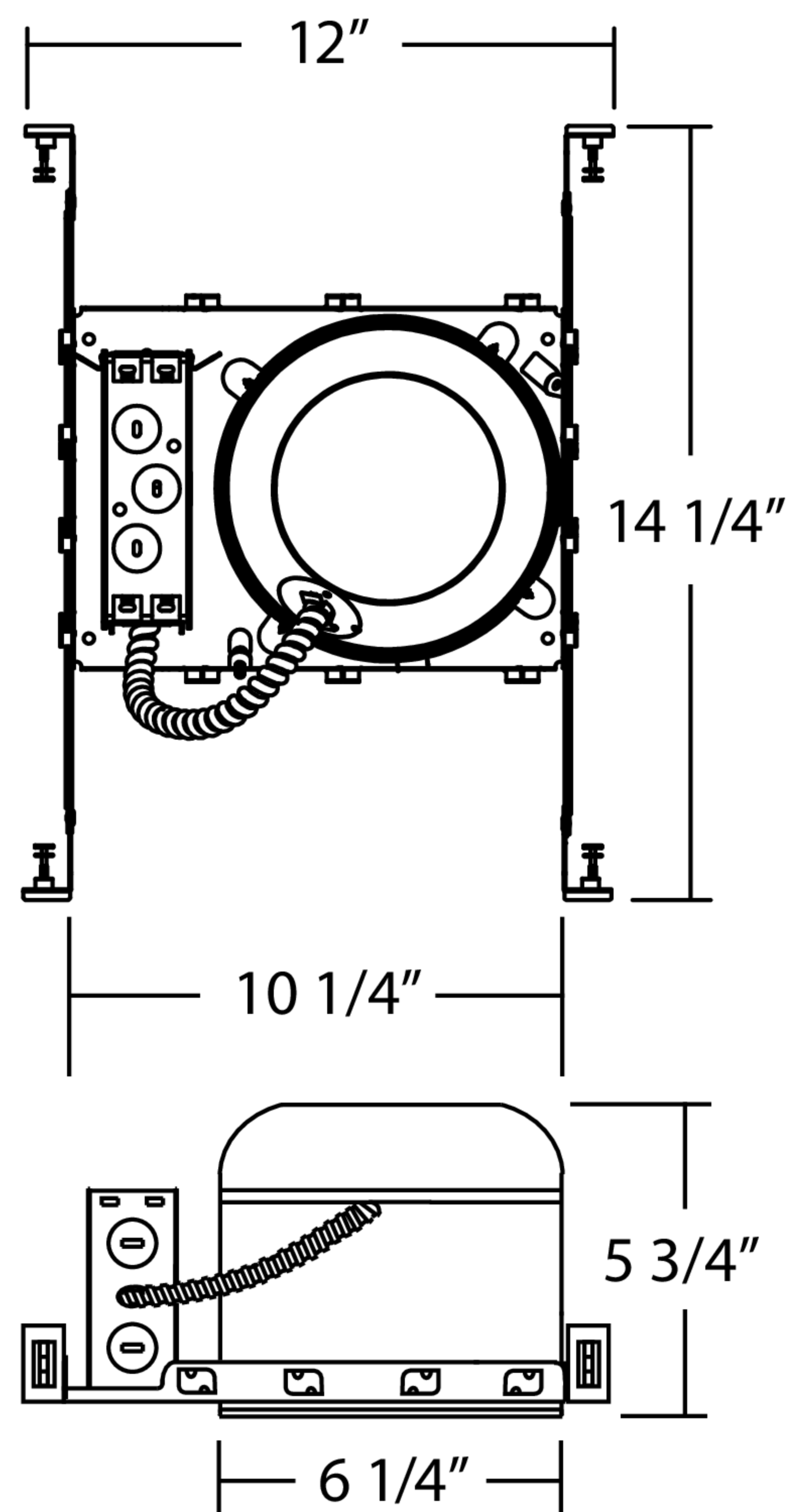


THE PERFECT HOUSING FOR THE DLR56

Project _____

Catalog _____

Type _____



NICOR LED