

# 120V PUCKS

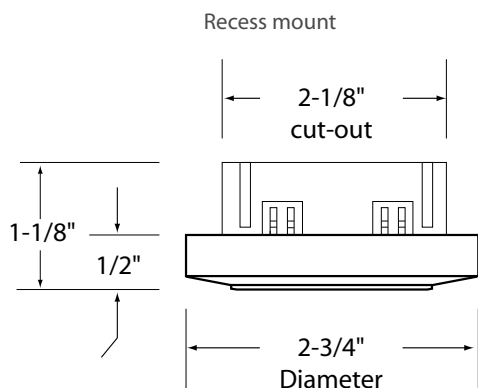
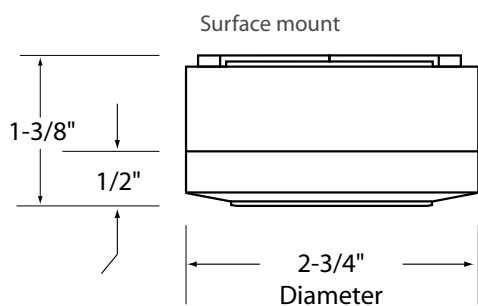
*Dimmable line voltage pucks - no transformer needed!*

## 120V PUCK

Easy to use, 120V puck lights provide versatile and dimmable lighting that does not require a transformer! Build your own plug-in or hardwire system. For cabinets, display cases, retail environments, entertainment centers, back bars and built-ins.

## FEATURES

- Easy to install kits – simply daisy chain up to ten pucks and plug in with included power cord
- Hardwire box available (sold separately) for use when 120V power is stubbed out from the wall
- Available in both kits and bulk to build your own plug-in or hardwire system
- Dimmable with standard incandescent dimmers
- 120V lamps included, no transformer required
- Frosted twist-lock lens reduces glare
- Link up to ten pucks together
- Recess or surface mount
- Choose between xenon and halogen; kits and bulk



Black



White



Gold

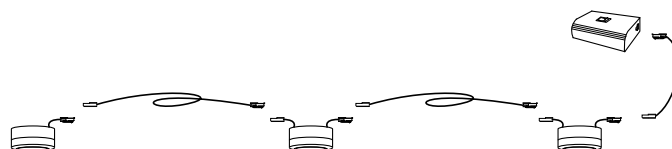
## BILL OF MATERIALS

- Determine installation type (hardwire or plug-in)
- For plug-in installations, and use kits and add bulk pucks and extensions as needed
- For hardwire installations, order hardwire box, bulk pucks, and extensions as needed, allowing for distances between pucks and to hardwire box location

Lamps are included with each fixture.

Bill of materials for layout below (xenon):

- (1) ALSLBOX
- (1) ALLVPEX12WH
- (1) LVPX60-WH



Note: 120V Puck Lights need ventilation to operate properly without building up heat. Recess mount only where top of cabinet is not enclosed.

## FIXTURES

<b>LVPX</b>		—	
120V Xenon Kits	<b>20</b> = One puck* <b>40</b> = Two pucks <b>80</b> = Four pucks		<b>BK</b> = Black <b>WH</b> = White

<b>ALLVP20</b>	
120V Halogen 1-Light Kits	<b>BK</b> = Black <b>GD*</b> = Gold <b>WH</b> = White

	—		—	<b>B</b>
<b>LVPX20</b> = Xenon <b>ALLVP20</b> = Halogen		<b>BK</b> = Black <b>GD*</b> = Gold <b>WH</b> = White		

\*While supplies last

## ACCESSORIES



### ALSLBOX, ALSLBOX-WH-B

Slim-line hardwire box, Black or White 4"L x 2.5"W x 1"H, with 2 molex outlets (5 amps each) and On/Off rocker switch, c/UR/us Listed



### ALLVP-PC6, ALLVPPC6WH

6' power cord for 120V puck lights 18AWG with slide on plug, inline roll switch and plastic connector, Black or White, c/UL/us Listed



### ALLVPEX12WH, ALLVPEX24WH ALLVPEX12, ALLVPEX24

12" or 24" linking extensions to link up to ten puck lights, 18AWG with male and female plastic connectors, Black or White, c/UL/us Listed



### ALTPDIM

Hinge or Touch Pad Dimmer, 300 watts maximum, 3 levels + Off; includes touch pad, hinge lead wire, 5' power cord and 8' extension cord, c/UL/us Listed



### LVPX20BP

Twin pack of 20 watt 120V xenon lamps, blister pack M.O.L. = 1-5/16"



### ALLVP20B

Twin pack of 20 watt 120V halogen lamps, blister pack M.O.L. = 1-1/4"

## TECHNICAL SPECIFICATIONS

Voltage	120V, 60Hz AC operation
Construction	Heavy-duty, hard durable plastic
Mounting	Recessed or surface mount
Dimensions	H = 1-3/8" (surface), 1/2" (recessed), Dia = 2-5/8"
Lead wires	Each puck light has 3" lead wire and 3" tail wire with power connectors for linking purposes. Kits will have one puck light with only a lead wire (no tail wire). This puck must be used as the last puck light in the run.
Switching	Control with hardwire box's rocker switch, switched outlet or with inline switch on power cord
Cut-out	2-1/8" hole size for recessed mounting
Light Output	Xenon = 72 lumens per puck, halogen = 110 lumens per puck
Wattage	20 watts per puck
Power cord	Single puck kits include a six-foot 18AWG power cord; kits with multiple puck lights include a six-foot power cord and enough 12" linking extensions to daisy chain pucks to each other.
Maximum run	Do not link more than ten puck lights in any single run
Linking	Kits include 12" linking extension(s) to connect puck lights. To build a bulk system, order linking extensions separately. ALLVPEX extensions are interconnectable (up to 5).
Lamp specs	120V xenon = 3100K White, 8,000 hours, 1-5/16" M.O.L.; 120V halogen = 2800K White, 2,500 hours, 1-1/4" M.O.L.
Dimmers	Power cords are compatible with ALTPDIM (Hinge/Touch Pad Dimmer). Hardwire installations are dimmable with most standard incandescent dimmers (requires its own switch leg).
Diffuser	Frosted glass diffuser
Packaging	Four color retail blister pack for kits; two color box for bulk; 6 per case (all)



P/H

