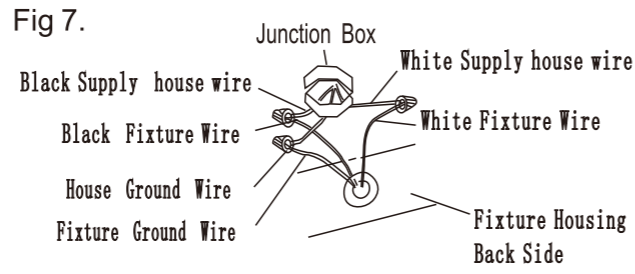


INSTALLATION INSTRUCTIONS

WARNING: Before wiring to the power supply, turn off the electricity at fuse or circuit breaker box. Ensure grounding to avoid potential electrical shock and to ensure reliable lamp starting.

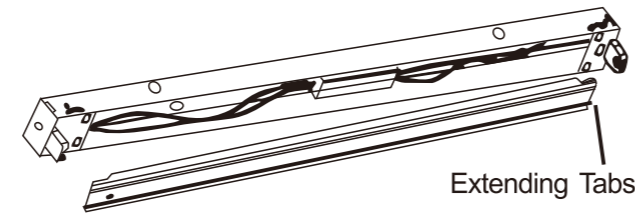
WIRING OF THE LIGHT FIXTURE

- 1) Connect the black supply (house) wire to the black wire from the light fixture. Secure the connection by inserting into the wirenut, then revolving until secure. (fig 7).
- 2) Connect the white supply (house) wire to the white wire from the light fixture. Secure the connection by inserting into the wirenut, then revolving until secure.(fig 7).



CHECK TO MAKE SURE NO BARE WIRES ARE EXPOSED OUTSIDE THE WIRENUTS

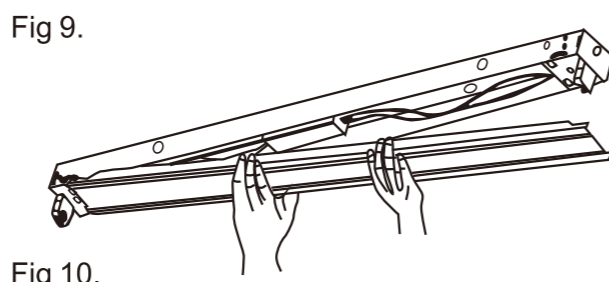
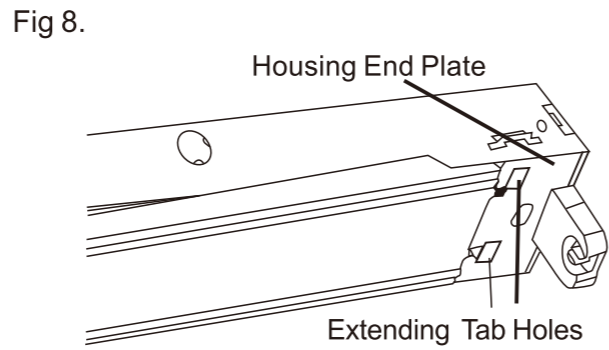
- 3) To ground the fixture, connect the bare or green supply (house) wire to the green wire comes with the fixture by inserting into the wirenut, then revolving until secure.



IF THE HOUSE WIRING DOES NOT HAVE A GROUND WIRE, CONSULT YOUR LOCAL ELECTRIC CODE FOR APPROVED METHOD

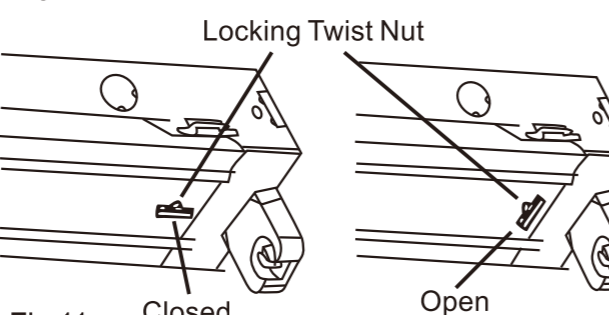
Attacher le cable d'alimentation noir au cable noir de la lampe ,et le Cable d'alimentation blanc au cable blanc de la lampe à l'aide des connecteurs, Raccorder le fil de terre de la lampe au fil de terre de l'alimentation en utilisant un connecteur.

- 4) To reattach the wireway cover to the housing, slide the end with the 2 extending tabs (refer to figure 8 for extending tab location)into the two holes located on the housing end plate (refer to figure 9). Lower the opposite end onto the housing and secure to housing by using the "LOCKING TWIST NUT"(refer to figures 10 and 11 for locking of the wireway).



THE FIXTURE SHOULD NOT BE OPERATED WITHOUT THE WIREWAY COVER IN PLACE.

- 5) To install the fluorescent lamps, insert the pins located on both ends of the fluorescent lamp up into the lamp holder (sockets) on both ends. Rotate the lamp approx 1/4 turn until a "CLIP" or "SNAP" is felt.



- 6) Turn the power back on from the electrical panel control box.

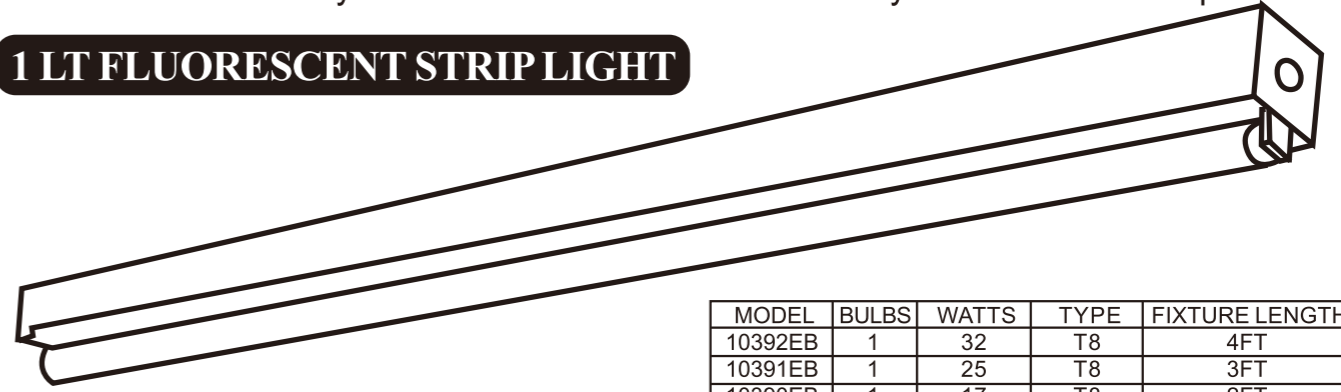


- 7) Turn on the light using the wall switch from within the room.

INSTALLATION INSTRUCTIONS

CAUTION: For your safety and proper operation of this fixture, carefully read the instructions before you start. Note & understand all safety information in bold print.

1 LT FLUORESCENT STRIPLIGHT



MODEL	BULBS	WATTS	TYPE	FIXTURE LENGTH
10392EB	1	32	T8	4FT
10391EB	1	25	T8	3FT
10390EB	1	17	T8	2FT

Bi-Pin Fluorescent Lamps(sold separate)

IMPORTANT SAFETY INFORMATION FOR YOUR PROTECTION, READ CAREFULLY

1) WARNING: RISK OF SHOCK

House electric current can cause painful shock or serious injury unless handled properly. For your safety, always remember to:

- Turn off the power supply at the fuse or circuit breaker box before you install the fixture.
- Turn off the power supply again when you change lamps or perform other maintenance.
- Ground the fixture to avoid potential electric shocks and to ensure reliable starting.
- Double check all connections to be sure they are tight and correct.
- Wear rubber-soled shoes and work on a sturdy wooden ladder.

Couper le courant au niveau du disjoncteur avant d'installer la lampe pour éviter tout risque de secousse électrique.

2) This fixture is designed for use in a circuit, protected by a fuse or circuit breaker. It is also designed to be installed in accordance with local electrical codes. If you are unsure about the wiring, consult a qualified electrician and check your local electrical code.

Tous les branchements électrique doivent respecter les normes du Code National de l'Électricité. Si vous ne savez pas comment installer correctement des fils électriques, appelez un électricien professionnel.

3) WARNING: RISK OF CUTS

Some metal parts in the fixture may have sharp edges. To prevent possible cuts and scrapes, we suggest gloves to be worn when handling all parts from this

4) Account for all small parts and destroy packing material, as these may be hazardous to children.

5) WARNING: RISK OF FIRE

Most dwellings built before 1985 have supply wire rated 60°C. If supply wires are located within 3 inches of the ballast, wire must be suitable for at least 90°C (194°F). Consult a qualified electrician before installing. Les fils d'alimentation 90°C min.

PACKING LIST		TOOLS REQUIRED FOR INSTALLATION	
A) LAMP HOUSING	1 UNIT	D) WIREWAY COVER	1 UNIT
B) ACRYLIC LENS	1 UNIT	E) WOOD SCREWS	2 UNITS
C) LAMPHOLDER	2 UNITS	F) WIRENUTS	3 UNITS
		A) PLIERS	C) PHILIPS SCREWDRIVER
		B) HAMMER	D) SAFETY GLASSES

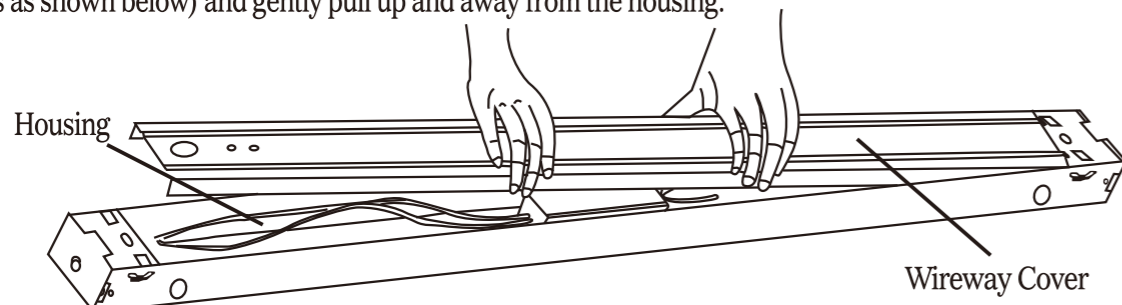
GSM4403#10390-10392说明书A面2013-4-1

INSTALLATION INSTRUCTIONS

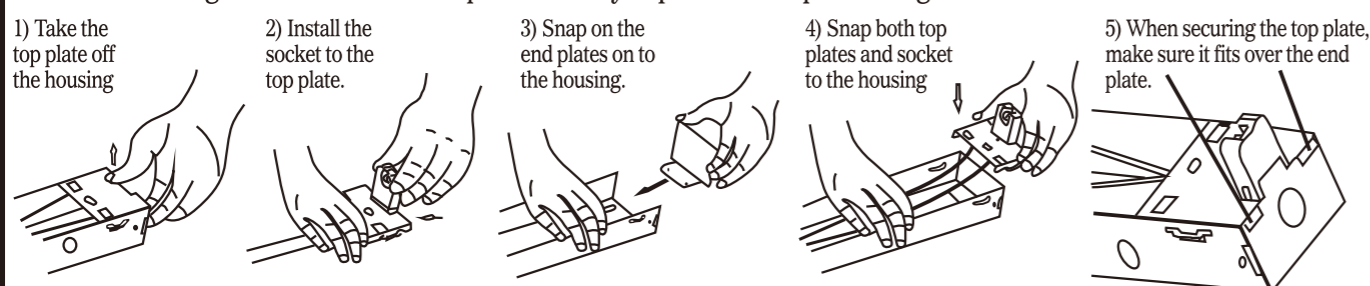
WARNING: Before wiring to the power supply, turn off the electricity at fuse or circuit breaker box. Ensure grounding to avoid potential electrical shock and to ensure reliable lamp starting.

PREPARATION OF LIGHT FIXTURE FOR INSTALLATION

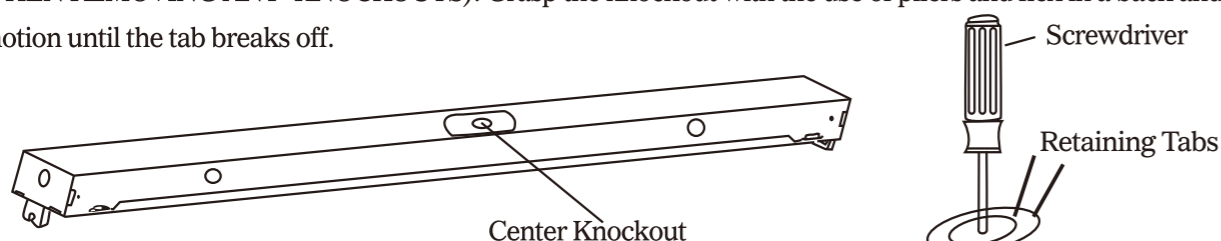
- 1) Remove the wireway cover from the fixture (see picture below) and place aside on a flat surface to avoid any possible damage. To remove the wireway cover, carefully grab hold of the cover in the middle with both hands (separate your hands as shown below) and gently pull up and away from the housing.



- 2) Locate the 2 sockets that are inside the housing, both have been prewired and are ready to be attached to the housing. Follow the five step-by-step illustrations shown below of how to attach the sockets, top plate and end plate to the fixture housing. Make sure that each piece is firmly in place before proceeding on.



- 3) Carefully turn the fixture housing over and locate the center knockout on the housing. Make sure the fixture housing is supported on the underside and then by placing a screwdriver on the edge of the knockout (opposite retaining tabs), strike the screwdriver end by the use of a hammer (SAFETY GLOVES AND GLASSES SHOULD BE WORN WHEN REMOVING ANY KNOCKOUTS). Grasp the knockout with the use of pliers and flex in a back and forth motion until the tab breaks off.



- 4) Locate the desired location for the light. Supply wires of house wires will extend from the "JUNCTION BOX" located in the ceiling. If you not have a "JUNCTION BOX" in the ceiling, consult a qualified professional electrician.

CAUTION

Check both the fixture and house for loose or damaged wiring. If the wiring is loose or damaged, it must be repaired prior to the fixture installation.

DO NOT PROCEED ON UNTIL THE WIRING HAS BEEN FIXED OR REPLACED WITH NEW WIRES.

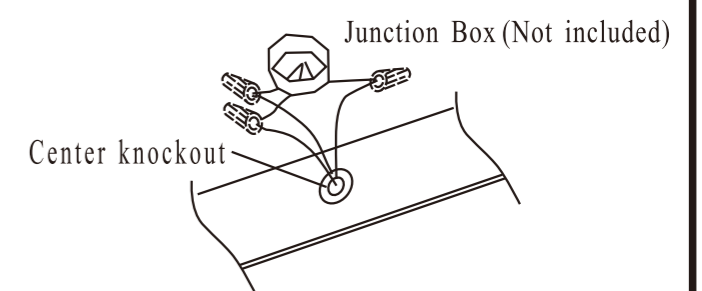
INSTALLATION INSTRUCTIONS

NOTE: This fixture is designed to be surfaced mounted on a drywall ceiling. Mounting hardware requirements will depend on mounting method.

MOUNTING OF THE LIGHT FIXTURE

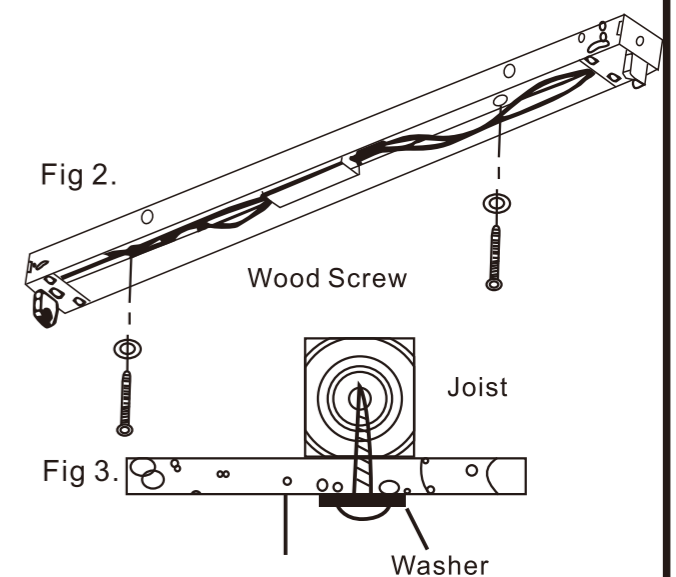
- A) For mounting on drywall ceilings, follow steps 1 through 5 as listed below:

- 1) Lift fixture housing to the ceiling, positioning the center knockout of the housing over the junction box and parallel to the ceiling. (fig 1).



- 2) Drill 1/8" pilot hole at each location first to determine what mounting hardware is required.

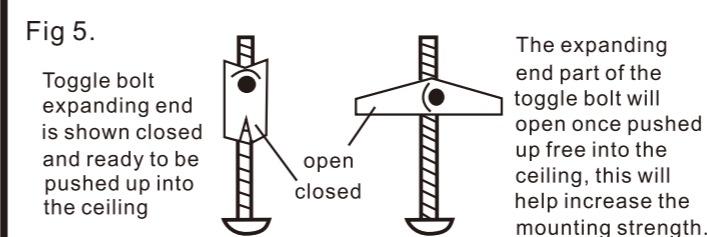
- 3) If drill encounters ceiling joist, use the wood screws & washers that came with the fixture (both included) to secure the fixture housing to the ceiling (refer to fig 2 & fig 3).



- 4) If drill **DOES NOT ENCOUNTER CEILING JOIST**, you can mount the fixture by two different methods.

- a) Use the 2 drywall anchors, screws & washers included, refer to fig 4 for proper installation.

- b) Use 2 toggle bolts and washers (toggle bolts are not included). Enlarge the pilot drill hole size large enough to accommodate the expanding end part of the toggle bolts. Push this part of the toggle bolt up into the ceiling, once inside the expanding end will open. Tighten and secure fixture housing to ceiling (refer to fig 5 & fig 6).



NOTE: The toggle bolt must be installed onto the fixture BEFORE you push the toggle bolt into the ceiling.

SAFETY TIP

- 5) It is recommended to Reinforce the mounting of the housing to the ceiling by adding a board between the expansion part of the toggle bolt and the ceiling tile (fig 6)

