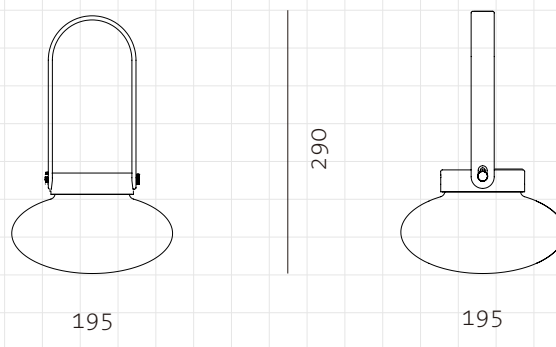


## Mün Rechargeable Lantern



**CODE**  
**DIMENSIONS**

MN-R110  
Ø195 x H290mm

**NET WEIGHT**  
**ENVIRONMENT**  
**MATERIALS**

0.70 kg  
Outdoor  
Powder coated steel frame, silicone handle, glass shade  
\*Please refer to website or contact your local representative for complete material swatches.

**LIGHT SOURCE**  
**DIMMING**  
**COLOR TEMPERATURE**  
**CERTIFICATIONS**

LED integrated, 2.1w / 130lm  
3 level touch dimmer 100% – 33% – 10 %  
2700k  
ETL (DC 25V) | CE (DC 5V)

**SHIPPING**

<b>Package</b>	Assembled		
<b>Package Qty</b>	6 pcs/box		
<b>Packaging</b>	<b>Measurement (mm)</b>	<b>Volume (cbm)</b>	<b>Gross Weight (kg)</b>
<b>FCL/LCL/AIR</b>	W585 x D415 x H585	0.14	8.60