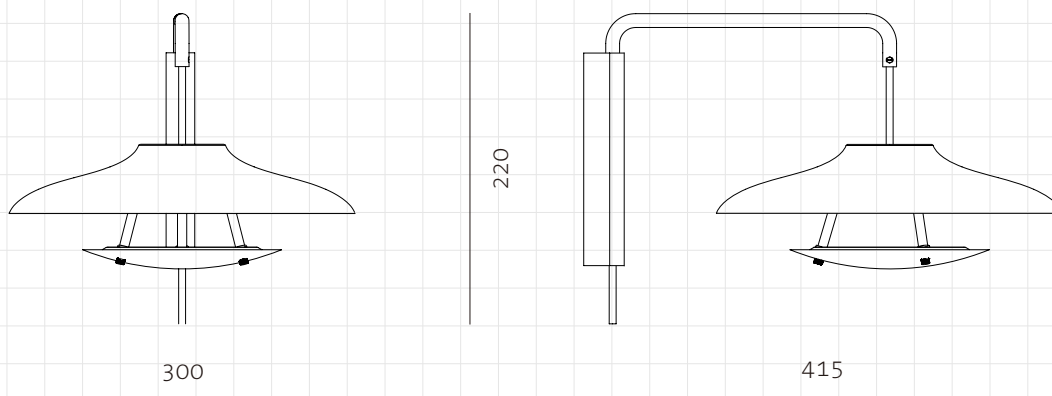


## Haro Wall Lamp



**CODE**  
**DIMENSIONS**

HA-W110  
W300 x D415 x H220mm

**NET WEIGHT**  
**ENVIRONMENT**  
**MATERIALS**

1.60 kg  
Indoor  
Powder coated steel shade, brass plated stainless steel structure  
\*Please refer to website or contact your local representative for complete material swatches.

**LIGHT SOURCE**  
**DIMMING**  
**COLOR TEMPERATURE**  
**CABLE LENGTH**  
**CERTIFICATIONS**

LED integrated, dimmable LED 1-12w / 1075lm  
dimmable LED 1-12W  
2700k  
2m  
ETL (24VDC, 0.5A) | CE (24VDC, 0.5A) | CCC (24VDC, 0.5A)

**SHIPPING**

<b>Package</b>	Assembled		
<b>Package Qty</b>	1 pcs/box		
<b>Packaging</b>	<b>Measurement (mm)</b>	<b>Volume (cbm)</b>	<b>Gross Weight (kg)</b>
<b>FCL/LCL/AIR</b>	W485 x D360 x H210	0.04	2.59