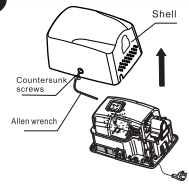


## Installation

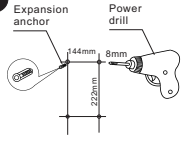
### Remove the shell

- Using Allen wrench from accessories bag to remove 2 countersunk screws from body shell.
- Pull the shell upward by hands to remove.
- Keeping the shell carefully avoiding scratching.



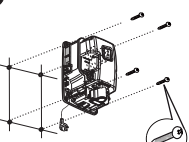
### Drill holes

- According to the installation position, drill four of 8mm holes on wall and insert the plastic screw anchors into the holes.



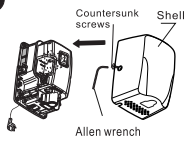
### Mount the machine

- Aim the holes of the baseplate to the plastic screw anchors, mount the it on the wall by 4 self tapping screws.



### Shell installation

- Tighten the 2 countersunk screws on the shell.
- Directly plug the power cord into the 110V standard outlet. Tie the excess power cord firmly to the wall.



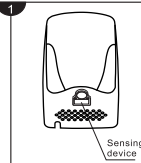
## Test run

Steps	Confirm information	Check & Notice
1 Shake the machine gently	The machine is installed firmly without shaking	It will occur shaking and noisy when the machine doesn't install firmly
2 Confirm the power and voltage	Please use the rated power Voltage	It will burn out machines or cause human accidents if the power use incorrect
3 Switch on the power	Close external power supply switch or insert the power plugs	Power socket must be match the machine plug Please check the power when the indicator light not bright
4 Sld in your hands to drying	High speed wind blow out	Please confirm whether your hands are far away from the sensor parts if there is no wind blowing out

## Maintenance

### External maintenance

- Clean with a soft dry cloth or towel. Please use neutral detergent, don't use organic solvents, acid or alkali toilet clean, nor cleaning brush, etc.
- Otherwise, the surface will be destroyed or discolored
- Don't use chemical detergent to clean the sensing area



### Internal maintenance

- Clean the air filter every 6 months or when air flow is weaker. Shut off power (unplug power cord or turn off electric breaker if hard wired), use the Allen wrench to remove the screws, then take off the shell.
- Carefully remove the air filter, blow out the dust then clean them with clean water. (Don't use hot water or chemical detergent)
- Carefully remove any dust or objects if found inside the machine.

## Packing list

Main machine	1	User manual	1
5x25mm self tapping screw	4	Allen wrench	1
Ribbed plastic anchor	4		

# HAND DRYER



## USER MANUAL

### Plug into 120V outlet to test before installing

Please contact Awoco customer service for any issue or replacement parts at 888-412-3428 or sales@awoco.com

AK2803B-V1.1

## Specification

Voltage	AC120V~	Motor	Brush motor
Phase	Single-phase	Sensing distance	15-20cm
Power	1350W	Protection class	IPX1
Current	12A	Appearance size	260x180x152mm
Heating power	750W	Wind speed	60m/s

## WARNING

If you don't use this unit properly or follow the safety guidelines carefully, it would lead to serious personal injury or property damage

- Do not open the front panel. Otherwise, This may get an electric shock
- Do not let children hang from the unit, otherwise, this may cause the unit to drop.
- Do not allow the unit get wet, otherwise, it will cause electric shock
- Do not use in a wet environment, for example, near the bathroom where it may get the direct water and the places where the condensation may form. Otherwise, this may cause electric shock and unit malfunction.
- Do not modify and disassemble the unit unnecessarily. Otherwise, this may cause a fire, electric shock, or personal injury.
- Rated power is required
- If power tolerance is over +/-10%, there will be breakdown
- If using incorrect power supply, fire, electric shock and machine malfunction will happen.
- Please use dedicated socket
- If using together with other appliances, the socket may cause abnormal heat leading to fire.
- Power must be cut off when maintenance to prevent the risk of electric shock.
- Air filter must be installed.
- If the machine doesn't work or have abnormal conditions, please cut off power to prevent accidents; and close leakage circuit breaker and ask supplier to check and repair, or it may lead to fire because of electricity leakage and short circuit.
- Machine must have reliable ground connection.
- Attention when installation:
  - Do not install when the machine are power connected.
  - This appliance is not intended for use by persons (including children) with reduced physical, sensory or mental capabilities, or lack of experience and knowledge, unless they have been given supervision or instruction concerning use of the appliance by a person responsible for their safety.
  - If the cord is damaged, it must be replaced by the manufacturer, its service agent or similarly qualified persons in order to avoid a hazard.
  - For additional protection, the installation of a residual current device (RCD) having a rated residual operating current not exceeding 30mA is advisable in the electrical circuit supplying the bathroom. Ask your installer for advice.

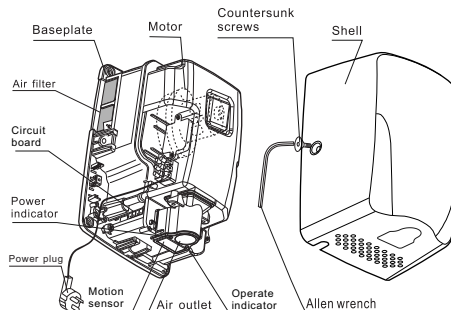


- Environmental Protection  
Waste electrical products should not be disposed of with household waste. Please recycle where facilities exist. Check with your Local Authority or retailer for recycling advice.

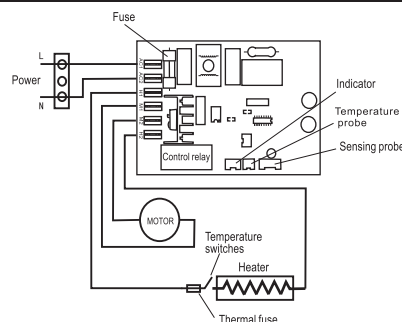
## Feature

- Environment saving, no need of paper towels.
- Quick dry 10-15 seconds with high speed air flow.
- Solid built with stainless steel shell, ease of maintenance.
- Overtime protection stops the unit after 45 seconds to avoid overheated.
- Energy saving with automatic heating system.
- The heating element is off when the room temperature is hot. Automatically turn on heating element when the room temperature is cold.
- Built-in air filters filter 99.97% of bacteria from the moist restroom air.

## Name of each part



## Electrical diagram



## Precautions before installation and Installation location

- Do not install in the following places (otherwise may cause malfunction).
  - Place with temperature below -10°C or over 40°C
  - Place directly sprinkled by water
  - Place with direct sunlight, strong light
  - Place easy for condensation
  - Place filled with corrosive, oxidizing and reducing gas
  - Place with altitude over the range of 0 ~ 2000m
- Installation location
  - Note: ADA requires the bottom of the hand dryer must fall between a height of 38 inches to 48 inches off the floor.
  - If the counter top or obstacles below the machine, the minimum distance should be 16 inches to avoid reflection to mis-sense.
  - Keep the right side of dryer away from mirror or wall, for the water droplets may splash out when you dry hands. (The distance should be 4 inches above)
  - Please avoid the place easy to block people and easy to encounter doors.
  - Please select flat wall to install this product.

