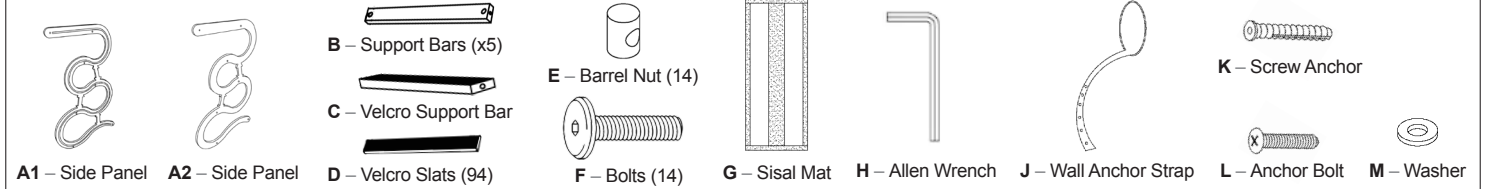


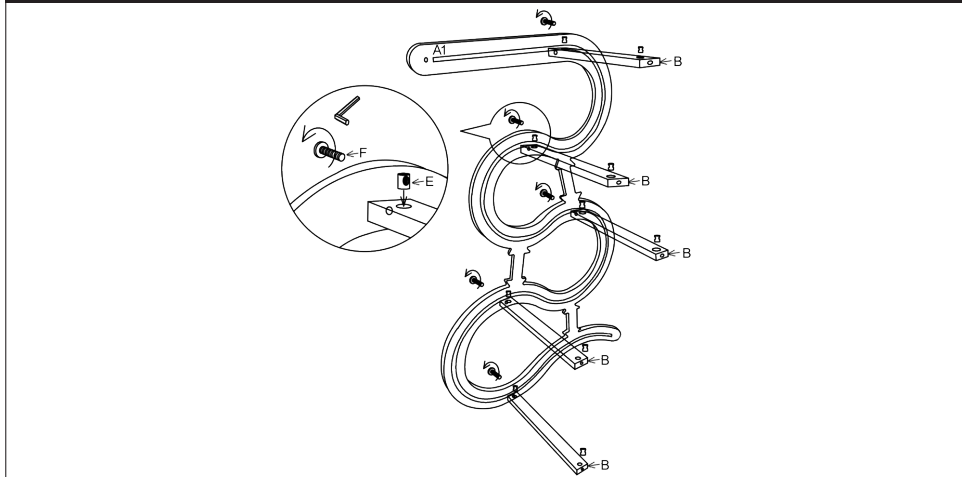
MODERN WAVE CAT TREE INSTRUCTIONS

NOTE: 2-person assembly required. It is suggested that you have a Building Buddy to help you assemble this tree (and maybe a glass of wine). And no matter what your Building Buddy says, yes, you do need the instructions. If you're more of a visual person, check out our instructional video at <https://www.meowingtons.com/pages/help>

PARTS LIST



STEP 1



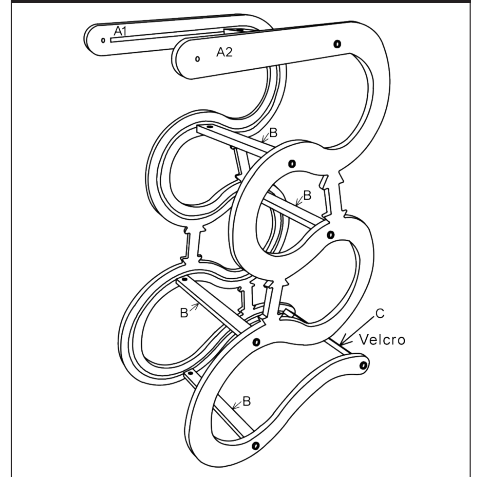
Install all Support Bars (B) into Side Panels (A1 and A2) EXCEPT the topmost Velcro Support Bar (C). This will be installed last.

To install Support Bars (B) into Side Panel (A1), first insert Barrel Nuts (E) into indicated holes on top of Support Bars (B). Align Barrel Nut so hole in nut is aligned with hole in end of Support Bar (B).

Insert Bolts (F) into indicated holes in Side Panels (A1) and attach to Support Bar (B). Tighten with Allen Wrench (H) while keeping Barrel Nut aligned. Use Cross-Head screwdriver to rotate and realign Barrel Nut (E) if necessary.

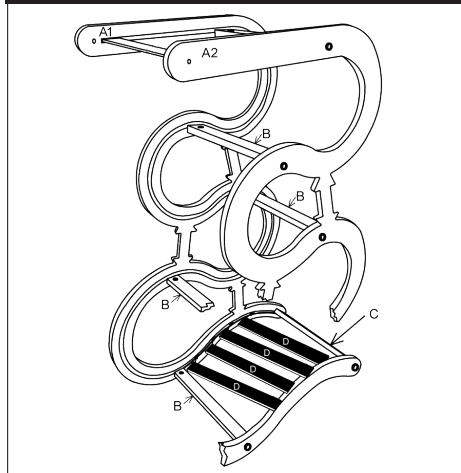
Attach other end of Support Bars (B) to Side Panel (A2) using Barrel Nuts (E) and Bolts (F).

STEP 2



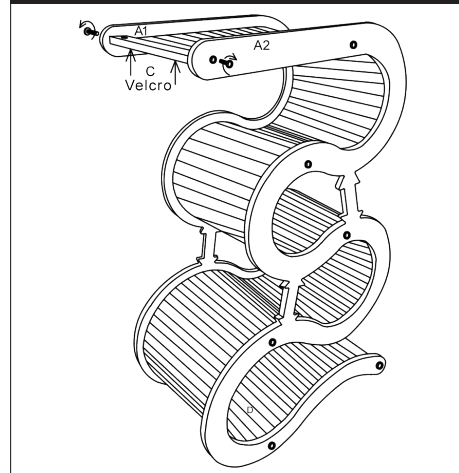
Install the Bottom Velcro Support Bar (C) into bottom remaining hole using Barrel Nuts (E) and Bolts (F) with the Velcro strip facing **UP**. Tighten with Allen Wrench (H) while keeping Barrel Nut (E) aligned.

STEP 3



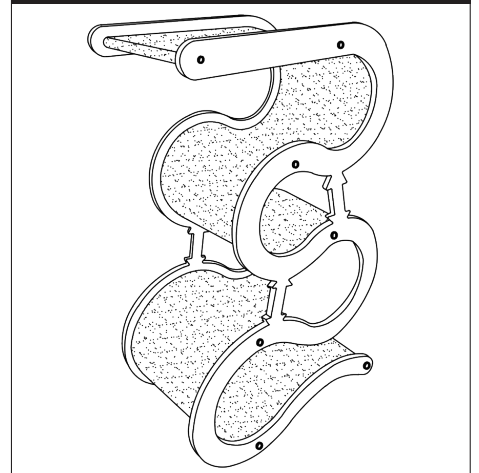
Starting from the Bottom, insert each Velcro Slat (D) at an angle into the grooves on Side Panels (A1, A2) and slide until they are flush against each other. Continue entire way up tree until all slats are inserted.

STEP 4



At the top of the tree, Insert Barrel Nuts (E) into Velcro Support Bar (C) [**Velcro strip facing should be facing DOWN**] and Bolts (F) into Side Panels (A1, A2) and tighten with Allen Wrench (H).

STEP 5



Starting at the bottom of the tree, attach one end of the Sisal Mat (G) underneath the Velcro Support Bar (C) and affix to Velcro strip. Press down and run your hands down both sides of the mat, from the bottom all the way to the top of the tree, and back down and around until both ends of the sisal mat meet.

Give your Building Buddy a high five - your Tree is now ready for use! Make sure all parts are connected, securely locked into position, and the Sisal Mat (G) is smoothed down. Be sure to read below warnings and labels. For your safety, also install Wall Anchor Strap (J) by wrapping Strap around the highest arrow on a Side Panel A1 or A2. Insert Screw Anchor (K) into wall. Then, insert Anchor Bolt (L) and Washer (M) through Wall Anchor Strap (J) and into Screw Anchor (K).



Need assistance? We're here to help!
Call us TOLL FREE at 1-844-CAT-MEOW (228-6369)
or email us at support@meowingtons.com.

View instructional video at
<https://www.meowingtons.com/pages/help>

WARNINGS & CAUTIONS

PLEASE READ AND FOLLOW ALL WARNINGS AND INSTRUCTIONS TO AVOID PET INJURY OR PROPERTY DAMAGES.

- Keep all tools and instructions in a safe place for future reference.
- Follow the instructions carefully and make sure you've completed each step.
- This cat tree is intended for cat use only, please keep children away.
- Keep all small parts away from children/pets to avoid choking hazards.
- Use Wall Anchor Strap to secure the cat tree to the wall.
- Never climb, rock, shake, step, or hang on the cat tree.
- Place your cat tree indoors, away from direct sunlight or damp areas.
- Cat trees should be placed on a flat, level surface for stability.
- Check your cat tree often for loose screws or parts that might need re-tightening.
- If your cat tree gets torn or damaged, please discard it.
- The product photo may vary slightly from your fully assembled cat tree as this product is continually being enhanced.

We'd love to see your cats enjoying the tree!
Please tag us in any photos on Instagram
@meowingtonsco and/or Facebook @MeowingtonsInc