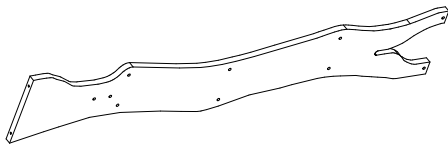




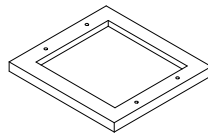
PERCH TREE CAT TOWER 2.0 MEGA INSTRUCTIONS

NOTE: 2-person assembly required. It is suggested that you have a Building Buddy to help you assemble this tree (and maybe a glass of wine). And no matter what your Building Buddy says, yes, you do need the instructions.

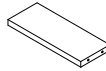
PARTS LIST



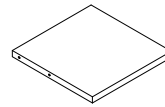
1 - 2PCS



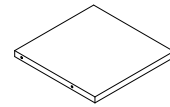
2 - 1PCS



3 - 1PCS



4 - 3PCS



5 - 1PCS



6 - 4PCS



A - 4PCS
6mmX50mm



B - 20PCS
6mmX35mm



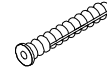
C - 1PC



D - 1PC



E - 1PC
4.8mmX30mm

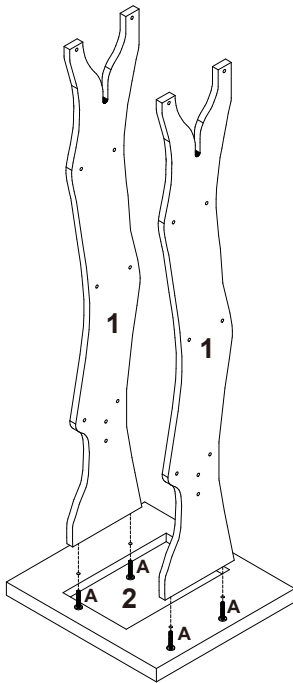


F - 1PC
5mmX30mm



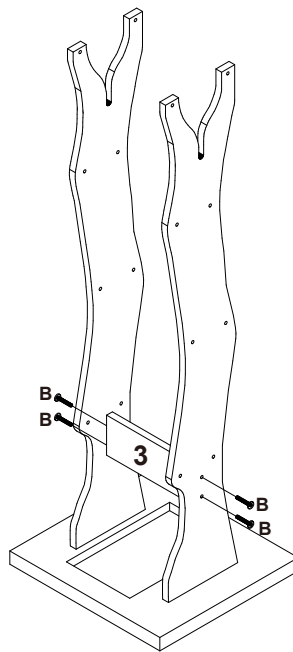
G - 1PC
4mm

STEP 1



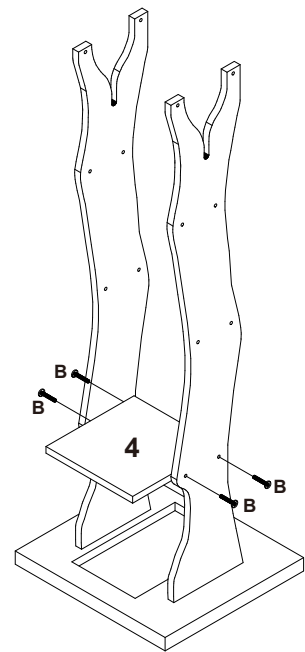
Holding Side Panels (1), Insert Bolts (A) into bottom of Base Platform (2) and into bottom-most holes of Side Panels (1). Lightly Tighten with Allen Wrench. **Do not overtighten bolts.**

STEP 2



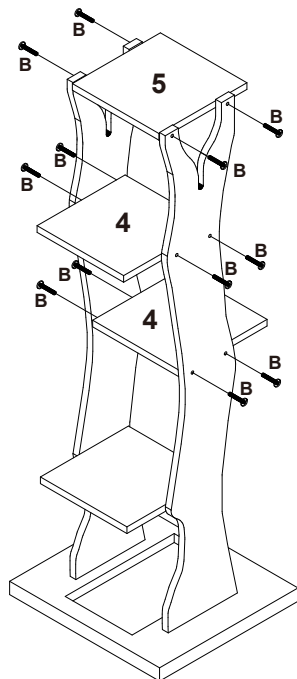
Insert Bolts (B) into the 2 bottommost holes on both Side Panels (1) and attach to Support Bar (3). **Lightly tighten** Bolts (B) with Allen Wrench.

STEP 3



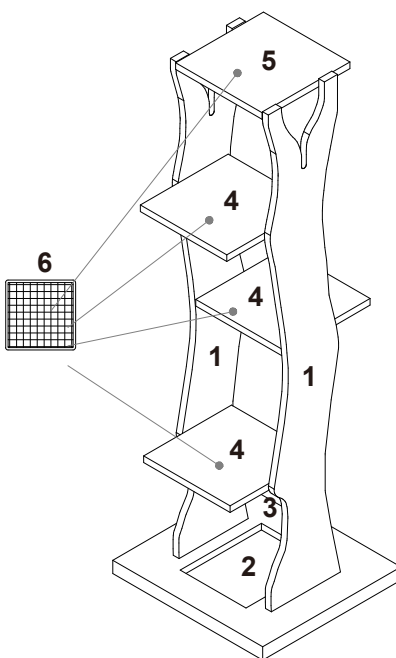
Starting at the bottom of tree and working up, attach 1 Middle Platforms (4) to both Side Panels (1) using Bolts (B). **Lightly tighten** Bolts (B) with Allen Wrench.

STEP 4



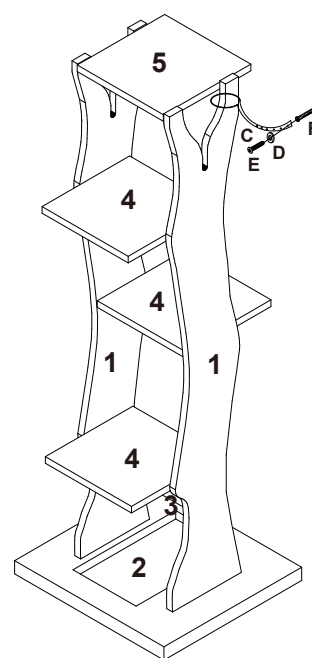
attach 2 Middle Platforms (4) to both Side Panels (1) using Bolts (B) Attach Top Platform (5) to both Side Panels (1) using Bolts (B).

STEP 5



Attach Sisal Mats (6) to 3 Middle Platforms (4) and Top Platform (5) by aligning onto the pre-attached Velcro strips.

STEP 6



Starting at the top of the Tree, **COMPLETELY TIGHTEN** all Bolts (B). For your safety, also install Wall Anchor Strap (C) by wrapping Strap around the top branch of the tree. Insert Screw Anchor (F) into wall. Then, insert Anchor Bolt (E) and Washer (D) through Wall Anchor Strap (C) and into Screw Anchor (F)

Ensure all parts are connected, securely locked into position, and the Sisal Mats (6) are smoothed down. Be sure to read below warnings and labels.

Need assistance? We're here to help!

Call us TOLL FREE at 1-844-CAT-MEOW (228-6369)

or email us at support@meowingtons.com.

We'd love to see your cats enjoying the tree!

Please tag us in any photos on Instagram

@meowingtonsco and/or Facebook @MeowingtonsInc

WARNINGS & CAUTIONS

PLEASE READ AND FOLLOW ALL WARNINGS AND INSTRUCTIONS TO AVOID PET INJURY OR PROPERTY DAMAGES.

- Keep all tools and instructions in a safe place for future reference.
- Follow the instructions carefully and make sure to complete each step.
- This cat tree is intended for cat use only, please keep children away.
- Keep all small parts away from children/pets to avoid choking hazards.
- Use Wall Anchor Strap to secure the cat tree to the wall.
- Never climb, rock, shake, step, or hang on the cat tree.
- Place your cat tree indoors, away from direct sunlight or damp areas.
- Cat trees should be placed on a flat, level surface for stability.
- Check your cat tree often for loose screws or parts that might need re-tightening.
- If your cat tree gets torn or damaged, please discard it.
- The product photo may vary slightly from your fully assembled cat tree as this product is continually being enhanced.