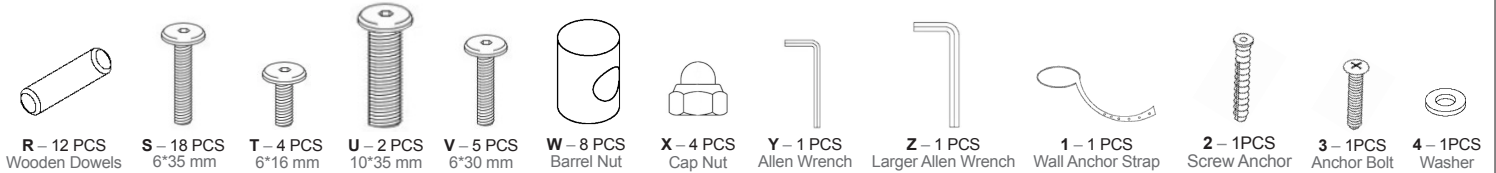


# JUNGLE GYM CAT TREE CONDO INSTRUCTIONS

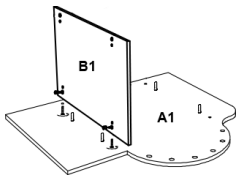
**NOTE:** 2-person assembly required. It is suggested that you have a Building Buddy to help you assemble this tree (and maybe a glass of wine). And no matter what your Building Buddy says, yes, you do need the instructions. If you're more of a visual person, check out our instructional video at <https://www.meowingtons.com/pages/help>

## PARTS LIST

- |                                |                                |                                  |                                    |                                  |
|--------------------------------|--------------------------------|----------------------------------|------------------------------------|----------------------------------|
| <b>A1</b> – Base Platform      | <b>B3</b> – Playpen Back Panel | <b>F</b> – Scratching Pole (x1)  | <b>K</b> – Support Bracket (x1)    | <b>Q</b> – Faux Fur Cushion (x1) |
| <b>A2</b> – Playpen Platform   | <b>C</b> – Playpen Bars (x6)   | <b>G</b> – Support Beam (x1)     | <b>M</b> – Hammock (x1)            |                                  |
| <b>B1</b> – Playpen Side Panel | <b>D</b> – Curved Panel        | <b>H</b> – Hammock Platform (x1) | <b>N</b> – Sisal Scratch Pad (1)   |                                  |
| <b>B2</b> – Playpen Side Panel | <b>E</b> – Top Platform        | <b>J</b> – Support Brackets (x2) | <b>P</b> – Felt Platform Pads (x3) |                                  |

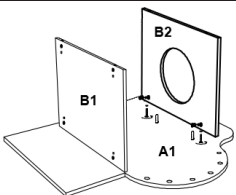


### STEP 1



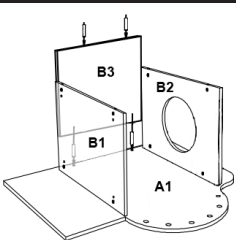
On Base Platform (A1), Insert Wooden Dowels (Rx4) into innermost center holes. Then, taking Playpen Side Panel (B1), insert Barrel Nuts (Wx2) into bottom side holes of the Side Panel (B1). Align Barrel Nuts (W) so the holes align with the Base Platform (A1). **TIP:** Use Cross-Head screwdriver to hold the Barrel Nut in place or to rotate and realign Barrel Nut if necessary. Attach Playpen Side Panel (B1) onto LEFT side of Base Platform (A1) by lining up Dowels (R) with the holes and attach with S Bolts.

### STEP 2



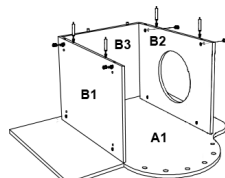
Repeat Step 2 to attach Playpen Side Panel (B2) onto Base Platform (A1) on the opposite side parallel to Side Panel (B1).

### STEP 3



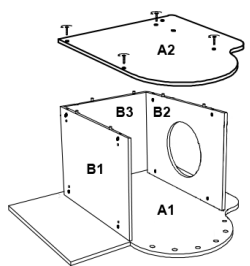
Insert Wooden Dowels (Rx4) into top and bottom holes of Playpen Back Panel (B3), and attach to Base Platform (A1) by lining up Wooden Dowels (R) with the holes on both Parts.

### STEP 4



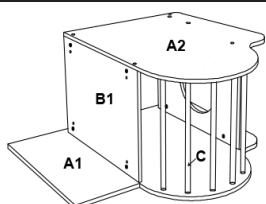
Insert Barrel Nuts (Wx4) into TOP outer side holes of both Playpen Side Panel (B1) and Playpen Side Panel (B2). Insert Wooden Dowels (Rx4) into top of Playpen Side Panel (B1) and Playpen Side Panel (B2).

### STEP 5



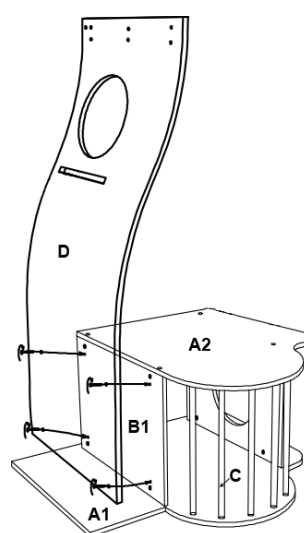
Taking Playpen Platform (A2), Align holes with the Wooden Dowels (R) in Playpen Side Panel (B1) and (B2) and Playpen Back Panel (B3) and gently press down. Insert S Bolts (x4) through top of Playpen Platform (A2) into Playpen Side Panel (B1) and Playpen Side Panel (B2). Lightly tighten bolts using Allen Wrench (Y) while keeping Barrel Nuts (W) aligned using Cross-Head screwdriver. **DO NOT FULLY TIGHTEN BOLTS.**

### STEP 6



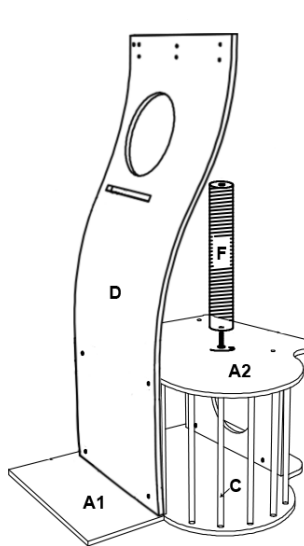
Insert Playpen Bars (C) into indicated holes in Base Platform (A1). Finish tightening Bolts on top of Playpen Platform (A2).

### STEP 7



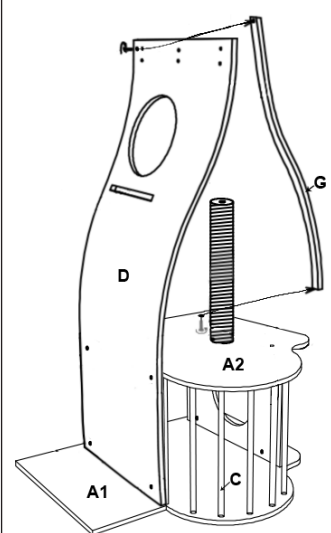
Stand Curved Panel (D) upright with Circular Opening positioned at top; Attach Curved Panel (D) to Side Panel (B1) with V Bolts (x4) by aligning the holes on both parts.

### STEP 8



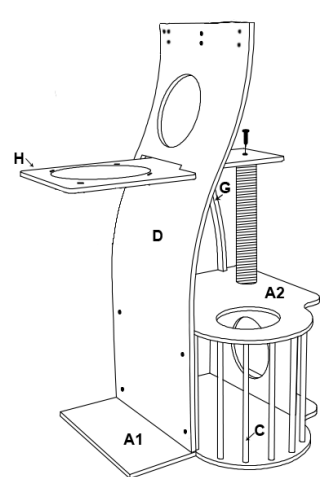
Attach Scratching Pole (F) to top of Playpen Platform (A2) with U Bolt (x1) by aligning holes and screwing on the Pole with a clockwise twisting motion.

### STEP 9

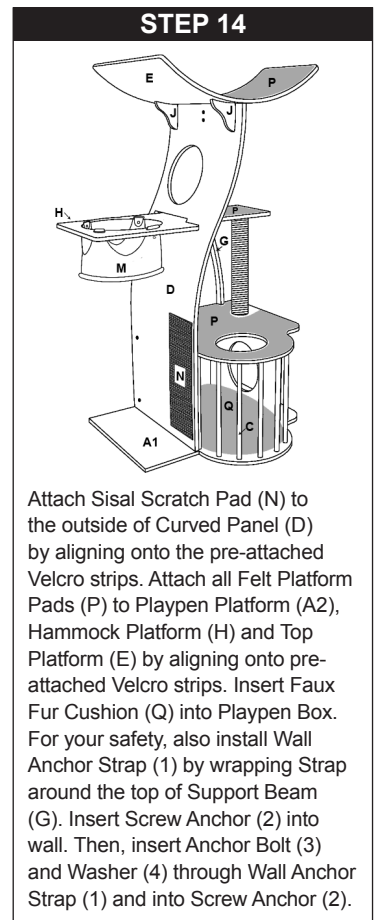
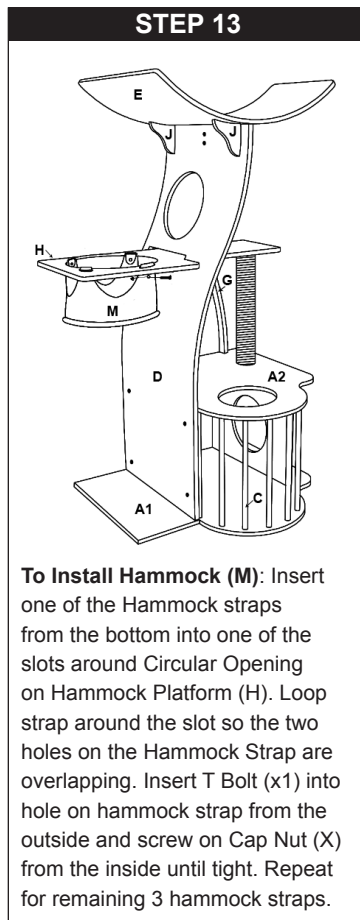
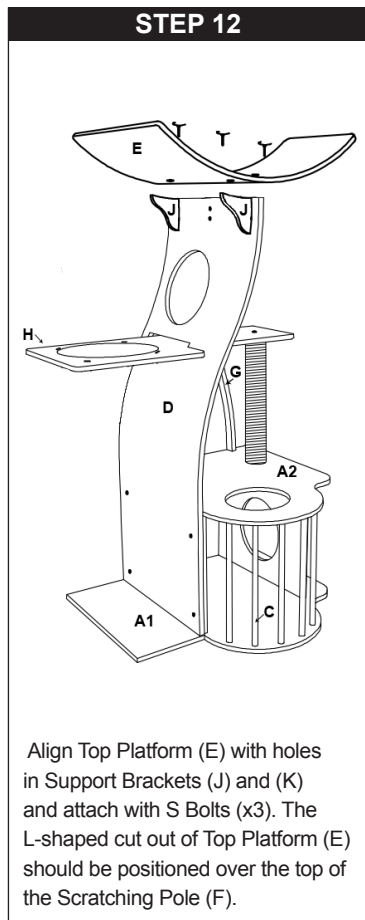
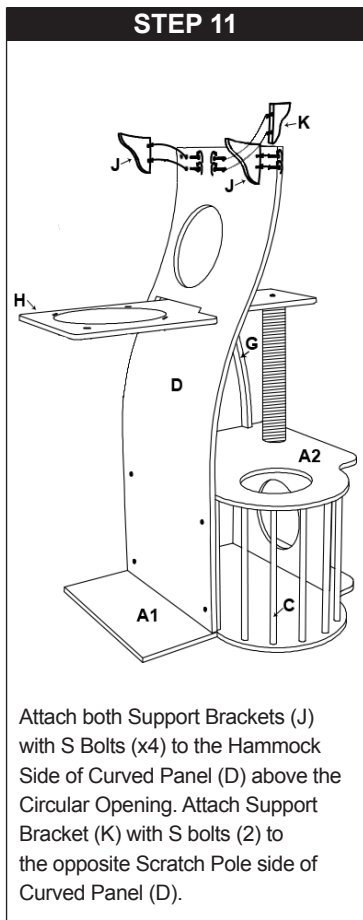


Attach bottom of Support Beam (G) to Playpen Platform (A2) with S Bolt (x1). Attach top of Support Beam (G) to top of Curved Panel (D) with V Bolt (x1).

### STEP 10



Insert Hammock Platform (H) into the horizontal slot in Curved Panel (D), and push all the way through. Attach the inserted end of Hammock Platform (H) to top of Scratching Pole (F) using U Bolt (x1) and tighten with Larger Allen Wrench (Z).



**Give your Building Buddy a high five - your Tree is now ready for use! Ensure all parts are connected and securely locked into position. Be sure to read below warnings and labels. Attach Wall Anchor Strap for your own safety.**



**Need assistance? We're here to help!**  
Call us TOLL FREE at 1-844-CAT-MEOW (228-6369)  
or email us at [support@meowingtons.com](mailto:support@meowingtons.com).

**View instructional video at**  
<https://www.meowingtons.com/pages/help>

## WARNINGS & CAUTIONS

**PLEASE READ AND FOLLOW ALL WARNINGS AND INSTRUCTIONS TO AVOID PET INJURY OR PROPERTY DAMAGES.**

- Keep all tools and instructions in a safe place for future reference.
- Follow the instructions carefully and make sure to complete each step.
- This cat tree is intended for cat use only, please keep children away.
- Keep all small parts away from children/pets to avoid choking hazards.
- Use Wall Anchor Strap to secure the cat tree to the wall.
- Never climb, rock, shake, step, or hang on the cat tree.
- Place your cat tree indoors, away from direct sunlight or damp areas.
- Cat trees should be placed on a flat, level surface for stability.
- Check your cat tree often for loose screws or parts that might need re-tightening.
- If your cat tree gets torn or damaged, please discard it.
- The product photo may vary slightly from your fully assembled cat tree as this product is continually being enhanced.

**We'd love to see your cats enjoying the tree!**

Please tag us in any photos on Instagram [@meowingtonsco](https://www.instagram.com/meowingtonsco) and/or Facebook [@MeowingtonsInc](https://www.facebook.com/MeowingtonsInc)