

PRODUCT:

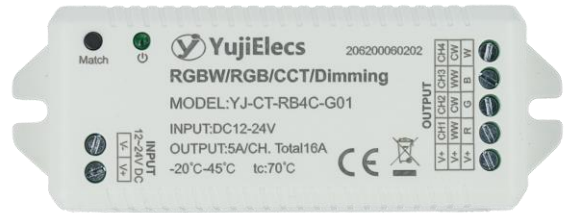
4-channel Dimmer Receiver

FEATURES:

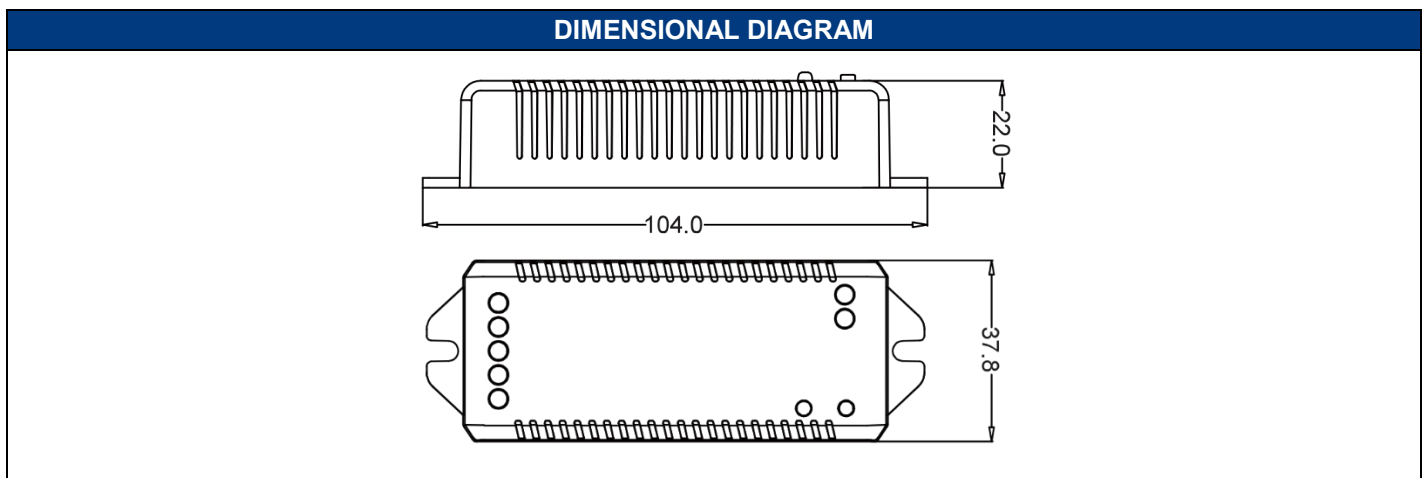
- 12-24V DC input
- 4 constant voltage output, each channel 5A max.
- 2.4G RF remote control, 20m distance transmission.
- 10 preset modes
- Compatible with LED strip lights or constant voltage panel lights.
- Can be used with a variety of remote controllers.

DESCRIPTION:

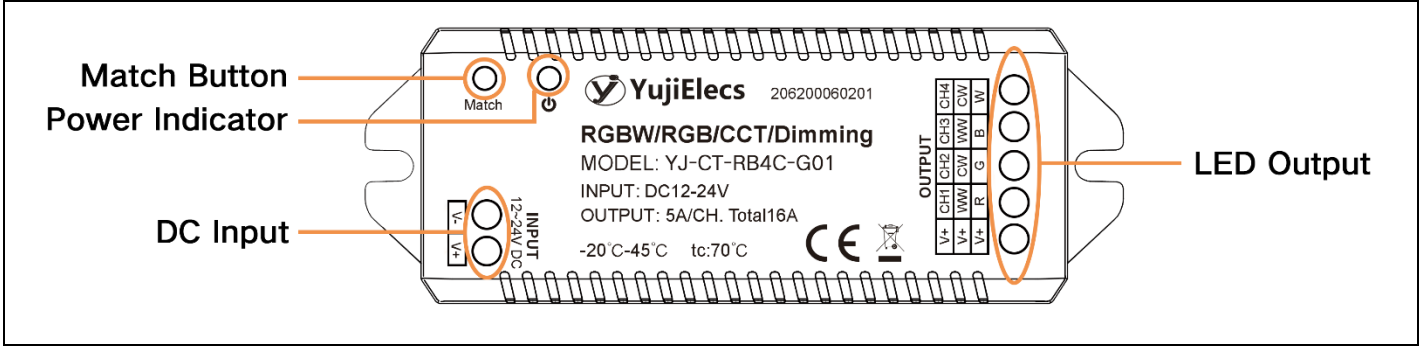
This YujiElecs 4-channel dimmer receiver can control most 12V or 24V LED strip lights when paired with a compatible remote control. Together with the remote, it can easily control white, tunable white, RGB, and RGBW LED strips. Use the remote to set any color temperature, brightness or color cycle for any desired color mode.



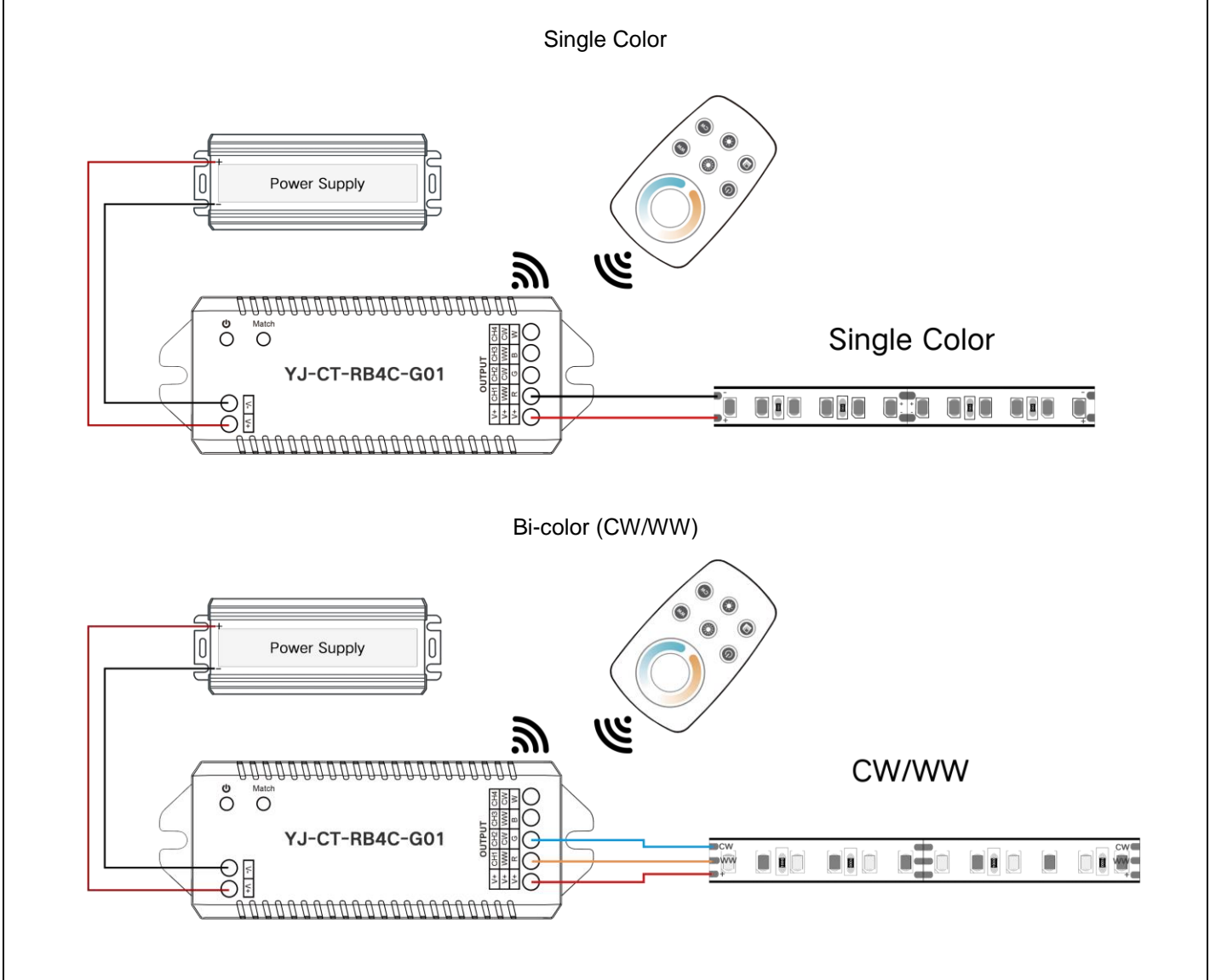
TECHNICAL PARAMETERS	
Channels	4 channels
Input Voltage	12-24V DC
Output Voltage	12-24V DC
Output Current	5A/CH Total Max 16A
Preset Color Modes	10
Protections	Short-circuit, over current, over temperature
Dimensions	104 mm x 37.8 mm x 22 mm
Weight	51g
Operating Temperature	-20°C~45°C

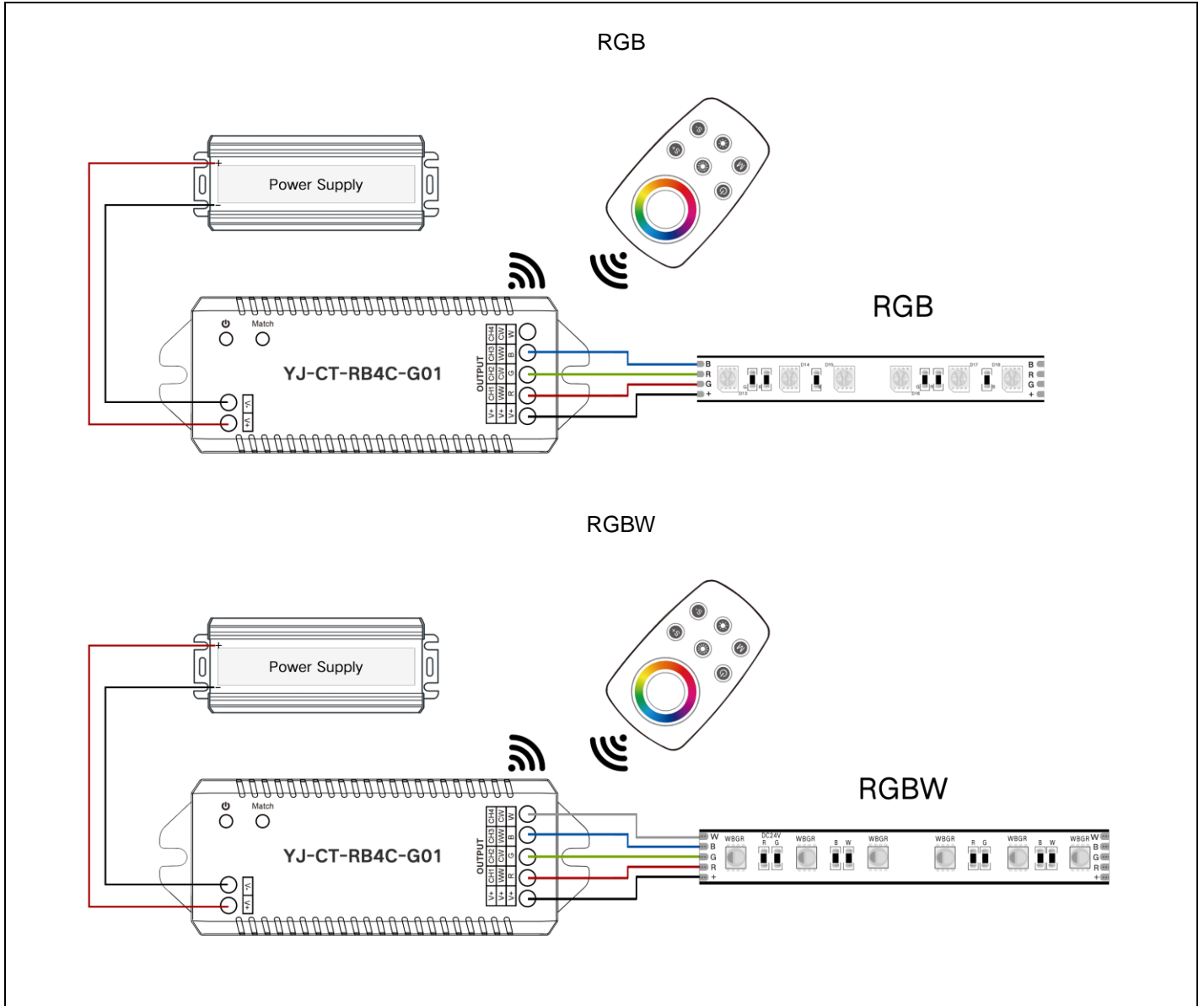


PRODUCT INTERFACE



WIRING DIAGRAM





MATCHING INSTRUCTIONS

With Power Switch

Connect: Turn off the power for 10 seconds and turn on again. Press the ON/OFF button on the remote 3 times within 5 seconds, and the lights will blink 3 times to indicate a successful sync.

Disconnect: Turn off the power for 10 seconds and turn on again. Press the ON/OFF button on the remote 6 times within 5 seconds, and the lights will blink 6 times. The remote is disconnected.



YJ-CT-RB4C-G01 Specification & User Manual 4-Channel Dimmer Receiver

PRESET MODES	
1. Red/Green/Blue jump	6. RGB fade in/out
2. Red/Green/Blue fade	7. Red fade in/out
3. 6 color jump	8. Green fade in/out
4. 6 color fade	9. Blue fade in/out
5. Yellow/Cyan/Purple fade	10. White fade in/out

TROUBLESHOOTING	
If the light is not turning on:	<ol style="list-style-type: none">1. Make sure the Power Indicator on the receiver is on. If it's not the receiver isn't getting power,2. Make sure the polarity of the power supply wires match the polarity of the channels on the receiver input terminal.3. Check the polarity on the receiver output terminal. Make sure that the LED strip channels are connected to the receiver correctly.4. Make sure all the connections (solderless connectors, solder joints, terminal blocks, and spliced wires) are secure and making correct contact.5. Make sure the power supply is compatible and is sufficient to handle the load of the LED.
If the remote is not responding or responding with a delay:	<ol style="list-style-type: none">1. Reinstall the battery in the remote.2. Replace with a new battery for the remote.3. Check if the remote distance is too far. Try to use the remote on a closer spot.