



Headquarter

Beijing Yuji International Co., Ltd.
Room 1502, Building No.6, Jia No.2, North Xisanhuan Road, 100081 Beijing, China
Tel: +86-10-6829-0301
Email: lighting@yujigroup.com

US Subsidiary

Yuji America Corp.
3711 Long Beach Boulevard, Long Beach, CA 90807, USA
Tel: +1-562-391-9140
Email: usa@yujigroup.com

中国总部

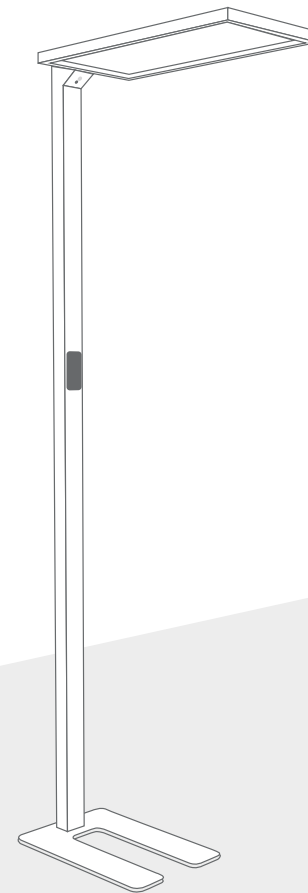
北京宇极科贸有限公司
北京市海淀区西三环北路甲2号院6号楼1502室, 100081
电话: (010) 68290301
邮箱: lighting@yujigroup.com

www.yujilighting.com



MISSION-02

INSTALLATION INSTRUCTIONS
MODE DESCRIPTIONS



Read this manual before operation

Thank you for choosing Yuji Lighting product, now we are excited to have you become a new member of our Mission-02 user community. We are committed to providing the ultimate lighting experience thanks to our state-of-art LED technology. Please feel free to contact us if you would like to learn more about our products and service.

North America:

Hotline: +1-562-391-9140

Email: usa@yujigroup.com

Global:

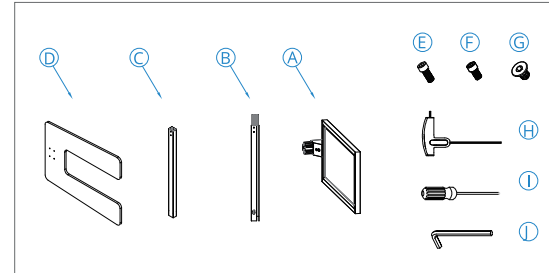
Hotline: +86-10-6829-0301

Email: lighting@yujigroup.com

Yuji Lighting team

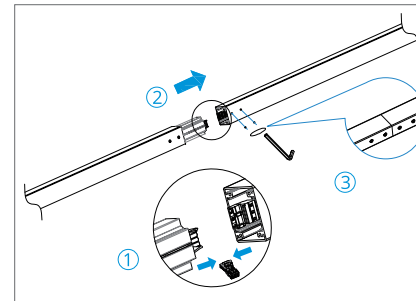
Installation instructions

1 Part List



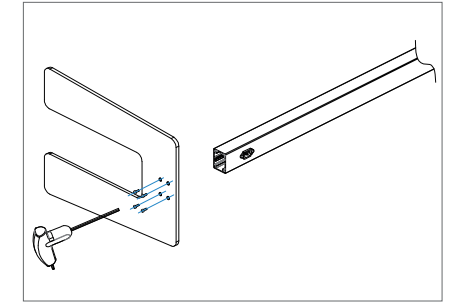
NO.	Description	Qty
A	Lamp	1
B	Light pole-lower part	1
C	Light pole-upper part	1
D	Base	1
E	Screws A to secure the base	4
F	Screws B to secure the lamp	4
G	Screws C to secure the light pole	2
H	Hexagon wrench (for screws A and B)	1
I	Screwdriver (for cap cover)	1
J	Hexagon screwdriver (for screws C)	1

2 Assemble the lamp pole



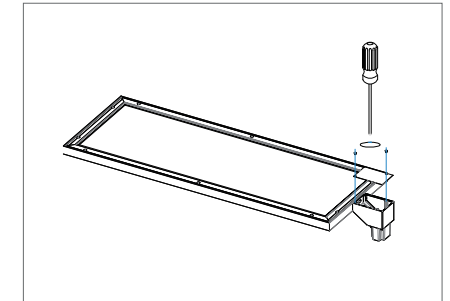
- ① Connect the wire terminals.
- ② Push the light pole into the splice position.
- ③ Use screws C to fix the poles.

3 Assemble the base and lamp pole



- ④ Use screws A and hexagon wrench to connect the base and light pole.

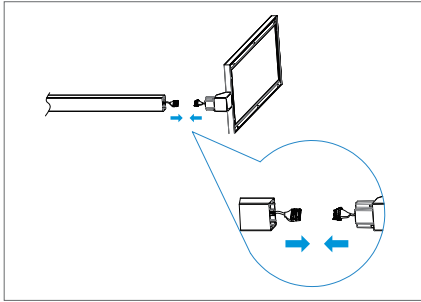
4 Remove the cover



- ⑤ Open the box of lamp body.

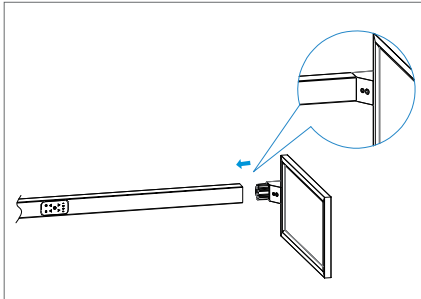
Installation instructions

5 Connect the wiring terminals



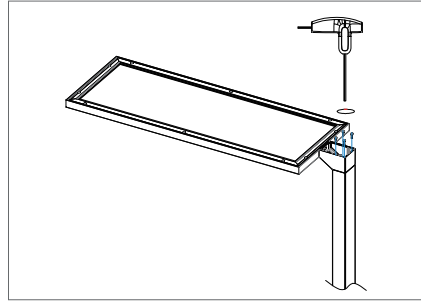
⑥ Connect the wiring terminals.

6 Assemble the lamp and lamp pole



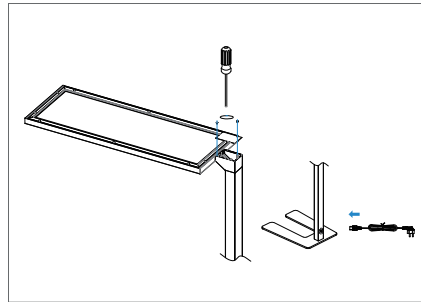
⑦ Push the lamp into the splice position.

7 Secure the lamp



⑧ Fix the lamp holder with the screws B.

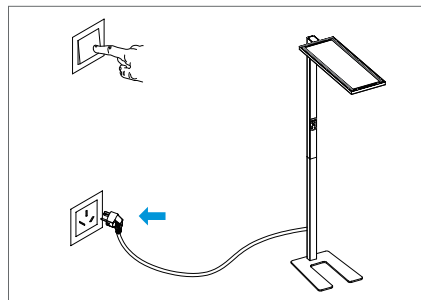
8 Assemble the cover



⑨ Close the box by screws.

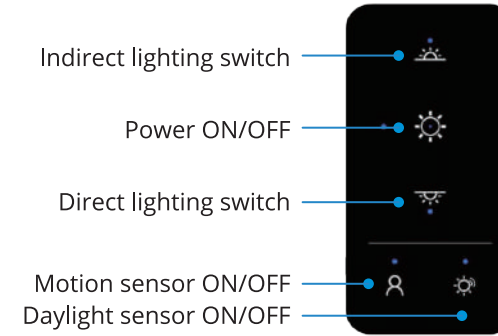
⑩ Insert the tail of the AC cable into the terminal seat of lamp pole.

9 Place the light in the preferred location and turn it on



Mode Function Description

1 Control Panel Introduction

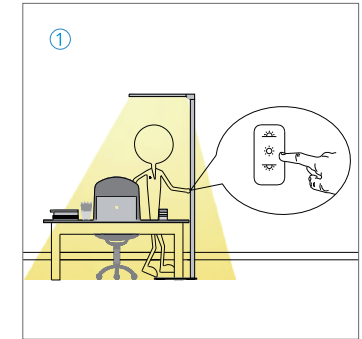


2 Overview of operation modes

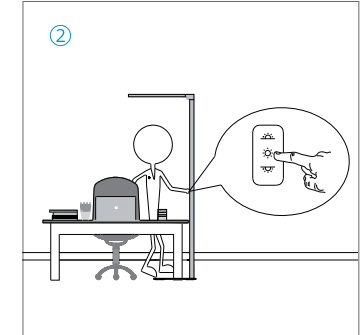
- **Standard Mode:** This lamp only operates in on/off and dimming mode.
- **Motion Sensor Mode:** The lamp will automatically turn on when human approaching is detected and turns off automatically after an 8-minute dimmed light since absence of humans.
- **Constant Illuminance Mode:** The brightness of the lamp will automatically adjust according to the brightness of the surrounding environment, in order to maintain a constant illuminance on the desktop.
- **Motion Sensor Mode + Constant Illuminance Mode:** Activate two sensors at the same time, and the lamp will function in both modes simultaneously.

3 Standard Mode

3.1 Turn on and off the lamp:

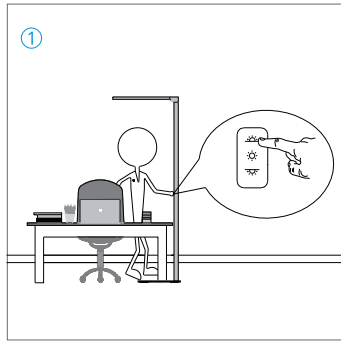


▶ Short press "☀️" to turn on the light.

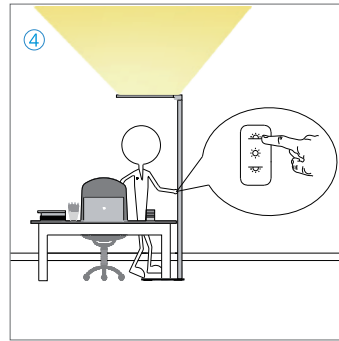


▶ Short press "☀️" again to turn off the light.

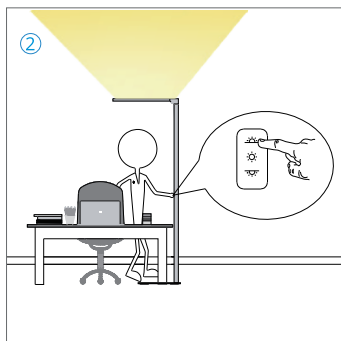
3.2 Control of the indirect light after power on:



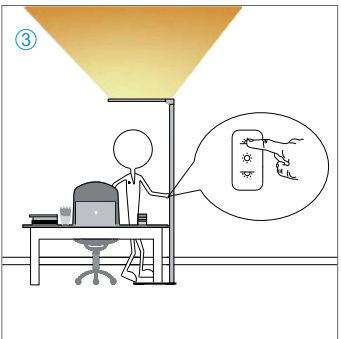
▶ Short press "☀️/—" to turn indirect light off.



▶ Press and hold "☀️/—" again to turn brighter.

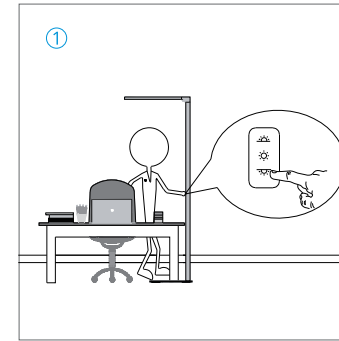


▶ Short press "☀️/—" again to turn indirect light on.

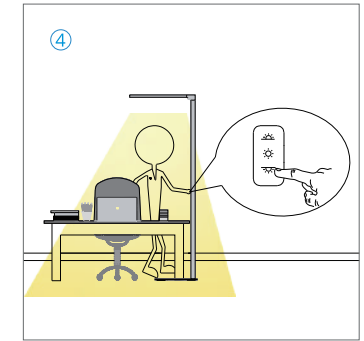


▶ Press and hold "☀️/—" to dim.

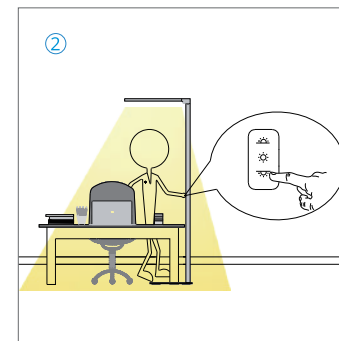
3.3 Control of the direct light after power on:



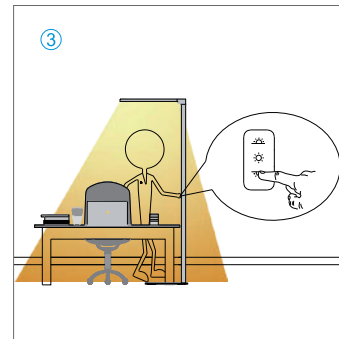
▶ Short press "☀️/—" to turn direct light off.



▶ Press and hold "☀️/—" again to turn brighter.



▶ Short press "☀️/—" again to turn direct light on.

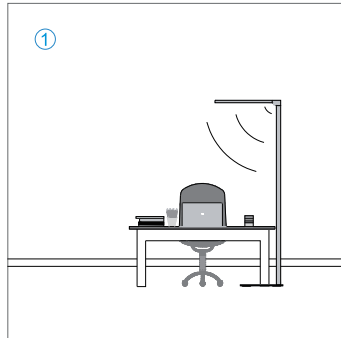


▶ Press and hold "☀️/—" to dim.

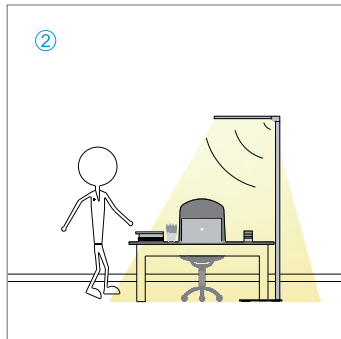
3.4 Memory function:

When this lamp is powered on, it remains the same lighting mode and condition as it was powered off.

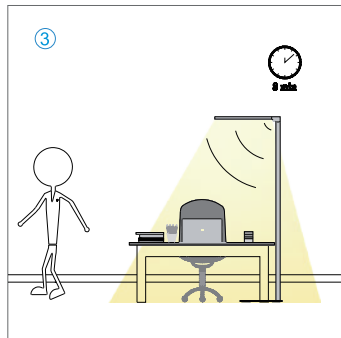
4 Motion Sensor Mode



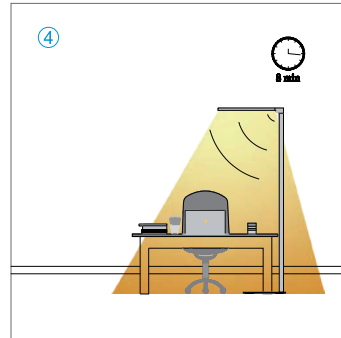
- ▶ Press " 👤 " to turn on the motion sensor and this lamp is in standby mode.



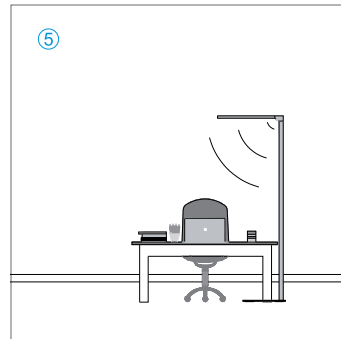
- ▶ When motion is detected with approach of a human, this lamp auto-activates and perform lighting condition of its previous time.



- ▶ A lighting condition remains for 8 minutes since the absence of humans.

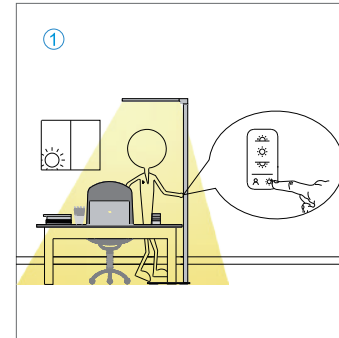


- ▶ The lamp turns into lower level of brightness and remains for another 8 minutes.

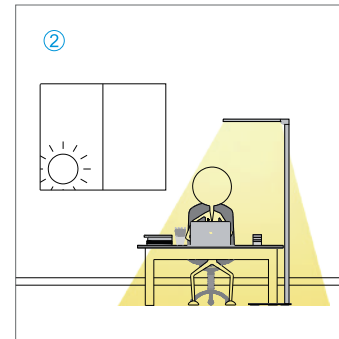


- ▶ This lamp turns into standby mode if absence of humans remains.

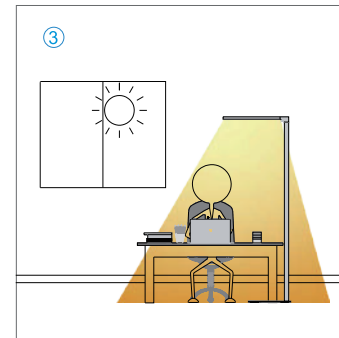
5 Constant Illuminance Mode



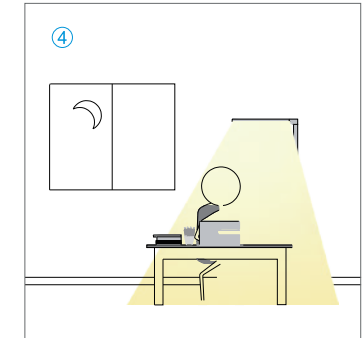
- ▶ Set your preferred lighting condition and press " ☀ " to activate the Constant Illuminance Mode.



- ▶ Lamp remains a constant illuminance with unchanged ambient light.



- ▶ Lamp adjusts brightness to maintain a constant illuminance as ambient light increases.



- ▶ Lamp adjusts brightness to maintain a constant illuminance as ambient light decreases.