

WOOD BASE CHAIRS and Ottoman

Cherner

The Cherner Chair Company

PO Box 509
Ridgefield, CT 06877
www.ChernerChair.com

1.866.243.7637

Dimensions

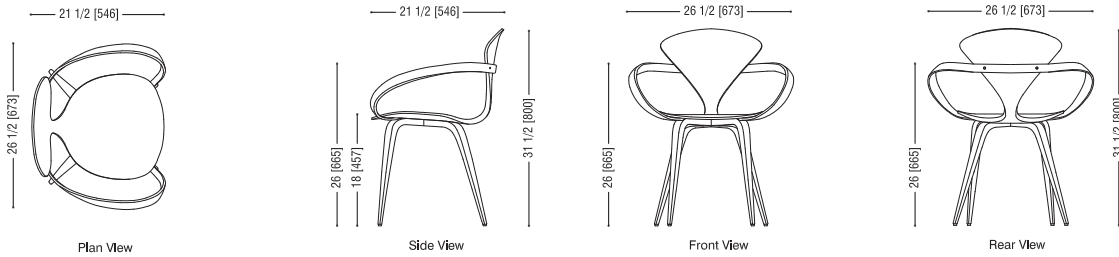
All dimensions are in inches and millimeters. Add 1/2" (13mm) to seat height for upholstery pads. Dimensioned drawings below can be downloaded at www.chernerchair.com

Specifications

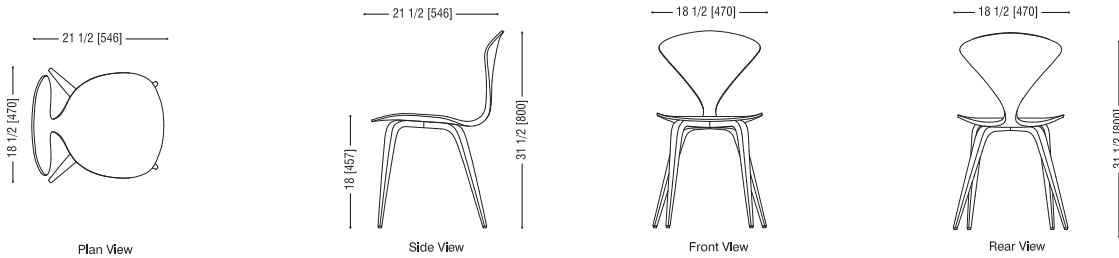
Seat: One piece molded plywood. Beech core laminations, w/ face veneers in beech, walnut, red gum or white oak.

Wood Base: Two piece laminated beech, w/ face veneers in beech, walnut, red gum or white oak

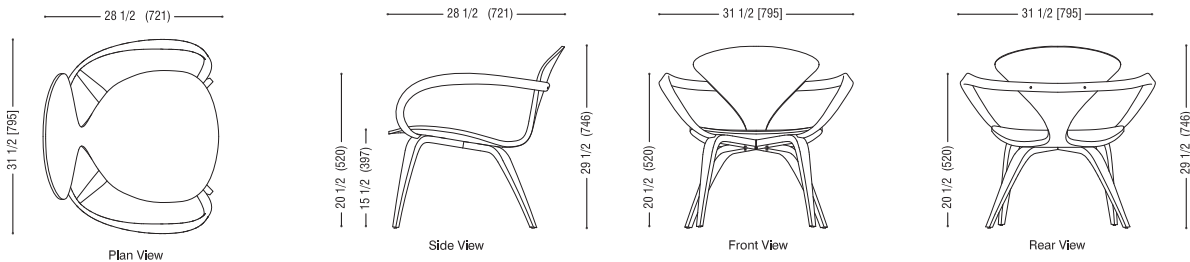
CHERNER ARM CHAIR Wood Base



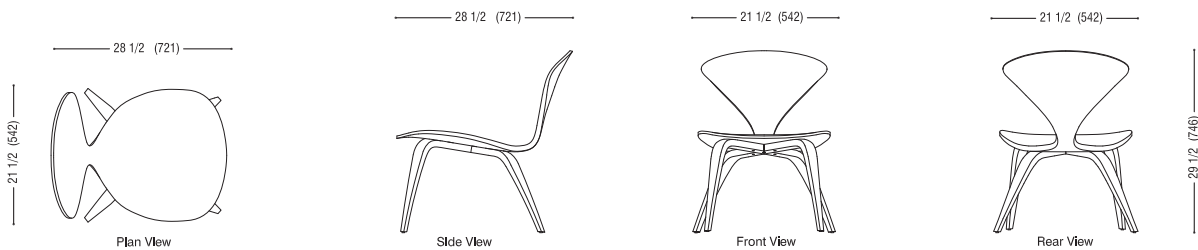
CHERNER SIDE CHAIR Wood Base



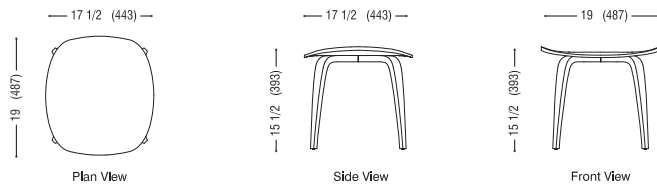
CHERNER LOUNGE CHAIR With Arms



CHERNER LOUNGE CHAIR Without Arms



CHERNER OTTOMAN



METAL BASE CHAIRS

Cherner

The Cherner Chair Company

PO Box 509
Ridgefield, CT 06877
www.ChernerChair.com

1.866.243.7637

Dimensions

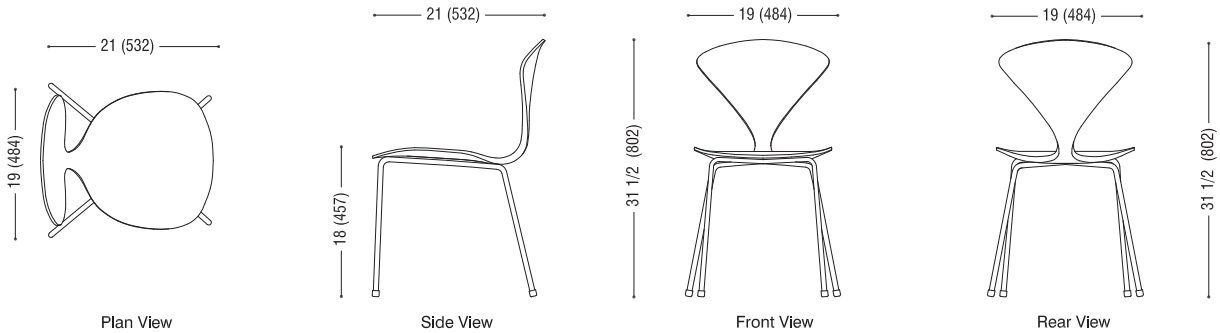
All dimensions are in inches and millimeters. Add 1/2" (13mm) to seat height for upholstery pads. Dimensioned drawings below can be downloaded at www.chernerchair.com

Specifications

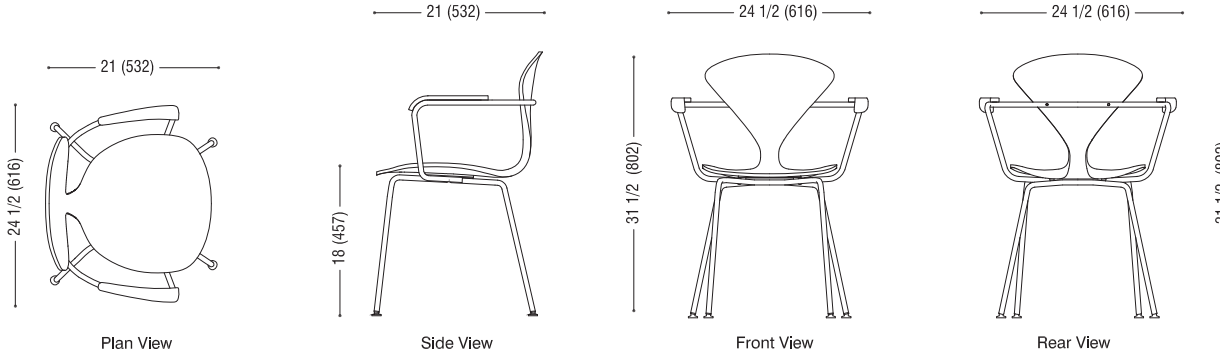
Seat: One piece molded plywood. Beech core laminations, w/ face veneers in beech, walnut, red gum or white oak.

Metal Base: 5/8" (14mm) steel tube w/ bright chrome finish

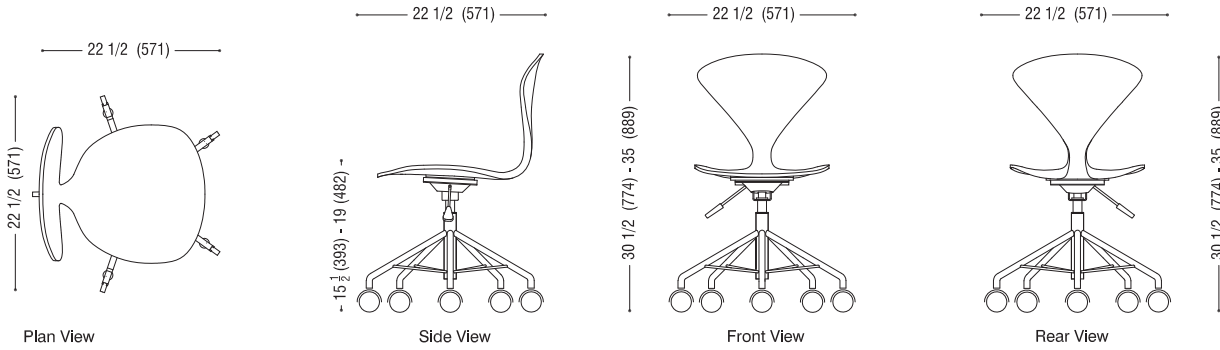
CHERNER METAL BASE CHAIR



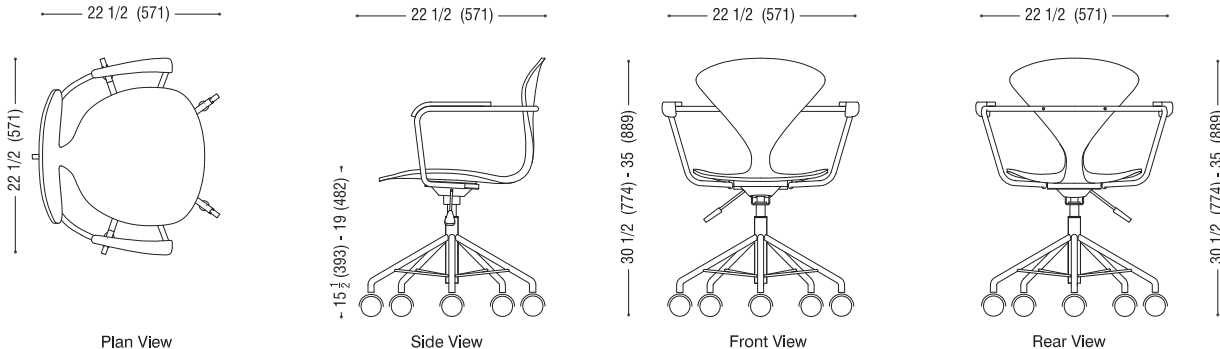
CHERNER METAL BASE CHAIR with arms



CHERNER TASK CHAIR



CHERNER TASK CHAIR With Arms



STOOLS

Dimensions

All dimensions are in inches and millimeters. Add 1/2" (13mm) to seat height for upholstery pads. Dimensioned drawings below can be downloaded at www.chernerchair.com

Specifications

Seat: One piece molded plywood. Beech core laminations, w/ face veneers in beech, walnut, red gum or white oak.

Wood Base: Two peice laminated beech, w/ face veneers in beech, walnut, red gum or white oak.

Metal Base: 5/8" (14mm) steel tube w/ bright chrome finish

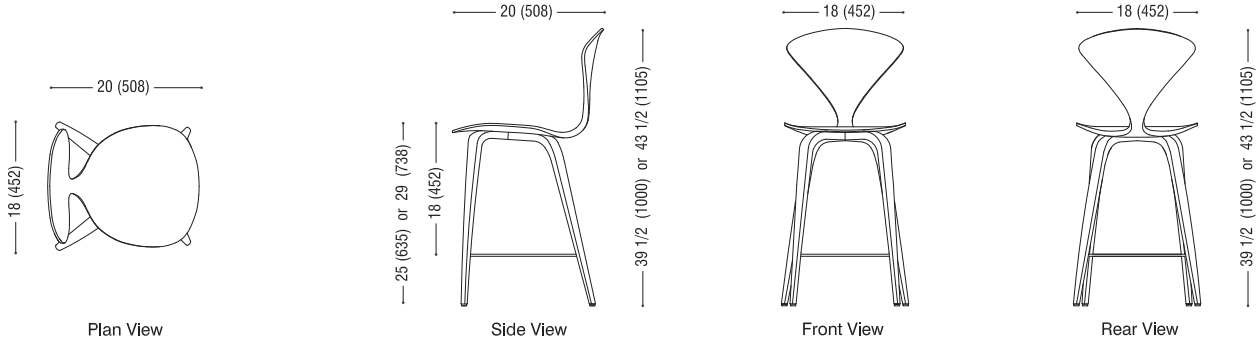
Cherner

The Cherner Chair Company

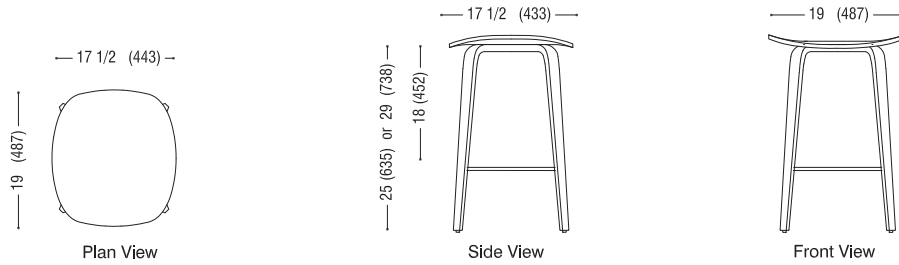
PO Box 509
Ridgefield. CT 06877
www.ChernerChair.com

1.866.243.7637

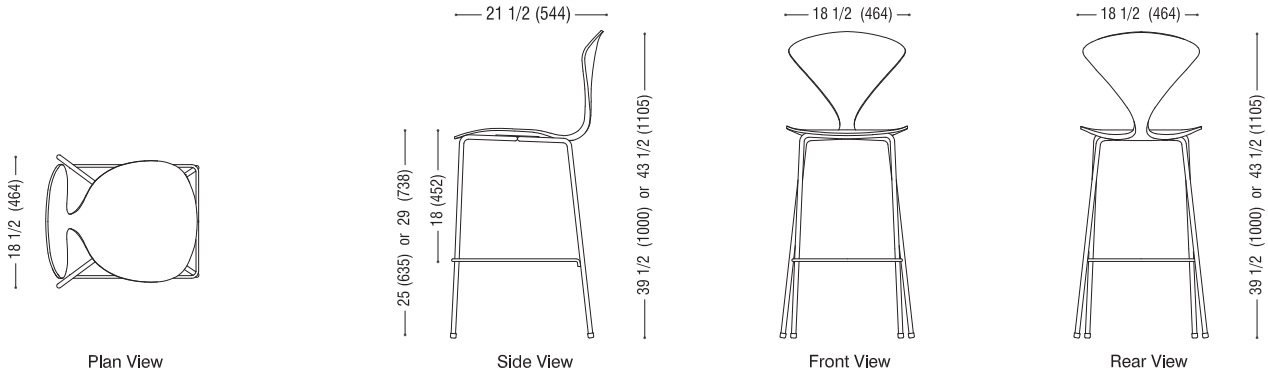
CHERNER STOOL/ COUNTER AND BAR HEIGHT Wood Base



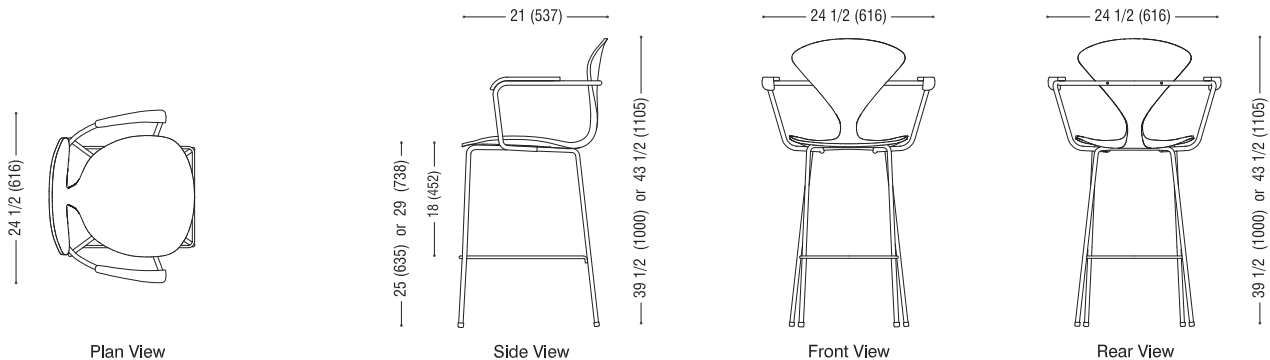
CHERNER UNDERCOUNTER STOOL/ COUNTER AND BAR HEIGHT Wood Base



CHERNER STOOL/ COUNTER AND BAR HEIGHT Metal Base



CHERNER STOOL/ COUNTER AND BAR HEIGHT Metal Base with Arm



ROUND AND OVAL TABLES

Cherner

The Cherner Chair Company

Dimensions

All dimensions are in inches and millimeters.
Dimensioned drawings below can be downloaded at www.chernerchair.com

Specifications

Top: One piece 1" multiply plywood core with walnut, beech or white oak face veneer. profiled exposed multiply core edge.

Wood Base: Laminated beech core. Face veneer in walnut, beech or white oak.

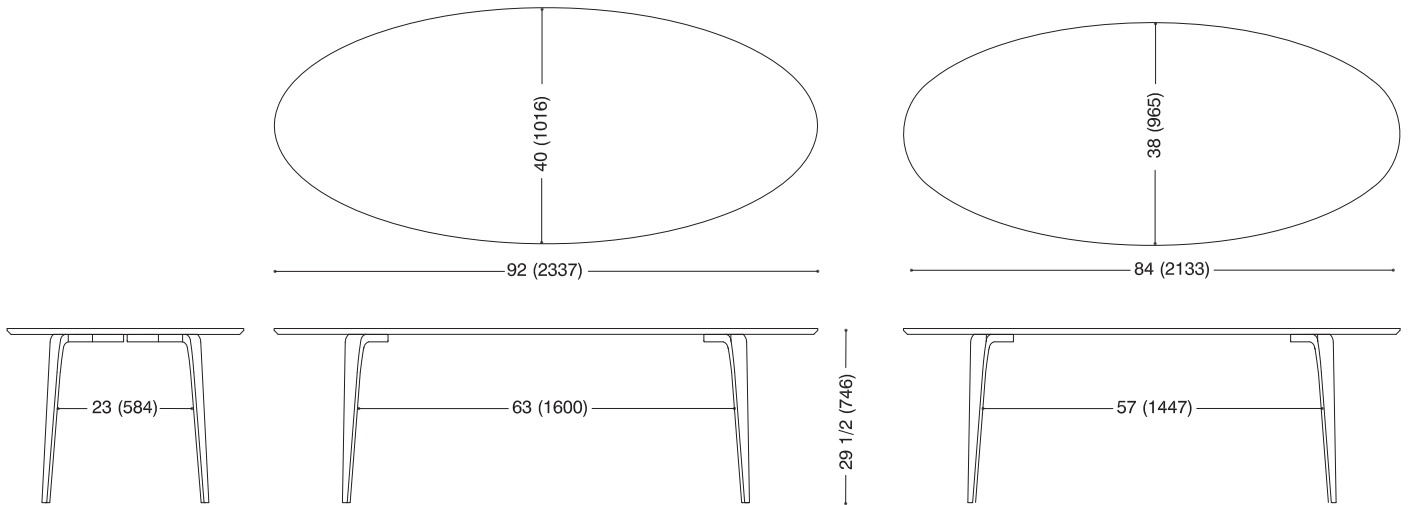
PO Box 509

Ridgefield, CT 06877

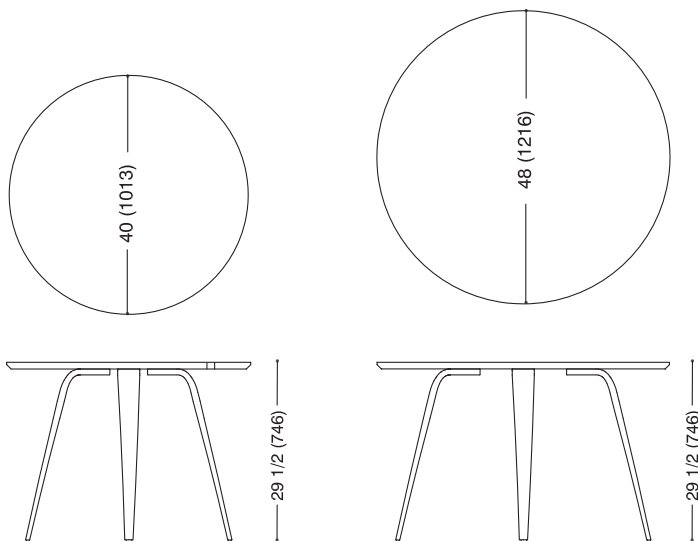
www.ChernerChair.com

1.866.243.7637

40"x 92" / 38"x 84" OVAL

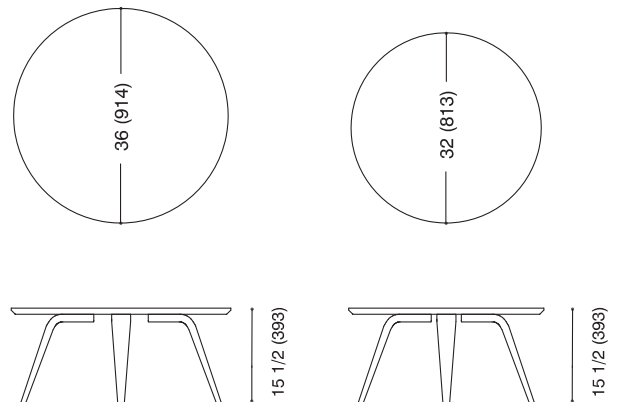


40" dia / 48" dia DINING TABLE



36" dia / 32" dia COFFEE TABLE

Face veneers in walnut only



RECTANGULAR TABLES

Cherner

The Cherner Chair Company

Dimensions

All dimensions are in inches and millimeters. Dimensioned drawings below can be downloaded at www.chernerchair.com

Specifications

Top: One piece 1" medium density fiber core with walnut, beech or white oak face veneer. Solid walnut, beech or white oak edge banding.

Wood Base: Laminated beech core. Face veneers in either walnut, beech or white oak.

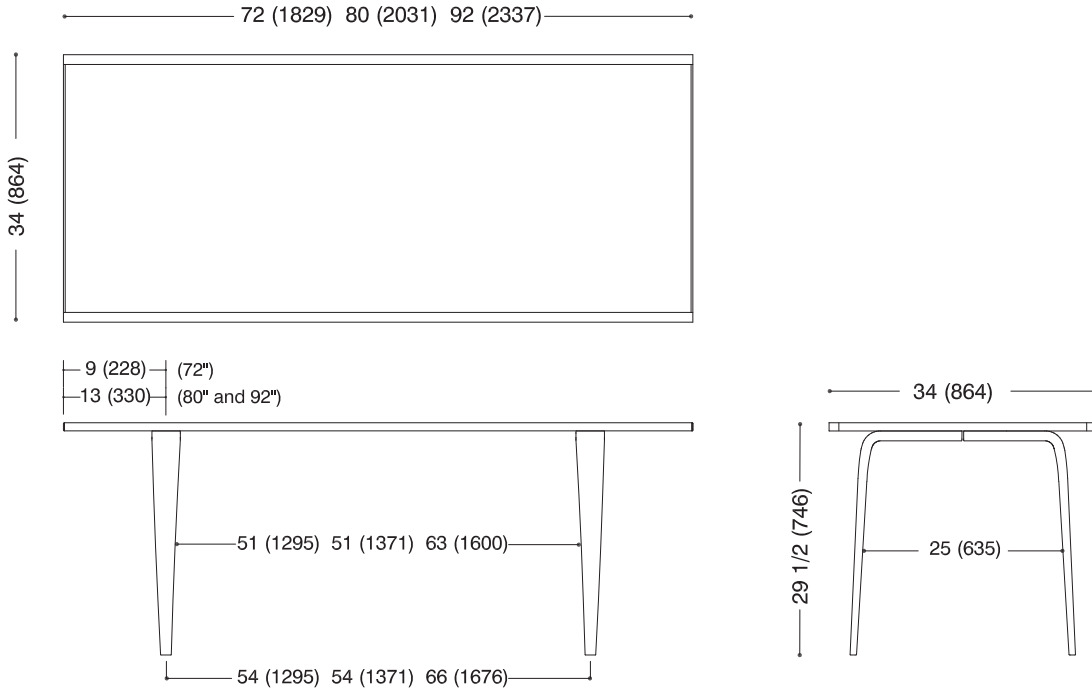
PO Box 509

Ridgefield, CT 06877

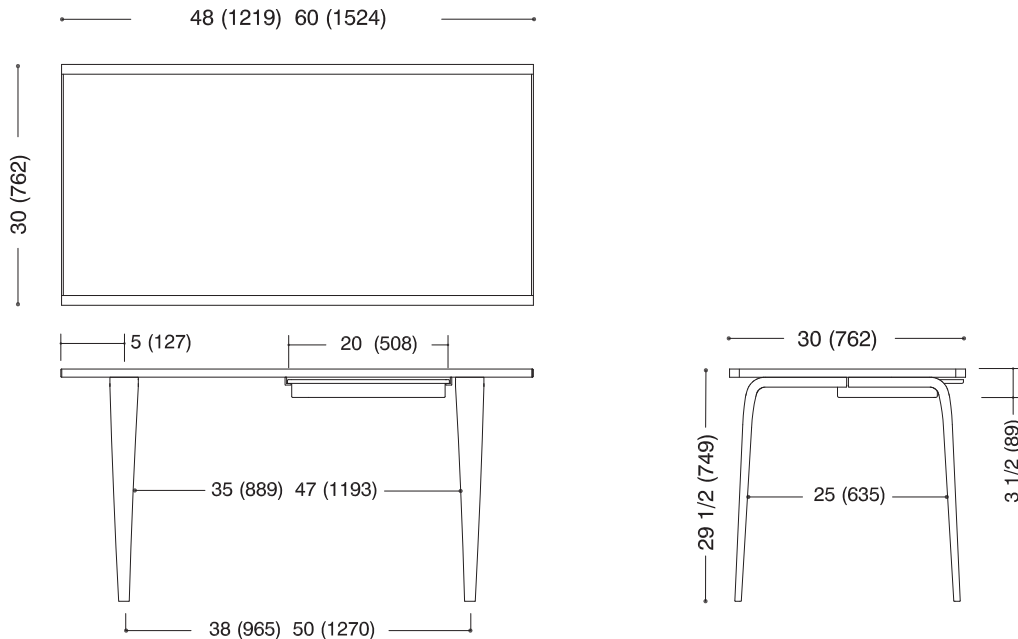
www.ChernerChair.com

1.866.243.7637

CHERNER 34"x 72" / 34"x 80" / 34"x 92" DINING TABLES



CHERNER 30"x 48" / 30"x 60" STUDIO DESKS w/ pencil drawer



SIDE TABLE

Dimensions

All dimensions are in inches and millimeters.
Dimensioned drawings below can be
downloaded at www.chernerchair.com

Specifications

Top: One piece 1" multiply plywood core
with walnut face veneer. Exposed and profiled
edge.

Wood Base: Laminated beech core. Walnut
face veneers.

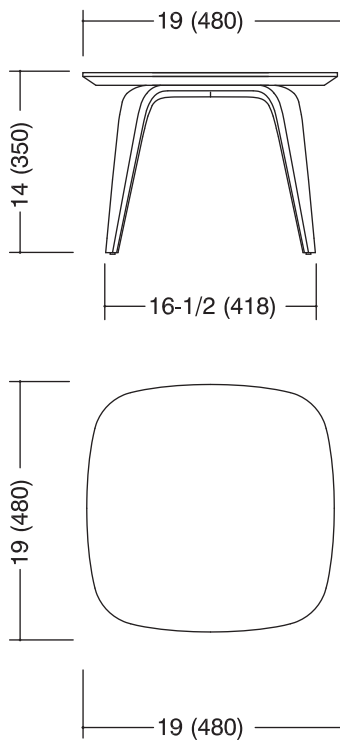
Cherner

The Cherner Chair Company

PO Box 509
Ridgefield, CT 06877
www.ChernerChair.com

1.866.243.7637

CHERNER 19"x 19" SIDE TABLE



MULTIFLEX

Dimensions

Multiflex storage is available 60" lengths and 29" and 21" heights. All multiflex units are 20" deep.

Finish

Multiflex units are available in Natural Walnut finish (clear coat only) or Classic Walnut finish (stain plus clear coat). Finishes are water based low VOC

Overview

Multiflex casegoods are hand-made in the U.S.A. from laminated and molded plywood. The carefully mitered joinery is expressed in the exposed and profiled multi-ply edges. The American Walnut veneer is hand selected and sourced from sustainably farmed forests.

The strong all plywood cabinet has either all drawers, all doors or drawer/ door combinations. All cabinets have one adjustable shelf. Every door or drawer is articulated with a unique molded plywood pull. A finished back panel allows the additional flexibility of placing Multiflex anywhere in a room.

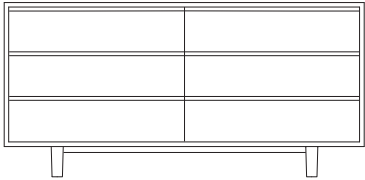
Cherner

The Cherner Chair Company

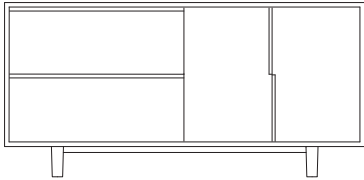
PO Box 509
Ridgefield, CT 06877
www.ChernerChair.com

1.866.243.7637

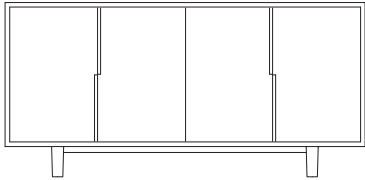
MULTIFLEX: L60" H29" D20"



6 Drawer Dresser

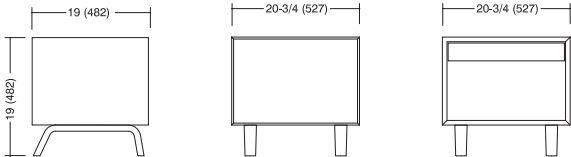


Lateral File Drawers w/ Cabinet



All Cabinet Sideboard

MULTIFLEX BEDSIDE TABLE



Bedside Table with drawer

CHILDREN'S FURNITURE

Cherner®

The Cherner Chair Company

PO Box 509
Ridgefield. CT 06877
www.ChernerChair.com

1.866.243.7637

Dimensions

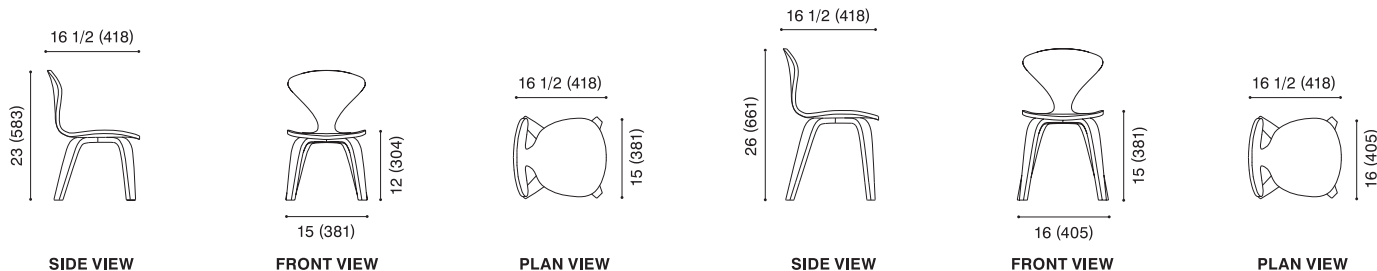
All dimensions are in inches and millimeters. Dimensioned drawings below can be downloaded at www.chernerchair.com

Specifications

Chairs: Exposed laminated wood legs with 9 ply molded plywood shell, birch core with birch or walnut face veneer.

Tables: Exposed edge laminated wood legs with 1" thick cross-ply plywood tops. Birch core with birch or walnut face veneer. Plastic laminate available on 60" x 30" tops

CHILDREN'S CLASSROOM CHAIR 12" or 15" seat height



CHILDREN'S CLASSROOM TABLES 30" x 30" and 30" x 60" 20" or 24" height

