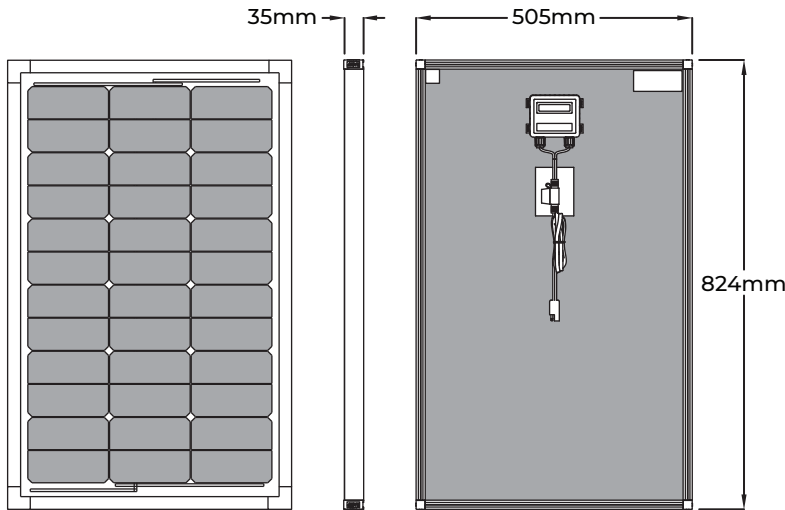
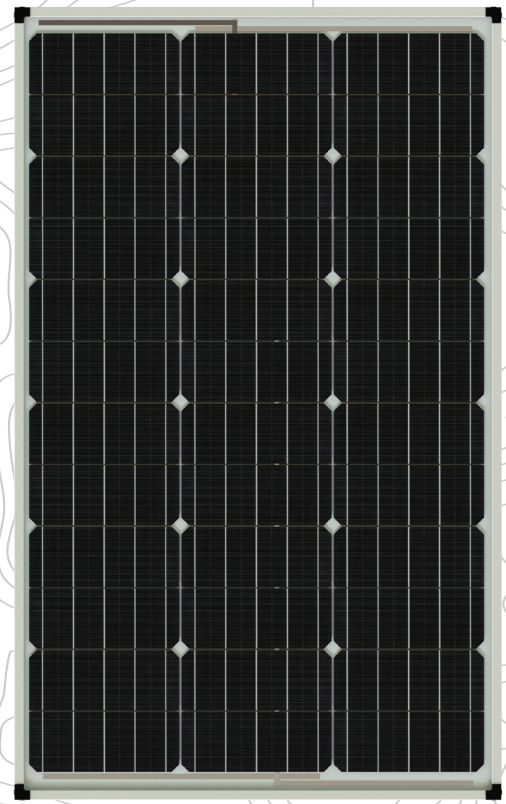
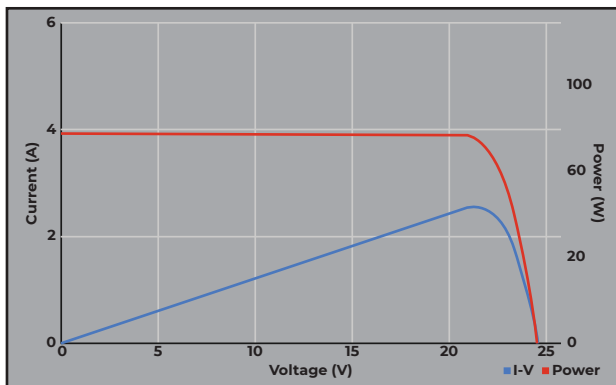


US MODULE, 70W, LEGACY SERIES SOLAR PANEL



| MODULE SPECIFICATIONS | |
|-------------------------------|-----------------------|
| CELL TYPE | MONOCRYSTALLINE |
| PEAK POWER (Pmax) | 75 WATTS |
| POWER TOLERANCE RANGE (%) | ± 5% |
| OPEN CIRCUIT VOLTAGE/Voc (V) | 24.38 |
| MAX. POWER VOLTAGE/Vmp (V) | 20.41 |
| SHORT CIRCUIT CURRENT/IsC (A) | 3.9 |
| MAX. POWER CURRENT/Imp (A) | 3.71 |
| MAX. SYSTEM VOLTAGE (V) | 300 VDC |
| DIMENSION (mm) | 824 X 505 X 35(± 3mm) |
| WEIGHT (KG) | 5.5 |
| FRAME COLOR | SILVER |



70-WATT LEGACY SOLAR PANEL

Our LEGACY SERIES 70-Watt Solar panel is perfect for all solar project applications. It is durable and can be mounted in any location with the Omni-Mount frame. The transparent POE (polyolefin elastomer) encapsulant provides superior moisture resistance in the most rapidly changing conditions. Legacy panels can charge any type of 12-volt battery bank, including lithium, and offer the easiest installation.

- ⚡ 1.5" (35mm) Omni-Mount frame for superior rigidity, strength and infinite mounting options
- ⚡ ATP Series™ IP67 Interconnect Plug (Mated Condition)
- ⚡ AR Coated Tempered Glass
- ⚡ Fuse-protected, all weather, plug-and-play wiring