

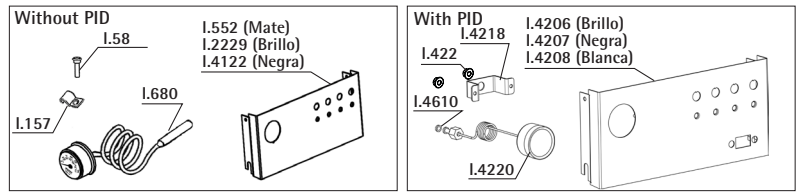


Steel

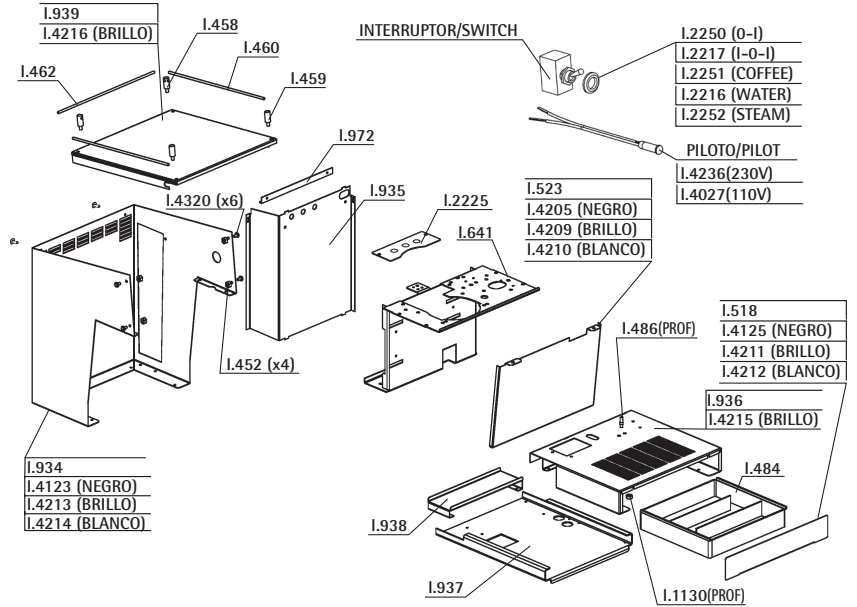
Steel PID

2019

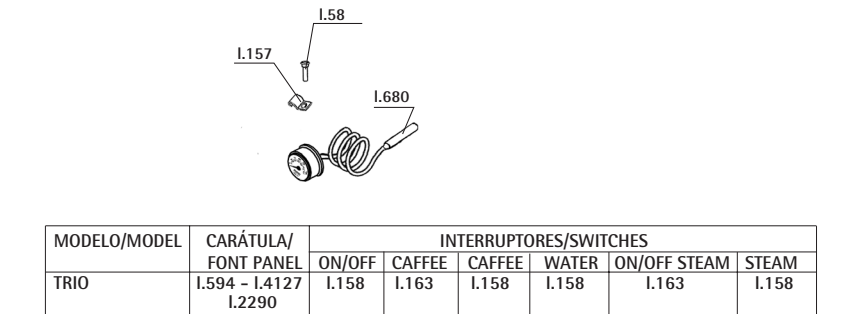
REF.	DESCRIPCIÓN	DESCRIPTION
I...58	TORNILLO BRIDA FUSIBLE	SCREW SPRING
I.157	MUELLE FIJACION FUSIBLE P.F	ON-OFF BIP. SWITCH
I.158	INTERRUPTOR DREAM BIPOLAR ON-OFF	DREAM ON-ON SWITCH
I.163	INTERRUPTOR DREAM ON-ON	NUT WITH WASHERE
I.452	TUERCA CON ARANDELA M4 INOX	FRONTAL NUT
I.452	TUERCA SUJECION CARATULA	CORNER SUPPORT
I.458	SOPORTE BARANDILLA ESQUINA	SUPPORT
I.459	SOPORTE BARANDILLA LINEA	LATERAL BAR (257mm)
I.460	VARILLA LATERAL 257mm	BACK ROD DUO
I.462	VARILLA FONDO DUO 250mm	WATER DRAWER
I.484	CAJON AGUA	PROF STEM
I.486	BOQUILLA DESCARGA UNO	FRONTAL
I.518	FRONTAL CAJON UNO-DUO	EMBELLISH DUO
I.523	FRONTAL INTER. UNO DUO	MASK UNO DUO PROF
I.552	CARATULA UNO DUO PROF	DUO PROF.MECHANISME BASE
I.641	BASE MECANISMOS UNO DUO	STEEL TERMOMETER
I.680	TERMOMETRO STEEL	UNO DUO DL ENVELOPING
I.934	CARROCERIA UNO DUO	PLATE TANK (RIGHT)
I.935	COMPARTIMENTO DEPOSITO DRCH	BASE UNO DUO DL
I.936	BASE UNO DUO	BOTTOM BASE DUO DL
I.937	BASE FONDO UNO DUO	TANK BASE DL
I.938	BASE DEPOSITO DL	UNO DUO UPPER LID
I.939	TAPA SUPERIOR UNO DUO	GUIDE
I.972	GUIA COMPARTIMENTO	NUT M5
I.1130	TUERCA CON ARANDELA M5	3 POSITION SWITCH - STEEL
I.2213	CONMUTADOR 3 POSICIONES STEEL	DREAM SWITCH NUT - WATER
I.2216	TUERCA INTERRUPTOR DREAM WATER	DREAM SWITCH NUT - ON/OFF/ON
I.2217	TUERCA INTERRUPTOR DREAM I-O-I	MASK UNO DUO PROF SHINE
I.2225	CIERRE BASE MECANISMOS STEEL P	SWITCH DREAM NUT ON/OFF
I.2250	TUERCA INTERRUPTOR DREAM ON/OF	SWITCH DREAM NUT COFFEE
I.2251	TUERCA INTERRUPTOR DREAM COFFE	SWITCH DREAM NUT STEAM
I.2252	TUERCA INTERRUPTOR DREAM STEAM	CARATULA UNO - DUO PM/PF/PROF BRILLO
I.2229	CARATULA UNO - DUO PM/PF/PROF BRILLO	INTERRUPTOR CAFE STEEL TRONIC 2016
I.3920	INTERRUPTOR CAFE STEEL TRONIC 2016	PILOTO BLANCO STEEL 125V UL
I.4027	PILOTO BLANCO STEEL 125V UL	MASK UNO DUO PROF BLACK
I.4122	CARATULA UNO-DUO PM/PF/PROF NEGRA	UNO DUO ENVELOPING BLACK
I.4123	ENVOLVENTE UNO DUO NEGRO	FRONAL UNO DUO PID 2017 SHINE
I.4125	FRONTAL CAJON UNO DUO NEGRO	FRONTAL UNO DUO PID 2017 BLACK
I.4205	FRONTAL INERT UNO DUO PM/PF NEGRO	FRONTAL UNO DUO PID 2017 WHITE
I.4206	CARATULA UNO DUO PID 2017 AISI304 BRILLO	FRONTAL INTERMEDIO UNO DUO SHINE
I.4207	CARATULA UNO DUO PID 2017 NEGRO	FRONTAL UNO DUO PID 2017 BLACK
I.4208	CARATULA UNO DUO PID 2017 BLANCA	FRONTAL UNO DUO PID 2017 WHITE
I.4209	FRONTAL INTERMEDIO UNO DUO AISI304 BRILLO	INTERMEDIATE STEEL UNO DUO SHINE
I.4210	FRONTAL INTERMEDIO UNO DUO BLANCO	INTERMEDIATE FRONT UNO DUO WHITE
I.4211	FRONTAL CAJON UNO DUO AISI 304 BRILLO	DRAWER FRONTAL UNO DUO SHINE
I.4212	FRONTAL CAJON UNO DUO BLANCO	DRAWER FRONTAL UNO DUO WHITE
I.4213	ENVOLVENTE UNO DUO AISI304 BRILLO	ENVELOPING UNO DUO SHINE
I.4214	ENVOLVENTE UNO DUO BLANCO	ENVELOPING UNO DUO WHITE
I.4215	BASE UNO DUO AISI304 BRILLO	BASE UNO DUO SHINE
I.4216	TAPA SUPERIOR UNO DUO AISI304 BRILLO	UPPER LID UNO DUOP SHINE
I.4218	SOPORTE MANOMETRO STEEL PID 2017	MANOMETER BRACKET STEEL PID 2017
I.4220	MANOMETRO DREAM/STEEL	MANOMETER DREAM/STEEL
I.4236	PILOTO BLANCO STEEL 230V	PILOT WHITE STEEL 220V
I.4320	TORNILLO SUJECION CARATULA	FRONTAL SCREW
I.4610	JUNTA 8,5x4,4x2 PTFE	GASKET 8,5x4,4x2 PTFE



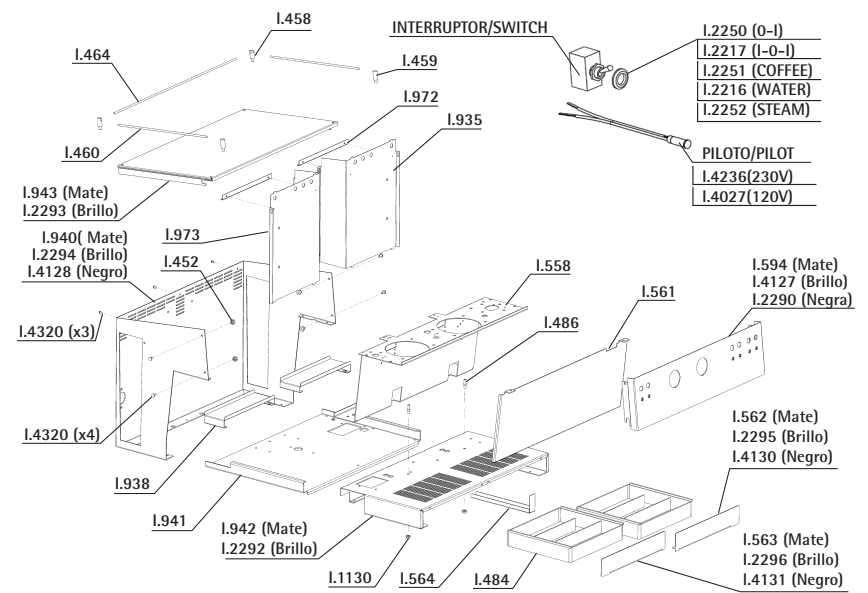
MODELO/MODEL	CARÁTULA/ FONT PANEL	INTERRUPTORES/SWITCHES			
		ON/OFF	COFFEE	WATER	STEAM
UNO VERSATIL	i.552	i.163	i.163	i.158	i.158
DUO VERSATIL	i.552	i.163	i.158	i.158	i.163
UNO PID	i.4206 / i.4207	i.163	i.3920	i.163	i.163
DUO PID	i.4208	i.163	i.3920	i.158	i.163



REF.	DESCRIPCIÓN	DESCRIPTION
I...58	TORNILLO BRIDA FUSIBLE	SCREW SPRING
I.157	MUELLE FIJACION FUSIBLE P.F	ON-OFF BIP. SWITCH
I.158	INTERRUPTOR DREAM BIPOLAR ON-OFF	DREAM ON-ON SWITCH
I.163	INTERRUPTOR DREAM ON-ON	FRONTAL NUT
I.452	TUERCA CARÁTULA	CORNER SUPPORT
I.458	SOPORTE BARANDA CORNER	SUPPORT
I.459	SOPORTE BARANDILLA LINEA	LATERAL BAR (257MM)
I.460	VARILLA LATERAL (257MM)	FRONTAL BAR TRIO
I.464	VARILLA FONDO TRIO	WATER DRAWER
I.484	CAJÓN AGUA	PROF STEM
I.486	BOQUILLA DESCARGA PROF/PM	BEAUTIFYING TRIO
I.558	BASE MECANISMOS TRIO	FRONTAL RIGHT DRAWER TRIO
I.561	FRONTAL INTERMEDIO TRIO	FRONTAL LEFT DRAWER TRIO
I.562	FRONTAL CAJÓN DRCH. TRIO	DRAWER GUIDE BASE TRIO
I.563	FRONTAL CAJÓN IZQ. TRIO	TRIO PROFESSIONAL FRONTAL
I.564	GUIA CAJÓN BASE TRIO	STEEL TERMOMETER
I.594	CARATULA TRIO PROF	PLATE TANK (RIGHT)
I.680	TERMOMETRO STEEL	TANK BASE DL
I.935	COMPARTIMENTO DEPOSITO DERECHO	TRIO DL ENVELOPING
I.938	BASE DEPOSITO	BOTTOM BASE TRIO DL
I.940	ENVOLVENTE TRIO DL	BASE TRIO DL
I.941	BASE FONDO TRIO DL	TRIO DL UPPER LID
I.942	BASE TRIO DL	GUIDE
I.943	TAPA SUPERIOR TRIO DL	COMPARTIMENT LEFT TANK
I.972	GUIA COMPARTIMIENTO	NUT M5
I.973	COMPARTIMENTO DEPOSITO IZQ.	DREAM SWITCH NUT - WATER
I.1130	TUERCA CON ARANDELA M5 INOX	DREAM SWITCH NUT - ON/OFF/ON
I.2216	TUERCA INTERRUPTOR DREAM WATER	SWITCH DREAM NUT ON/OFF
I.2217	TUERCA INTERRUPTOR DREAM I-O-I	SWITCH DREAM NUT COFFEE
I.2250	TUERCA INTERRUPTOR DREAM ON/OF	SWITCH DREAM NUT STEAM
I.2251	TUERCA INTERRUPTOR DREAM COFFE	MASK TRIO PROF SHINE
I.2252	TUERCA INTERRUPTOR DREAM STEAM	BASE TRIO DL SHINNING
I.2290	CARATULA TRIO PROF BRILLO	TRIO DL UPPER LID SHINE
I.2292	BASE TRIO DL BRILLO	ENVELOPING TRIO SHINE
I.2293	TAPA SUPERIOR TRIO DL BRILLO	FRONTAL RIGHT DRAWER TRIO SHINE
I.2294	ENVOLVENTE TRIO BRILLO	FRONTAL LEFT DRAWER TRIO SHINE
I.2295	FRONTAL CAJÓN DRCH. TRIO BRILLO	WHITE PILOT LIGHT STEEL 110V UL
I.2296	FRONTAL CAJÓN IZQ. TRIO BRILLO	MASK TRIO BLACK
I.4027	PILOTO BLANCO STEEL 125V UL	ENVELOPING TRIO BLACK
I.4127	CARATULA TRIO NEGRO	FRONTAL RIGHT DRAWER TRIO BLACK
I.4128	ENVOLVENTE TRIO NEGRO	FRONTAL LEFT DRAWER TRIO BLACK
I.4130	FRONTAL CAJÓN DRCH. TRIO NEGRO	PILOT WHITE STEEL 220V
I.4131	FRONTAL CAJÓN IZQ. TRIO NEGRO	FRONTAL SCREW
I.4236	PILOTO BLANCO PID 250V	GASKET 8,5x4,4x2 PTFE
I.4320	TORNILLO M4x8 DIN7380 INOX A2.	



MODELO/MODEL	CARÁTULA/ FONT PANEL	INTERRUPTORES/SWITCHES					
		ON/OFF	CAFFEE	CAFFEE	WATER	ON/OFF STEAM	STEAM
TRIO	I.594 - I.4127 I.2290	I.158	I.163	I.158	I.158	I.163	I.158





Steel System PF

5

Grupo café TRIO PF izquierda ■ TRIO PF left coffee group

ASCASO

REF.	DESCRIPCIÓN	DESCRIPTION
ESC.13	INFERIOR PORTA FIJO	FIXED FILTERHOLDER LOWER WHOLE
ESC348	GRUPO THERM. INOX IZQ. TRIO PF 230V	GROUP THERM. INOX LEFT TRIO PF 230V
ESC410	GRUPO THERM. INOX IZQ. TRIO PF 120V	GROUP THERM. INOX LEFT TRIO PF 120V
...1	BASE PORTA FIJO	FIXED FILTERHOLDER BASE
...4	SOPORTE MANGO	HANDLE SUPPORT
...7	CAMARA COMPRESION	COMPRESSION CHAMBER
...9	CUERPO VALVULA RETENCION	RETENTION VALVE BODY
...11	MEMBRANA SILICONA	SILICONE MEMBRANE
...13	VALVULA SILICONA INTERCAMBIADO	SILICONE VALVE
...14	CASQUILLO RODADURA	CAP
...15	MUELLE VALVULA RETENCION	SPRING
...18	TORNICA CIALDA	RING
...19	TORNILLO APRIETE SOPORTE MANGO	SCREW
...22	FILTRO CIALDA N°1	N°1 POD FILTER
...23	FILTRO CIALDA N°2	N°2 POD FILTER
...39	RODILLO LEVA	LEVER ROLLER
...44	RACOR CODO	ELBOW FITTING
...55	DUCHA	SHOWER
...69	FILTRO CIALDA N°0	N°0 FILTER
...90	RACOR CODO	ELBOW FITTING
...129	RETENEDOR CABLE	WIRING TERMINAL
...135	RACOR CODO	ELBOW FITTING
...138	TUERCA BICONO	BICONE NUT
...139	BICONO 6 mm	BICONE
...143	CABLE RED ISRAEL	ISRAEL WIRING
...147	CONDENSADOR	CONDENSER
...157	BRIDA FIJACION FUSIBLE/TERMOMETRO	FLANGE FIXING FUSE AND THERMOMETER
...185	PROTECTOR PORTA FIJO	FIXED HOLDER PROTECTOR
...230	EMBOLO CON DUCHA	PISTON WITH SHOWER
...259	ELECTROVALVULA 3 VIAS 220V	220V 3 WAYS SOLENOID
...287	MANGO PORTA CORTO	SMALL HANDLE
...354	REGLETA DE ENTRADA	TERMINAL STRIP
...356	TORNILLO ALLEN INOX	INOX SCREW
...358	TORNILLO PORTADUCHA INOX	INOX SCREW
...374	TERMOSTATO 100°	100° THERMOSTAT
...396	ARANDELA DENTADA M5	M5 WASHER
...627	FILTRO CIALDA N° 1A	N°1A FILTER
...628	CABLE RED STEEL 1.5 HOMOLOGADO	STEEL WIRING
...629	CABLE RED SUDAFRICA	SUDAFRICA WIRING
...706	ELECTROVALVULA 3 VIAS 110V	120V 3 WAYS SOLENOID
...710	TUERCA VALVULA RETENCION CAPS	NUT
...827	CABLE RED USA DUO (14AWG)	DUO (14AWG) USA WIRING
...867	EMBUDO PLASTICO PF	PLASTIC FUNNEL PF
...868	SALIDA 1 CAFE PLASTICO	PLASTIC 1 WAY OULET
...875	CABLE RED BRASIL INMETRO	BRASIL INMETRO WIRING
...895	TORNILLO FIJACION EMBUDO INOX	FUNNEL FIXED SCREW INOX
...952	TUBO TEFLON 2x4 (140mm)	TEFLON PIPE 2x4 (140mm)
...1065	FILTRO R101 MOKADOR	FILTER R101 MOKADOR
...1263	TUERCA BICONO 4	BICONE NUT 4
...1264	BICONO 4	BICONE 4
...1375	FILTRO CIALDA N° 0A	N°0A FILTER
...12237	INTERCAMBIADOR INOX 230V	230V INOX EXCHANGER WHOLE
...12238	INTERCAMBIADOR INOX 1000W 120V	120V 1000W INOX EXCHANGER WHOL
...12248	TAPETA NUEVO INTERCAMBIADOR	EXCHANGER NEW LID
...12249	TORNILLO ALLEN 5x50mm DIN912 INOX	INOX DIN912 M5x50 SCREW
...12280	JUNTA TORICA 68x2 SILICONA	O-RING 68x2 SILICONA
...12306	TERMOSTATO SEGURIDAD 190°C	SAFETY THERMAL SWITCH 190°C
...12720	VASTAGO ALUMINIO 2015	ALUMINIUM ROD 2015
...12721	PIVOTE LEVA INOX 2015	LEVER PIVOT INOX 2015
...12958	ARANDELA APOYO	WASHER
...13504	PLACA IMPULSOS INT. INOX. 120V/230V C/RETARDO	PULSE CIRCUIT THERM. INOX. 230V/120V W/DELAY
...13096	JUNTA INTERCAMBIADOR	HEAT EXCHANGER GASKET
...14547	LEVA PF COMPLETA 2018	LEVER FH COMPLETE 2018
...KIT235	KIT VASTAGO 2015	KIT SHAFT 2015

6

Grupo café UNO PID/DUO/DUO PID/TRIO PF derecha (+04/2017) ■ UNO/DUO/DUO PID/TRIO PF right coffee group (+04/2017)

ASCASO

REF.	DESCRIPCIÓN	DESCRIPTION
ESC.13	INFERIOR PORTA FIJO	FIXED FILTERHOLDER LOWER WHOLE
ESC408	GRUPO THERM. INOX DER. TRIO PF 230V	GROUP THERM. INOX RIGHT TRIO PF 230V
ESC409	GRUPO THERM. INOX DER. TRIO PF 120V	GROUP THERM. INOX RIGHT TRIO PF 120V
ESC443	GRUPO INTERCAMBIADOR INOX STEEL UNO PF 230V 2017	STEEL UNO PF THERMOBLOCK ASSY 230V 2017
ESC444	GRUPO INTERCAMBIADOR INOX STEEL UNO PF 110V 2017	STEEL UNO PF THERMOBLOCK ASSY 110V 2017
ESC453	GRUPO INTER INOX STEEL UNO PF PID 230V 2017	STEEL UNO FF PID THERMOBLOCK ASSY 230V 2017
ESC454	GRUPO INTER INOX STEEL UNO PF PID 110V 2017	STEEL UNO FF PID THERMOBLOCK ASSY 110V 2017
ESC455	GRUPO INTERCAMBIADOR INOX DUO PF PID 230V 2017	STEEL DUO PID THERMOBLOCK ASSY 230V 2017
ESC456	GRUPO INTERCAMBIADOR INOX DUO PF PID 110V 2017	STEEL DUO PID THERMOBLOCK ASSY 110V 2017
...1	BASE PORTA FIJO	FIXED FILTERHOLDER BASE
...4	SOPORTE MANGO	HANDLE SUPPORT
...7	CAMARA COMPRESION	COMPRESSION CHAMBER
...9	CUERPO VALVULA RETENCION	RETENTION VALVE BODY
...13	VALVULA SILICONA INTERCAMBIADO	SILICONE VALVE
...14	CASQUILLO RODADURA	CAP
...15	MUELLE VALVULA RETENCION	SPRING
...18	TORNICA CIALDA	RING
...19	TORNILLO APRIETE SOPORTE MANGO	SCREW
...22	FILTRO CIALDA N°1	N°1 POD FILTER
...23	FILTRO CIALDA N°2	N°2 POD FILTER
...30	TORNILLO FIJACION INTERCAMBIADOR INOX	INOX SCREW
...39	RODILLO LEVA	LEVER ROLLER
...44	RACOR CODO	ELBOW FITTING
...55	DUCHA	SHOWER
...69	FILTRO CIALDA N°0	N°0 FILTER
...92	RACOR 1"	FITTING MALE
...129	RETENEDOR CABLE	WIRING TERMINAL
...135	RACOR CODO	ELBOW FITTING
...143	CABLE RED ISRAEL	ISRAEL WIRING
...147	CONDENSADOR	CONDENSER
...157	BRIDA FIJACION FUSIBLE/TERMOMETRO	FLANGE FIXING FUSE AND THERMOMETER
...185	PROTECTOR PORTA FIJO	FIXED HOLDER PROTECTOR
...230	EMBOLO CON DUCHA	PISTON WITH SHOWER
...259	ELECTROVALVULA 3 VIAS 220V	220V 3 WAYS SOLENOID
...287	MANGO PORTA CORTO	HANDLE WHOLE
...354	REGLETA DE ENTRADA	TERMINAL STRIP
...356	TORNILLO ALLEN INOX	INOX SCREW
...358	TORNILLO PORTADUCHA INOX	INOX SCREW
...396	ARANDELA DENTADA M5	M5 WASHER
...339	TERMOSTATO 165°	165° THERMOSTAT
...627	FILTRO CIALDA N° 1A	N°1A FILTER
...628	CABLE RED STEEL 1.5 HOMOLOGADO	STEEL WIRING
...629	CABLE RED SUDAFRICA	SUDAFRICA WIRING
...706	ELECTROVALVULA 3 VIAS 110V	120V 3 WAYS SOLENOID
...710	TUERCA VALVULA RETENCION CAPS	NUT
...827	CABLE RED USA DUO (14AWG)	DUO (14AWG) USA WIRING
...867	EMBUDO PLASTICO PF	PLASTIC FUNNEL PF
...868	SALIDA 1 CAFE PLASTICO	PLASTIC 1 WAY OULET
...875	CABLE RED BRASIL INMETRO	BRASIL INMETRO WIRING
...895	TORNILLO FIJACION EMBUDO INOX	FUNNEL FIXED SCREW INOX
...952	TUBO TEFLON 2x4 (140mm)	TEFLON PIPE 2x4 (140mm)
...1065	FILTRO R101 MOKADOR	FILTER R101 MOKADOR
...1130	TUERCA CON ARANDELA M5 INOX	M5 NUT
...1132	SONDA TEMPERATURA NTC MF58	NTC TEMPERATURE PROBE MF58
...1263	TUERCA BICONO 4	BICONE NUT 4
...1264	BICONO 4	BICONE 4
...1375	FILTRO CIALDA N° 0A	N°0A FILTER
...12237	INTERCAMBIADOR INOX 230V	230V INOX EXCHANGER WHOLE
...12238	INTERCAMBIADOR INOX 1000W 120V	120V 1000W INOX EXCHANGER WHOL
...12248	TAPETA NUEVO INTERCAMBIADOR	EXCHANGER NEW LID
...12249	TORNILLO ALLEN 5x50mm DIN912 INOX	INOX DIN912 M5x50 SCREW
...12280	JUNTA TORICA 68x2 SILICONA	O-RING 68x2 SILICONA
...12285	RACOR CONEXION GRIFO	FITTING
...12307	PROLONGACION GRUPO BASICO	BASIC COFFEE GROUP EXTENSION
...12306	TERMOSTATO SEGURIDAD 190°C	SAFETY THERMAL SWITCH 190°C
...12499	MEMBRANA KAP	SILICONE WASHER KAP
...12720	VASTAGO ALUMINIO 2015	ALUMINIUM ROD 2015
...12721	PIVOTE LEVA INOX 2015	LEVER PIVOT INOX 2015
...12958	ARANDELA APOYO	WASHER
...13096	JUNTA INTERCAMBIADOR	HEAT EXCHANGER GASKET
...13514	RACOR CONEXION SOLO CAFE	FITTING
...13826	TERMOSTATO SEGURIDAD 215°	SAFETY THERMOSTAT 215°
...13934	RACOR T 1/8 H-H-M	FITTING T 1/8 H-H-M
...14299	SONDA TEMPERATURA INOX PID (M4) 2017	INOX PID TEMPERATURE PROBE (M4) 2017
...14234	RACOR CONEXION INTERCAMBIADOR-MANOMETRO M6-1/8	RACOR CONNECTION THERMOBLOCK/MANOMETRM6-1/8
...14547	LEVA PF COMPLETA 2018	LEVER FH COMPLETE 2018
...14610	JUNTA 8,5x4,4x2 PTFE	GASKET 8,5x4,4x2 PTFE
...KIT235	KIT VASTAGO 2015	KIT SHAFT 2015

ASCASO



Steel Versatile
Ø 60mm

9

Grupo Café UNO Versatil / PID ■ UNO Versatile / PID Coffee Group

ASCASO

REF.	DESCRIPCIÓN	DESCRIPTION
ESC433	GRUPO INTERC. INOX UNO PROF 2016 (230V)	GROUP INOX PROF UNO 2016 (230V)
ESC434	GRUPO INTERC. INOX UNO PROF 2016 (110V)	GROUP INOX PROF UNO 2016 (110V)
ESC445	GRUPO INTERC. INOX STEEL UNO PID 230V 2017	GROUP INOX PROF UNO PID 2017 (230V)
ESC449	GRUPO INTERC. INOX STEEL UNO PID 110V 2017	GROUP INOX PROF UNO PID 2017 (110V)
I...44	RACORD CODO	RL BOIX FITTING
I...92	RACOR 1/8"	FITTING MALE
I.135	RACOR CODO 13280 4 1/8	FITTING SPRING
I.157	BRIDA FIJACION FUSIBLE/TERMOMETRO	3 WAY SOLENOID 230V
I.259	ELECTROV. 3 VIAS 230V	3 WAY SOLENOID 110V
I.706	ELECTROV. 3 VIAS 120V	TEFLON PIPE 2X4 (140mm)
I.952	TUBO TEFLON 2X4 (140mm)	TUERCA CON ARANDELA M5 INOX
I.1130	TUERCA CON ARANDELA M5 INOX	NUT M5
I.1167	ARO RETENCION FILTRO PROF.	PROF. SPRING FILTER
I.1263	TUERCA BICONO 4	BICONE NUT 4
I.1264	BICONO 4mm	BICONE 4
I.2237	CJTO INTERCAMBIADOR INOX. 230V	THERMOBLOCK INOX. 230V
I.2238	CJTO INTERCAMBIADOR INOX. 110V	THERMOBLOCK INOX. 110V
I.2279	TORNILLO M5X50 DIN7991 A-4 80 INOX	SCREW M5X50 DIN7991 A-2 SS
I.2285	RACOR CONEXION GRIFO	FITTING
I.2307	PROLONGACION GRUPO BASIC	BASIC COFFEE GROUP EXTENSION
I.2364	RACOR CONTADOR VOLUMETRICO 1/8"-1/8" INOX	FITTING VOLUMETRIC CONTROL 1/8"-1/8"
I.3096	JUNTA INTERCAMBIADOR	HEAT EXCHANGER GASKET
I.3510	CAMPANA PROF. 2016	BELL PROF. 2016
I.3511	ROCIADOR GRUPO PROF. 2016	SPRAY GROUP PROF. 2016
I.3512	POSTIZO CAMPANA PROF. 2016	BELL PROF. 2016 SUPPLEMENT
I.3514	RACORD CONEXION SOLO CAFE	FITTING
I.3879	JUNTA PLANA PORTA CAPSULAS 36.5x50x2	SILICONE WASHER
I.3811	CHAPA SOPORTE GRUPO PROF 2016	GROUP PROF 2016 SUPPORT SHEET
I.3934	RACOR T 1/8 H-H-M	FITTING T 1/8 H-H-M
I.4173	FUNDA TERMICA INTECAMBIADOR INOX.	THERMAL COVER
I.4234	RACOR CONEXION INTERC-MANOMETRO M6-1/8	FITTING CONNECT TBLOCK-MANOMETER
I.4567	DUCHA SIMPLE 60MM	EASY SHOWER 60MM
I.4610	JUNTA 8,5x4,4x2 PTFE	GASKET 8,5x4,4x2 PTFE
I.4731	JUNTA PORTAFILTROS 7.8 mm	FILTERHOLDER GASKET 7.8MM

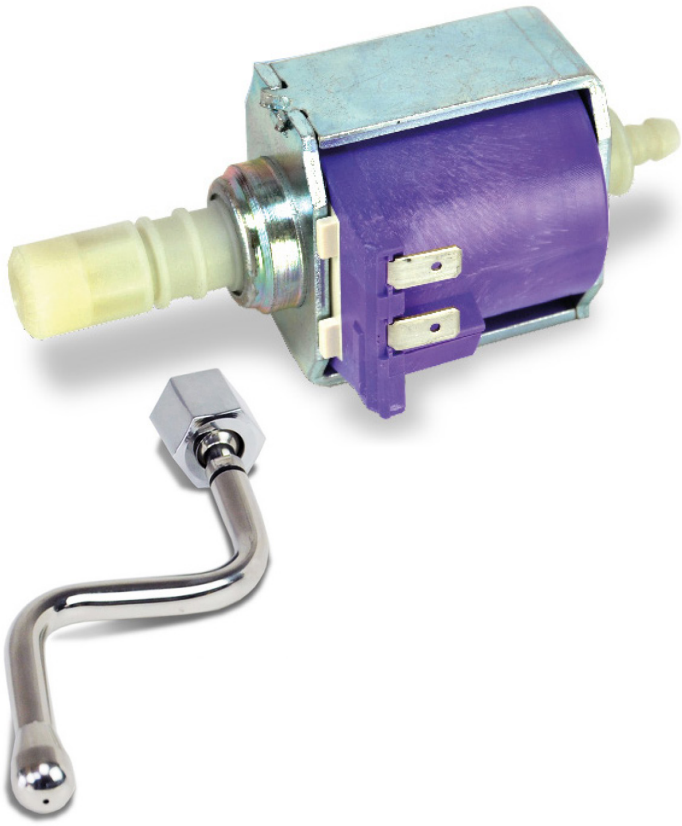
10

Grupo Café DUO versátil / TRIO versátil derecho (+04/2017) ■ DUO versatile / TRIO versatile right Coffee Group (+04/2017)

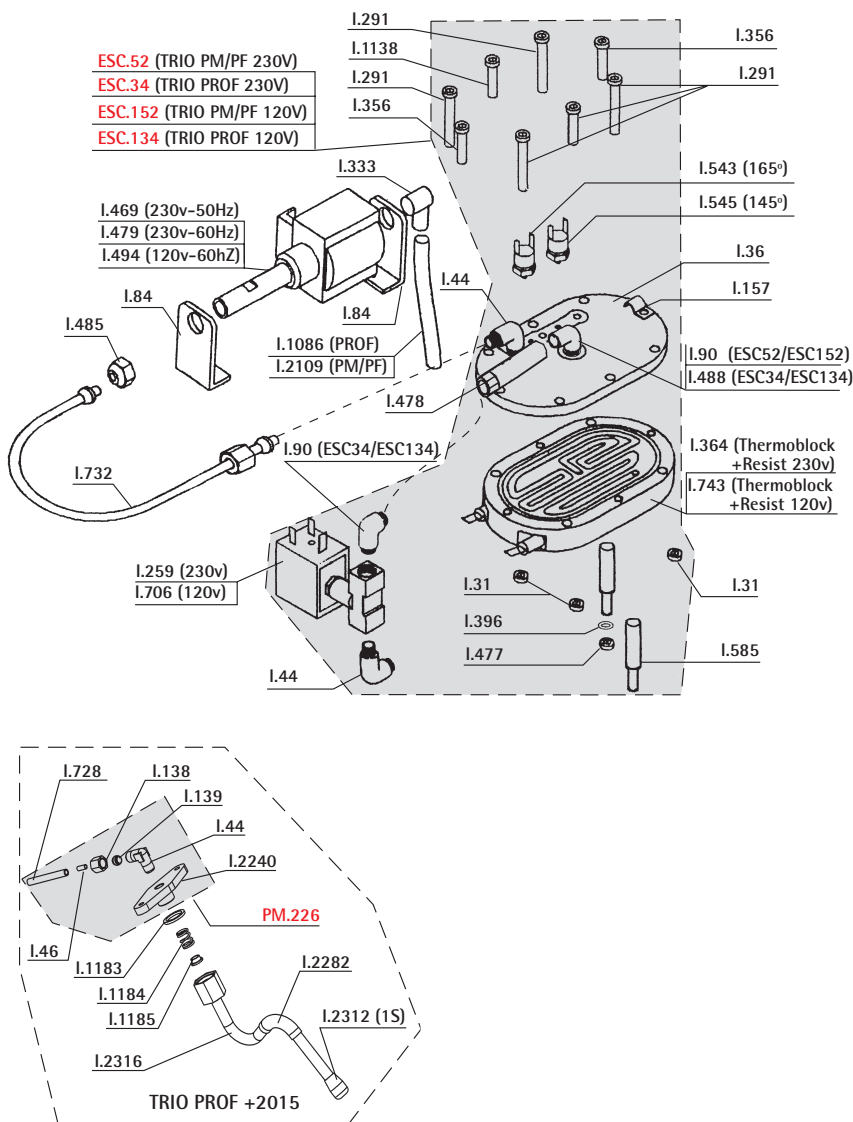
ASCASO

REF.	DESCRIPCIÓN	DESCRIPTION
ESC435	GRUPO INTERC. INOX DUO PROF 2016 (230V)	GROUP INOX PROF DUO 2016 (230V)
ESC436	GRUPO INTERC. INOX DUO PROF 2016 (110V)	GROUP INOX PROF DUO 2016 (110V)
ESC446	GRUPO INTERC. INOX STEEL DUO PID 230V 2017	GROUP INOX PROF DUO PID 2017 (230V)
ESC450	GRUPO INTERC. INOX STEEL DUO PID 110V 2017	GROUP INOX PROF DUO PID 2017 (110V)
I...44	RACORD CODO	RL BOIX FITTING
I...92	RACOR 1/8"	FITTING MALE
I.135	RACOR CODO 13280 4 1/8	FITTING SPRING
I.157	BRIDA FIJACION FUSIBLE/TERMOMETRO	3 WAY SOLENOID 230V
I.259	ELECTROV. 3 VIAS 230V	3 WAY SOLENOID 110V
I.706	ELECTROV. 3 VIAS 120V	TEFLON PIPE 2X4 (140mm)
I.952	TUBO TEFLON 2X4 (140mm)	TUERCA CON ARANDELA M5 INOX
I.1130	TUERCA CON ARANDELA M5 INOX	NUT M5
I.1263	TUERCA BICONO 4	BICONE NUT 4
I.1264	BICONO 4mm	BICONE 4
I.2237	CJTO INTERCAMBIADOR INOX. 230V	THERMOBLOCK INOX. 230V
I.2238	CJTO INTERCAMBIADOR INOX. 110V	THERMOBLOCK INOX. 110V
I.2279	TORNILLO M5X50 DIN7991 A-4 80 INOX	SCREW M5X50 DIN7991 A-2 SS
I.2285	RACOR CONEXION GRIFO	FITTING
I.2307	PROLONGACION GRUPO BASIC	BASIC COFFEE GROUP EXTENSION
I.3203	MANGO PORTA MADERA BARISTA	HANDLE WOOD BARISTA
I.3096	JUNTA INTERCAMBIADOR	HEAT EXCHANGER GASKET
I.3510	CAMPANA PROF. 2016	BELL PROF. 2016
I.3511	ROCIADOR GRUPO PROF. 2016	SPRAY GROUP PROF. 2016
I.3512	POSTIZO CAMPANA PROF. 2016	BELL PROF. 2016 SUPPLEMENT
I.3514	RACORD CONEXION SOLO CAFE	FITTING
I.3811	CHAPA SOPORTE GRUPO PROF 2016	GROUP PROF 2016 SUPPORT SHEET
I.3934	RACOR T 1/8 H-H-M	FITTING T 1/8 H-H-M
I.4173	FUNDA TERMICA INTECAMBIADOR INOX.	THERMAL COVER
I.4234	RACOR CONEXION INTERC-MANOMETRO M6-1/8	FITTING CONNECT TBLOCK-MANOMETER
I.4567	DUCHA SIMPLE 60MM	EASY SHOWER 60MM
I.4610	JUNTA 8,5x4,4x2 PTFE	GASKET 8,5x4,4x2 PTFE
I.4731	JUNTA PORTAFILTROS 7.8 mm	FILTERHOLDER GASKET 7.8MM

ASCASO

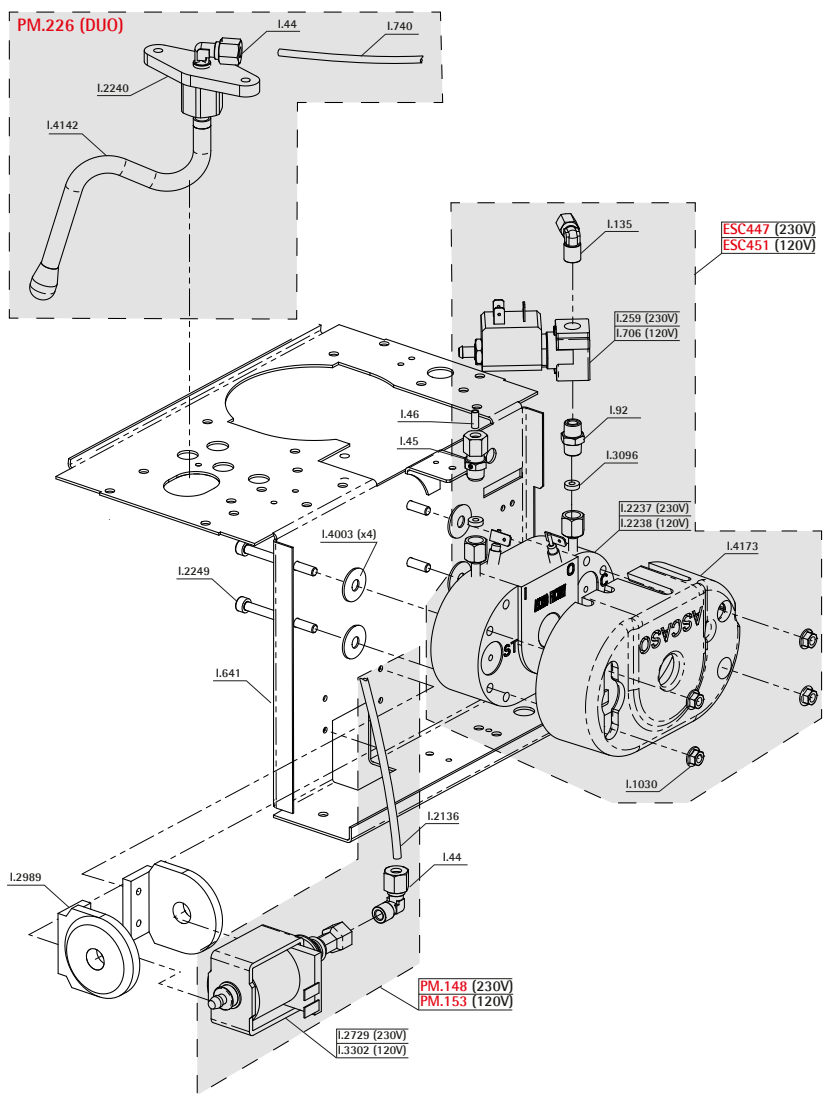


Steel
Common elements



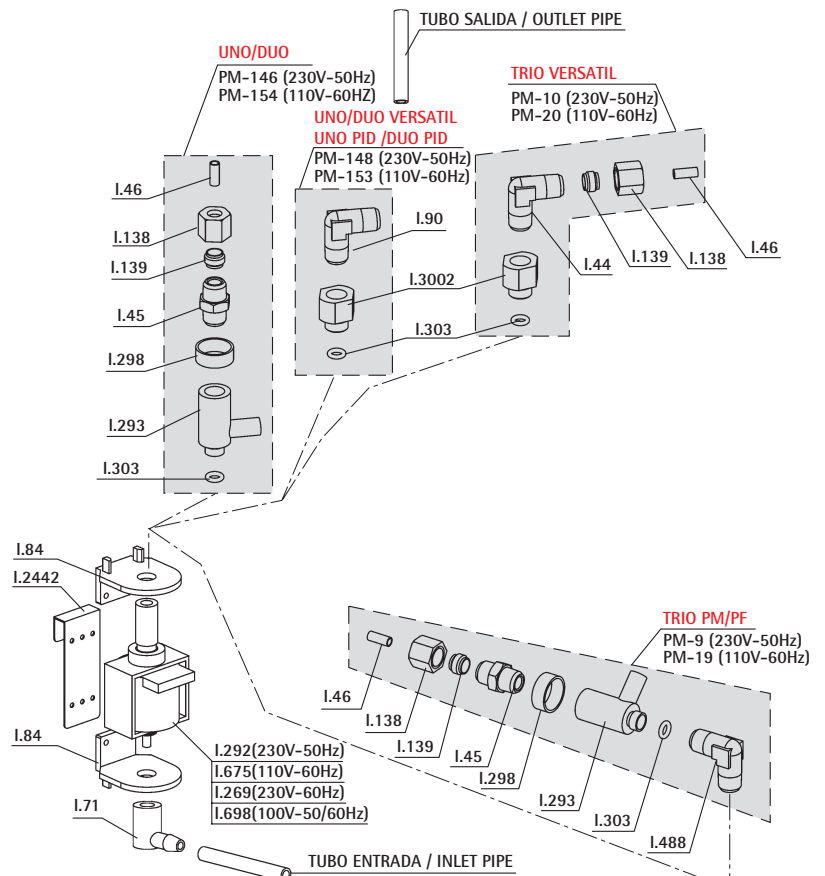
REF.	DESCRIPCIÓN	DESCRIPTION
ESC.34	GRUPO THERM. VAPOR TRIO PROF. 230V	GROUP 230V THERM. STEAM TRIO PROF
ESC.52	GRUPO THERM. VAPOR 230V	GROUP 230V THERM. STEAM
ESC134	GRUPO THERM. VAPOR TRIO PROF. 120V	GROUP 120V THERM. STEAM TRIO PROF
ESC152	GRUPO THERM. VAPOR 120V	GROUP 120V THERM. STEAM
I...31	TUERCA M5	NUT
I...36	TAPA INTERCAMBIADOR ALUMINIO	ALUMINIUM EXCHANGER LID
I...44	RACORD CODO	RL BOIX FITTING
I...46	REFUERZO TUBO	PIPE REINFORCEMET
I...84	SOPORTE BOMBA 90°	PUMP SUPPORT
I...90	RACOR CODO MACHO 1/8 LATON	FITTING
I..138	TUERCA BICONO	NUT
I..139	BICONO DE 6	BICONE
I..157	BRIDA FIJACION FUSIBLE/TERMOMETRO	SPRING
I..259	ELECTROV. 3 VIAS PASO 1.2 230V 1/8-1/8 0-15BAR	3 WAY SOLENOID
I..291	TORNILLO FIJACION INTERC.VAPOR	SCREW ALLEN M5x30
I..333	PIPETA 90°	RUBBER FITTING
I..356	TORNILLO ALLEN M5x15 INOX	ALLEN SCREW
I..364	C.INTER.LATON+RESIST.220V	220V RES+BRASS THERM BODY
I..396	ARANDELA DENTADA M5	WASHER
I..469	BOMBA NME4RF 230V/50Hz	STEAM PUMP NME4RF
I..477	TUERCA CIEGA M5 INOX	M5 INOX BLIND NUT
I..478	PROLONGACION INTERCAM.VAPOR	PROLONGATION
I..479	BOMBA NME 230/240 V-60Hz	230/240 V-60Hz USA NME PUMP
I..485	TUERCA FIJACION NIQUEL QUIMICO	NUT
I..488	RACOR CODO 1/8 M-H	1/8 M-H ELBOW FITTING
I..494	BOMBA NME4RF 120V	120V NME4RF PUMP
I..543	TERMOSTATO 165° CERAMICO	165° CERAMIC THERMOSTAT
I..545	TERMOSTATO 145° CERAMICO	145° CERAMIC THERMOSTAT
I..585	SOPORTE GRUPO VAPOR	STEAM GROUP SUPPORT
I..706	ELECTROV. 3 VIAS PASO 1.5 120V 1/8-1/8 0-15BAR	120V 3 WAYS SOLENOID
I..728	TUBO TEFLON 4x6 (90 mm)	4x6 (90 mm) TEFLON PIPE
I..732	TUBO TEFLON 4x6 (130mm)	4x6 (130mm) TEFLON PIPE
I..743	C.INT.LATON+RESIST. 700W/120V	700W/120V BRASS THERMOBLOCK
I.1086	TUBO SILICONA 5X8 (150mm)	SILICONE PIPE 5X8 (150mm)
I.1138	TORNILLO DIN 7985 M5x15 INOX	SCREW DIN 7985 M5x15 INOX
I.1183	ARANDELA GRIFO AGUA	WATER TAP WASHER
I.1184	MUELLE GRIFO SALIDA VAPOR-AGUA	STEAM - WATER OUTLET TAP SPRING
I.1185	GUIA MUELLE GRIFO AGUA	SPRING GUIDE WATER TAP
I.2109	TUBO SILICONA 5X8 (120mm)	SILICONE PIPE 5X8 (120mm)
I.2240	SOPORTE TUBO VAPOR MD STEEL	STEEL MD STEAM PIPE SUPPORT
I.2282	PROTECTOR TUBO VAPOR BARISTA	STEAM PIPE PROTECTOR BARISTA
I.2312	SALIDA TUBO VAPOR 1 AGUJERO STEEL PROF	STEAM PIPE OUTLET
I.2316	TUBO VAPOR MD STEEL UNO/DUO PROF	PIPE
PM226	CJTO LANZA VAPOR TRIO/DUO PROF 2015	ASSY. HEAT PIPE TRIO/DUO PROF 2015

Grupo vapor DUO / DUO PID ■ DUO / DUO PID Steam Group



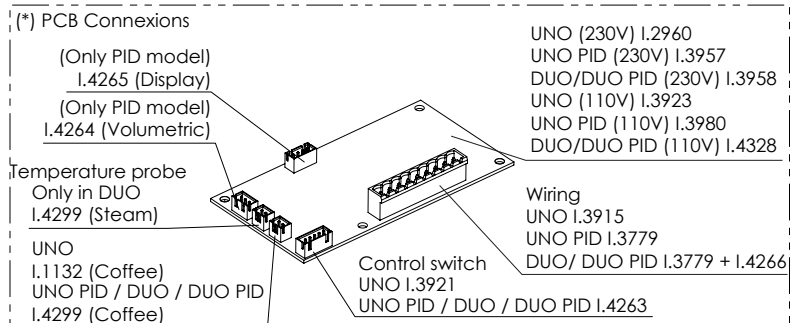
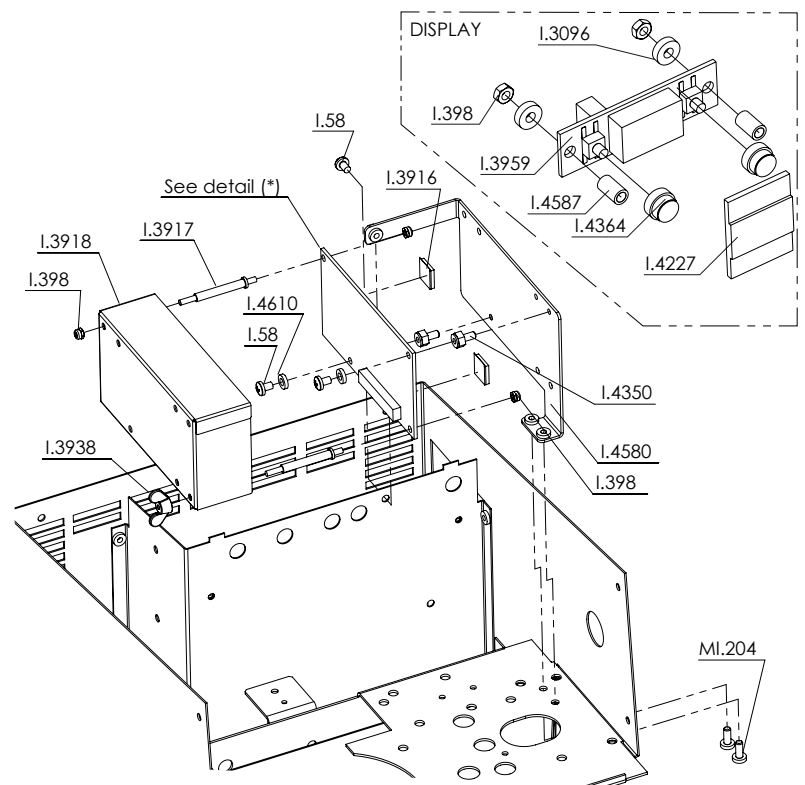
REF.	DESCRIPCIÓN	DESCRIPTION
ESC447	GRUPO INTER. INOX VAPOR DUO PID 230V	GROUP INTER. INOX STEAM DUO PID 230V
ESC451	GRUPO INTER. INOX VAPOR DUO PID 110V	GROUP INTER. INOX STEAM DUO PID 110V
I...44	RACORD CODO	RL BOIX FITTING
I...45	RACOR RECTO	STRAIGHT FITTING
I...46	REFUERZO TUBO	PIPE REINFORCEMET
I...92	RACOR 1/8"	FITTING MALE
I..135	RACOR CODO 13280 4 1/8	FITTING
I..259	ELECTROV. 3 VIAS PASO 1.2 230V 1/8-1/8	230V 3 WAY SOLENOID
I..641	BASE MECANISMOS UNO DUO	DUO PROF.MECHANISME BASE
I..706	ELECTROV. 3 VIAS PASO 1.5 120V 1/8-1/8	120V 3 WAYS SOLENOID
I...740	TUBO TEFLON 4X6 (80MM)	TEFLON PIPE 4X6 (80MM)
I.1030	ELECTROV. GRUPO PROF. C 230V NSF	GROUP PROF. SOLENOID 230V
I.2136	TUBO TEFLON 4x6 (220mm)	TEFLON PIPE 4X6 (220MM)
I.2237	CJTO INTERCAMBIADOR INOX. 230V	THERMOBLOCK INOX. 230V
I.2238	CJTO. INTERCAMBIADOR INOX. 1000W 120V	WHOLE THERMOBLOCK INOX 1000W 120V
I.2240	SOPORTE TUBO VAPOR MD STEEL	STEEL MD STEAM PIPE SUPPORT
I.2249	TORNILLO ALLEN 5x50mm DIN912 INOX	INOX DIN912 M5x50 SCREW
I.2729	BOMBA CP SMART 20bar 230-240V 50W	PUMP CP SMART 20bar 230-240V 50W
I.2989	SILENT BLOCK BOMBA	PUMP SILENT BLOCK
I.3096	JUNTA INTERCAMBIADOR	HEAT EXCHANGER GASKET
I.3302	BOMBA CP SMART 20bar 120V	PUMP CP SMART 20bar 120V
I.4003	JUNTA CIERRE TUBO E/R G. BARISTA PRO	CLOSED GASKET PIPE E/R G.BARISTA PRO
I.4142	TUBO VAPOR MD STEEL UNO/DUO PROF PTFE	UNO/DUO PROF PIPE PTFE
I.4173	FUNDA TERMICA INTECAMBIADOR INOX.	THERMAL COVER
PM.148	CJTO BOMBA UNO/DUO PROF/TRONIC 230V	W.PUMP UNO/DUO PROF/TRONIC 230V
PM.153	CJTO BOMBA UNO/DUO PROF/TRONIC 110V	W.PUMP UNO/DUO PROF/TRONIC 110V
PM.226	CJTO LANZA VAPOR TRIO/DUO PROF 2015	ASSY. HEAT PIPE TRIO/DUO PROF 2015

REF.	DESCRIPCIÓN	DESCRIPTION
I...44	RACORD CODO	RL BOIX FITTING
I...45	RACOR RECTO	STRAIGHT FITTING
I...46	REFUERZO TUBO	PIPE REINFORCEMET
I...71	PIPETA ASPIRACION	90° FITTING
I...84	SOPORTE BOMBA 90°	PUMP SUPPORT
I...90	RACOR CODO MACHO 1/8 LATON	FITTING
I.138	TUERCA BICONO	NUT
I.139	BICONO DE 6	BICONE
I.269	BOMBA 230/240V 60Hz	230V 60Hz PUMP
I.292	BOMBA 230/240V 50Hz	230V 50Hz PUMP
I.293	VALVULA S2	S2 VALVE
I.298	CASQUILLO REFUERZO S-2	S-2 RING REFORCEMET
I.303	TORICA S-2	S-2 RING
I.488	RACOR CODO 1/8 M-H	1/8 M-H ELBOW FITTING
I.675	BOMBA 110/120V 60 Hz	110V/120 60Hz PUMP
I.698	BOMBA JAPON 100V 50/60 Hz	100V 50/60HzPUMP
I.732	TUBO TEFLON 4x6 (130mm)	4x6 (130mm) TEFLON PIPE
I.734	TUBO TEFLON 4x6 (145mm)	4x6 (145mm) TEFLON PIPE
I.739	TUBO SILICONA 5X8 (600mm)	SILICONE PIPE 5X8 (600mm)
I.1086	TUBO SILICONA 5X8 (150mm)	SILICONE PIPE 5X8 (150mm)
I.1080	TUBO SILICONA 5X8 (500mm)	SILICONE PIPE 5X8 (500mm)
I.2107	TUBO SILICONA 5X8 (400mm)	SILICONE PIPE 5X8 (400mm)
I.2109	TUBO SILICONA 5X8 (120mm)	SILICONE PIPE 5X8 (120mm)
I.2442	SOPORTE ANTIVIBRACION BOMBA	PUMP SUPPORT
I.2826	TUBO FLEXIBLE 250mm 1/8"Hx1/8"H	FLEXIBLE 250mm
I.3002	RACOR BOMBA	PUMP FITTING
PM...9	CJTO BOMBA TRIO PM/PF/CAPSULA 230V	220V TRIO PM/PF/CAPSULE PUMP WHOLE
PM...10	CJTO BOMBA TRIO PROF/TRONIC 220V	220V TRIO PROF/TRONIC PUMP WHOLE
PM...19	CJTO BOMBA TRIO PM/PF/CAPSULA 110V	110V TRIO PM/PF/CAPSULE PUMP WHOLE
PM...20	CJTO BOMBA TRIO PROF/TRONIC 110V	110V TRIO PROF/TRONIC PUMP WHOLE
PM.146	CJTO BOMBA UNO/DUO PM/PF/CAPSULA 230V	W.PUMP UNO/DUO PM/PF/CAPSULE 230V
PM.148	CJTO BOMBA UNO/DUO PROF/TRONIC 230V	W.PUMP UNO/DUO PROF/TRONIC 230V
PM.153	CJTO BOMBA UNO/DUO PROF/TRONIC 110V	W.PUMP UNO/DUO PROF/TRONIC 110V
PM.154	CJTO BOMBA UNO/DUO PM/PF/CAPSULA 110V	W.PUMP UNO/DUO PM/PF/CAPSULE 110V
PM.156	CJTO BOMBA UNO/DUO PF TRONIC 110V	WHOLE PUMP UNO/DUO PF TRONIC 110V
PM.157	CJTO BOMBA DUO PROF TRONIC 110V	WHOLE PUMP DUO PROF TRONIC 110V

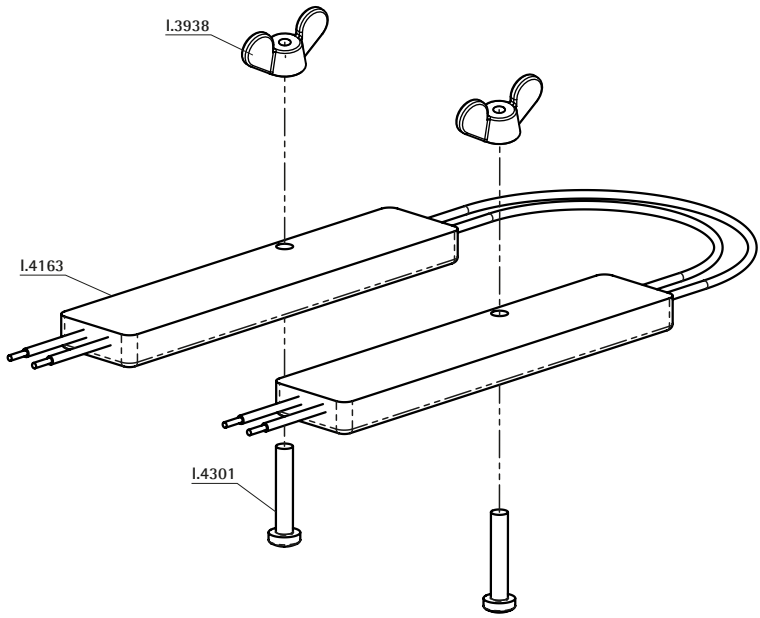


MODEL	230V-50Hz	110V-60Hz	TUBO ENTRADA / INLET PIPE	TUBO SALIDA / OUTLET PIPE
UNO PF	PM.146	PM.154	I.739	I.734
UNO VERSATIL	PM.148	PM.153	I.739	I.2826
DUO	PM.146	PM.154	I.1086	I.734
DUO VERSATIL	PM.148	PM.153	I.2109	I.2826
TRIO PF	PM.9	PM.19	I.1086 RIGHT/I.1080 LEFT	I.734 RIGHT/I.734 LEFT
TRIO VERSATIL	PM.10	PM.20	I.2109 RIGHT/I.1080 LEFT	I.734 RIGHT/I.732 LEFT
UNO PID / DUO PID	PM.148	PM.153	I.2107	I.2826

REF.	DESCRIPCIÓN	DESCRIPTION
I...58	TORNILLO BRIDA FUSIBLE INOX	SCREW
I.398	TORNILLO INOX APRIETE PF	TUERCA AUTOBLOCANTE M3 INOX
I.1132	SONDA TEMPERATURA NTC MF58	NTC TEMPERATURE PROBE MF58
I.2960	CIRCUITO MULTIFUNCION	MULTIFUNCTION CIRCUIT
I.3030	FJACION CIRCUITO TERMOSTATO ELECTR. BARKAP	ELECT. THERM. CIRCUIT FIXATION BAR KAP.
I.3096	JUNTA INTERCAMBIADOR	HEAT EXCHANGER GASKET
I.3779	CABLEADO GRUPO UNO PROF PID 2017	WIRING GROUP UNO PROF PID 2017
I.3915	CABLEADO GRUPO UNO PROF 2016 C.ELECT.	GROUP WIRING UNO PROF 2016 ELECT. C.
I.3916	APOYO CIRCUITO ELECTRICO STEEL	ELECTRONIC CIRCUIT SUPPORT STEEL
I.3917	SEPARADOR TAPA CIRCUITO ELECTR. STEEL	ELECTRONIC CIRCUIT SUPPORT STEEL
I.3918	TAPA CIRCUITO TERMOSTATO ELECT. STEEL	ELECT. THERM. CIRCUIT COVER STEEL
I.3921	CABLEADO BOTONERA UNO PROF 2016 CNTRL.ELECT.	BUTTON PANEL WIRING UNO PROF/ELEC. CNTRL.
I.3923	CIRCUITO MULTIFUNCION 110V	MULTIFUNCTION CIRCUIT 110V
I.3938	TUERCA CON ALAS M3	WING NUT M3
I.3957	CIRCUITO MULTIFUNCION+DISPLAY 230V	MULTIFUNCTION+DISPLAY PCB 230V
I.3958	CIRCUITO MULTIFUNCION DUO+DISPLAY	STEEL DUO MULTIFUNCTION+DISPLAY PCB
I.3959	DISPLAY DREAM/STEEL PID	DREAM DISPLAY MULTIFUN. CIRCUIT
I.3980	CIRCUITO MULTIFUNCION+DISPLAY 110V	MULTIFUNCTION+DISPLAY PCB 110V
I.4227	MIRILLA PANTALLA STEEL PID	SCREEN STEEL PID
I.4263	CABLE BOTONERA DREAM / STEEL PID	BUTTON PANEL WIRE DREAM / STEEL PID
I.4264	CABLE VOLUMETRICO DREAM / STEEL PID	FLOWMETER WIRE DREAM / STEEL PID
I.4265	CABLE DISPLAY DREAM / STEEL PID	WIRING DISPLAY DREAM / STEEL PID
I.4266	CABLEADO DUO PID	WIRING DUO PID
I.4299	SONDA TEMPERATURA INOX PID (M4) 2017	TEMPERATURE PROBE. INOX PID (M4) 2017
I.4328	CIRCUITO MULTIFUNCION DUO+DISPLAY 110V	DUO MULTIFUNCTION + DISPLAY PCB 110V
I.4350	SEPARADOR NYLON M4xM4 ALTURA 5MM	SPACER NYLON M4xM4 HEIGHT 5MM
I.4580	SOPORTE CIRCUITO STEEL 2019	CIRCUIT SUPPORT STEEL 2019
I.4587	CASQUILLO MONTAJE DISPLAY STEEL PID	DISPLAY MOUNTING BRACKET STEEL PID
I.4364	TECLA DISPLAY STEEL PID	DISPLAY KEY STEEL PID
I.4610	JUNTA 8,5x4,4x2 PTFE	GASKET 8,5x4,4x2 PTFE
MI.204	TORNILLO M4x10 INOX	SCREW
I.3921	CABLEADO BOTONERA UNO PROF 2016 CNTRL.ELEC.	BUTTON PANEL WIRING UNO PROF/ELEC. CNTRL.

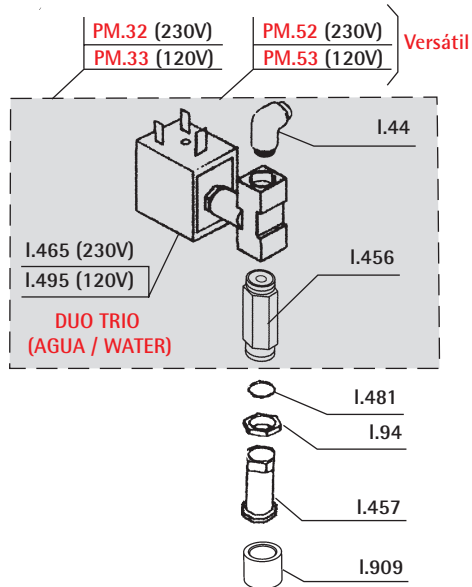


REF.	DESCRIPCIÓN	DESCRIPTION
I.3938	TUERCA CON ALAS M3	WING NUT M3
I.4301	TORNILLO SR 1972 NYLON 6.6 NATURAL	NATURAL NYLON SCREW 6. 6 SR1972
I.4163	ILUMINACION DREAM/STEEL	LIGHTING DREAM/STEEL



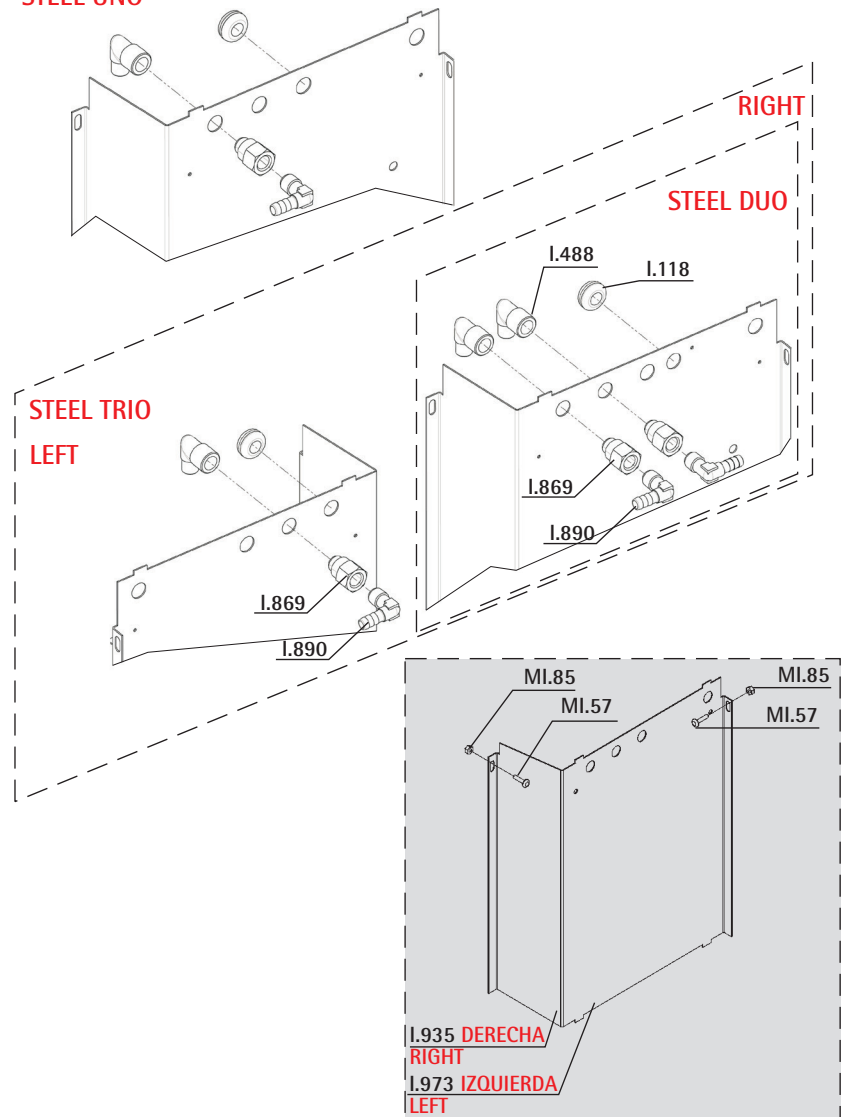
Salida Agua DUO/TRIO ■ Outlet Water DUO/TRIO

REF.	DESCRIPCIÓN	DESCRIPTION
I...44	RACOR CODO	ELBOW FITTING
I...94	TUERCA APRIETE GRIFO	TAP NUT
I..456	CONEXION SALIDA AGUA	WATER OUTLET CONNECTION
I..457	BOQUILLA SALIDA AGUA	WATER OUTLET STEM
I..465	ELECTROVALVULA 2 VIAS 1/8X1/8 230V	230V SOLENOID
I..481	ARANDELA COBRE 12X16X1.5	12X16X1.5 COPPER WASHER
I..495	ELECTROVALVULA.2 VIAS 1/8x1/8 110V	110V SOLENOID
I..909	ATOMIZADOR AGUA	WATER ATOMIZER
PM..32	CONJUNTO ELECTROVALVULA AGUA STEEL	220V STEEL WATER SOLEN. VALVE
PM..33	CONJUNTO ELECTROVALVULA AGUA STEEL	110V STEEL WATER SOLEN. VALVE
PM..52	CONJUNTO ELECTROVALVULA AGUA PROF.	230V PROF WATER SOLEN. VALVE
PM..53	CONJUNTO ELECTROVALVULA AGUA PROF.	110V PROF WATER SOLEN. VALVE

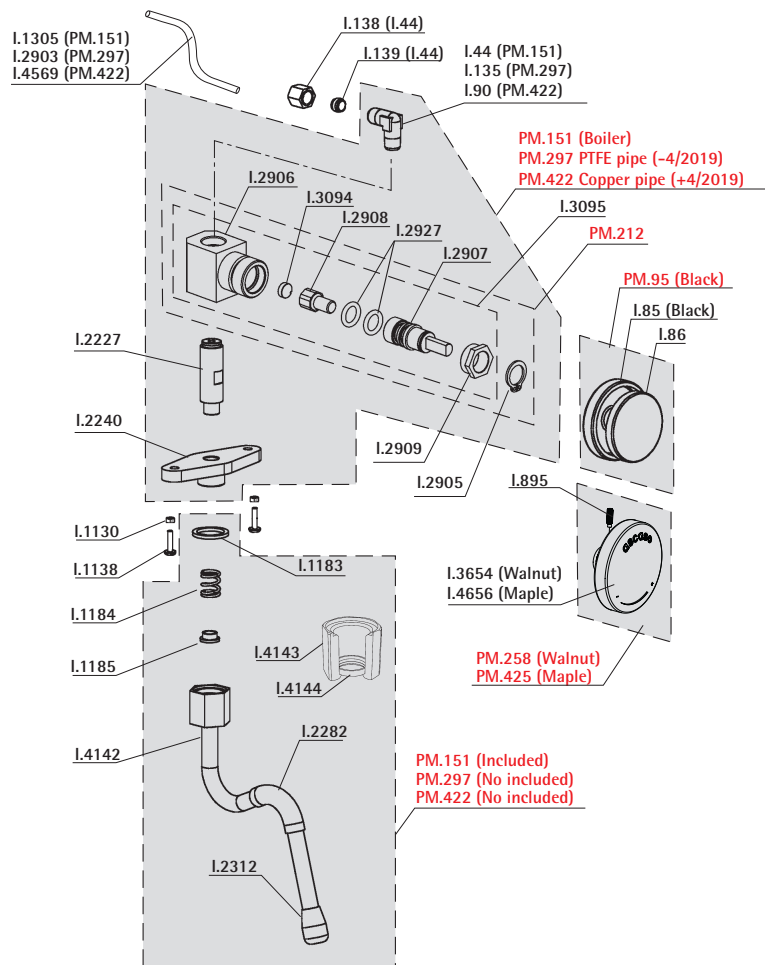


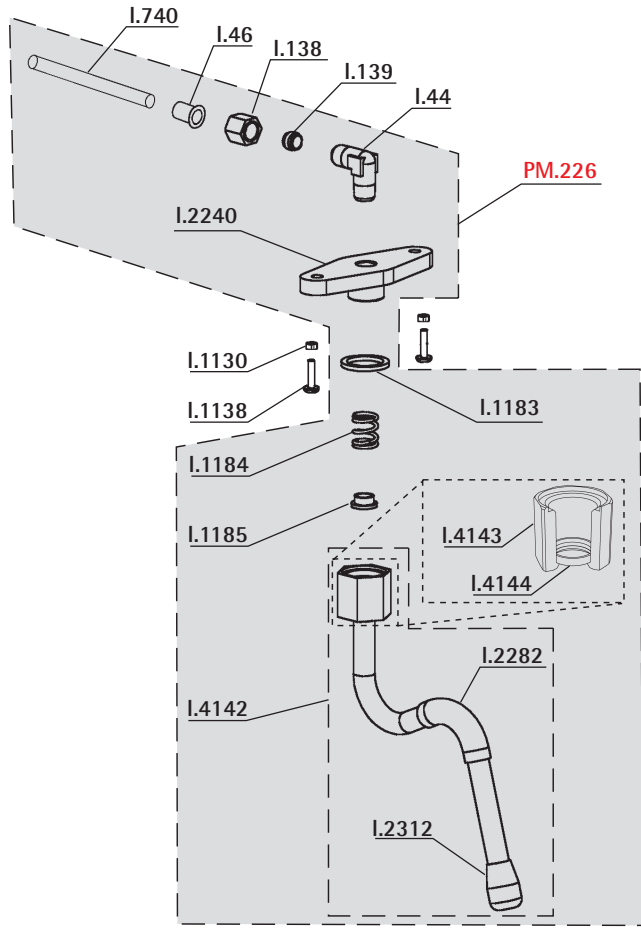
REF.	DESCRIPCIÓN	DESCRIPTION
I..118	PASACABLE	WIRINGPIN
I..198	REMACHE CORTO (3.2x6)	HEADLEM SCREW
I..488	RACOR CODO 1/8 M-H	1/8 M-H ELBOW FITTING
I..869	RACORD BASIC 2070 1/8" 1/8" 22	BASIC FITTING 2070 1/8" 1/8" 22
I..890	DESCARGA 3055 6 1/8" NIQUEL QUIMICO	OUTLET 3055 6 1/8"
I..935	COMPARTIMENTO DEPOSITO DRCH.	PLATE TANK (RIGHT)
I..973	COMPARTIMENTO DEPOSITO IZQ.	COMPARTMENT LEFT TANK
MI..57	TORNILLO M4X12	SCREW
MI..85	TUERCA DIN 934 M4 INOX	NUT

STEEL UNO



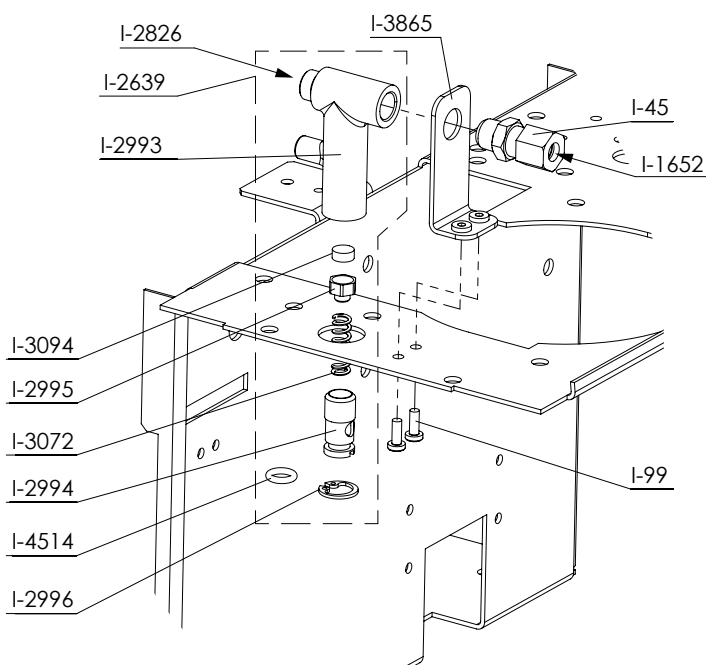
REF.	DESCRIPCIÓN	DESCRIPTION
I...44	RACOR CODO	RL BOIX FITTING
I...85	POMO GRIFO NEGRO	HANDLE
I...86	EMBELLECEDOR POMO INOX	INOX HANLE LID
I...90	RACOR CODO MACHO 1/8 LATON	FITTING
I..135	RACOR CODO 13280 4 1/8	FITTING
I..138	TUERCA BICONO	NUT
I..139	BICONO DE 4	BICONE
I..895	TORNILLO FIJACION EMBUDO INOX	FUNNEL FIXED SCREW
I.1130	TUERCA CON ARANDELA M5 INOX	NUT M5
I.1138	TORNILLO DIN 7985 M5x15 INOX	SCREW DIN 7985 M5x15 INOX
I.1183	ARANDELA GRIFO AGUA	WATER TAP WASHER
I.1184	MUELLE GRIFO SALIDA VAPOR-AGUA	STEAM-WATER OUTLET SPRING
I.1185	GUIA MUELLE GRIFO AGUA	SPRING GUIDE WATER TAP
I.1305	TUBO CU GRIFO UNO PROF	UNO PID CU PIPE FOR
I.2227	PROLONGACION TUBO VAPOR STEEL	STEEL CONNECT MD STEAM PIPE
I.2240	SOPORTE TUBO VAPOR MD STEEL	STEEL MD STEAM PIPE SUPPORT
I.2282	PROTECTOR TUBO VAPOR BARISTA	STEAM PIPE PROTECTOR BARISTA
I.2312	SALIDA TUBO VAPOR 1 AGUJERO	STEAM PIPE OUTLET
I.2903	TUBO TEFLON 2X4 (170mm)	TEFLON PIPE 2X4 (170mm)
I.2905	ARANDELA SEGURIDAD DIN471 E-10	LOCK RING DIN471 E-10
I.2906	CUERPO GRIFO 2014	TAP BODY 2014
I.2907	EJE GRIFO 2014	TAP SHAFT 2014
I.2908	SOPORTE TACO CIERRE GRIFO 2014	TAP CLOSING PEG SUPPORT 2014
I.2909	TUERCA CIERRE GRIFO 2014	TAP CLOSING NUT 2014
I.2927	JUNTA TORICA 8.5x2 SILICONA	O RING 8.5x2 SILICONE
I.3094	TACO CIERRE GRIFO 2014	TAP CLOSING PEG 2014
I.3095	CONJUNTO CUERPO GRIFO 2014	TAP ASSEMBLY 2014
I.3654	POMO VAPOR MADERA DREAM	STEAM TAP WOOD DREAM
I.4142	TUBO VAPOR MD STEEL UNO/DUO PROF	PIPE
I.4143	TUERCA TUBO VAPOR/AGUA PTFE	NUT STEAM/ WATER PTFE
I.4144	JUNTA TEFLON TUBO VAPOR/AGUA PTFE	TEFLON GASKET STEAM/ WATER PTFE
I.4656	POMO VAPOR MADERA ARCE DREAM	STEAM TAP MAPLE WOOD DREAM
I.4569	TUBO COBRE VAPOR STEEL UNO	COPPER PIPE STEAM STEEL UNO
PM..95	CJTO POMO NEGRO	BLACK HANDLE
PM.151	CJTO. GRIFO UNO PROF 2015	TAP ASSEMBLY 2015
PM.212	CONJUNTO CUERPO GRIFO 2014	TAP ASSEMBLY 2014
PM.297	CJTO. GRIFO UNO PROF 2016	TAP ASSEMBLY 2016
PM.258	POMO VAPOR NOGAL DREAM COMPLETO	SET STEAM TAP WALNUT DREAM
PM.422	CJTO. GRIFO UNO PROF 2018	TAP ASSEMBLY 2018
PM.425	POMO VAPOR ARCE DREAM COMPLETO	SET STEAM TAP MAPLE DREAM





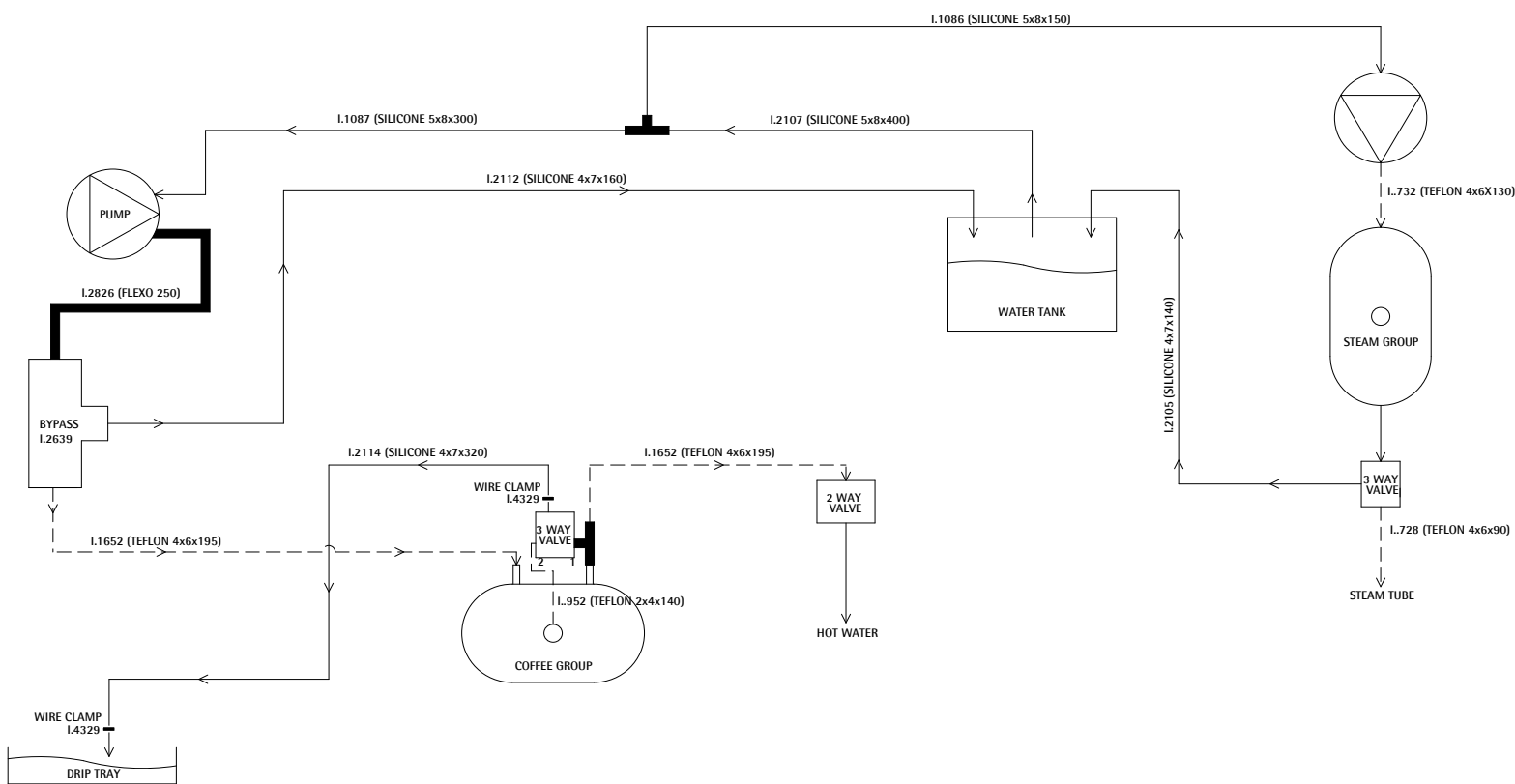
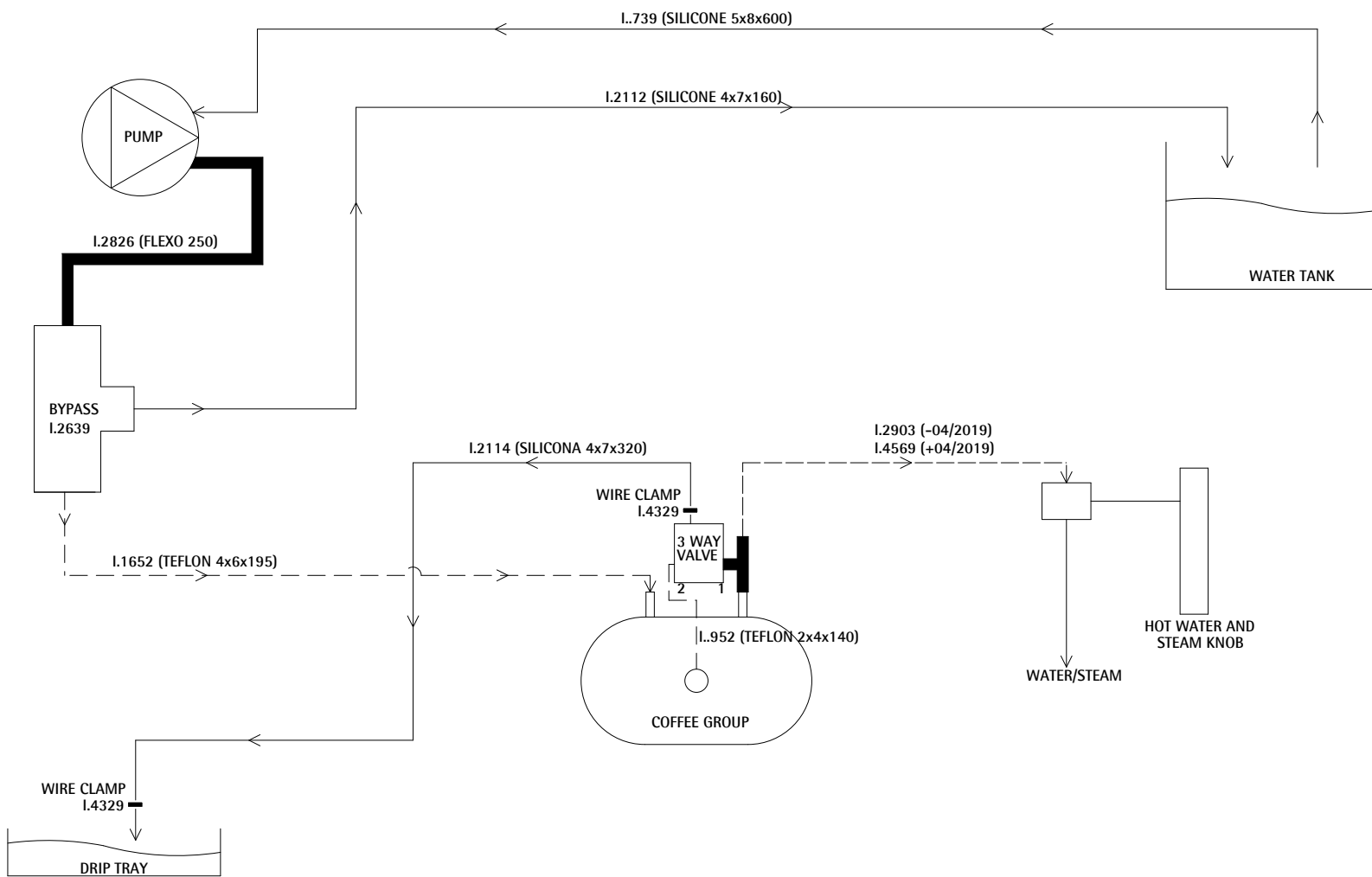
REF.	DESCRIPCIÓN	DESCRIPTION
I...44	RACORD CODO	RL BOIX FITTING
I...46	REFUERZO TUBO	PIPE REINFORCEMENT
I..138	TUERCA BICONO	NUT
I..139	BICONO DIAMETRO 6MM	BICONE
I..740	TUBO TEFLON 4X6 80MM	4X6 (80MM) TEFLON PIPE
I.1130	TUERCA CON ARANDELA M5 INOX	NUT M5
I.1138	TORNILLO DIN 7985 M5X15 INOX	SCREW DIN 7985 M5X15 INOX
I.1183	ARANDELA GRIFO AGUA	WATER TAP WASHER
I.1184	MUELLE GRIFO SALIDA VAPOR-AGUA	STEAM-WATER OUTLET SPRING
I.1185	GUIA MUELLE GRIFO AGUA	SPRING GUIDE WATER TAP
I.2240	SOPORTE TUBO VAPOR MD STEEL	STEEL MD STEAM PIPE SUPPORT
I.2282	PROTECTOR TUBO VAPOR BARISTA	STEAM PIPE PROTECTOR BARISTA
I.2312	SALIDA TUBO VAPOR 1 AGUJERO	STEAM PIPE OUTLET
I.4142	TUBO VAPOR MD STEEL UNO/DUO PROF PTFE	UNO/DUO PROF PIPE PTFE
I.4143	TUERCA TUBO VAPOR/AGUA PTFE	NUT STEAM/ WATER PTFE
I.4144	JUNTA TEFLON TUBO VAPOR/AGUA PTFE	TEFLON GASKET STEAM/ WATER PTFE
PM.226	CJTO LANZA VAPOR TRIO/DUO PROF 2015	ASSY. HEAT PIPE TRIO/DUO PROF 2015

BY-PASS ASCASO ■ BY-PASS ASCASO

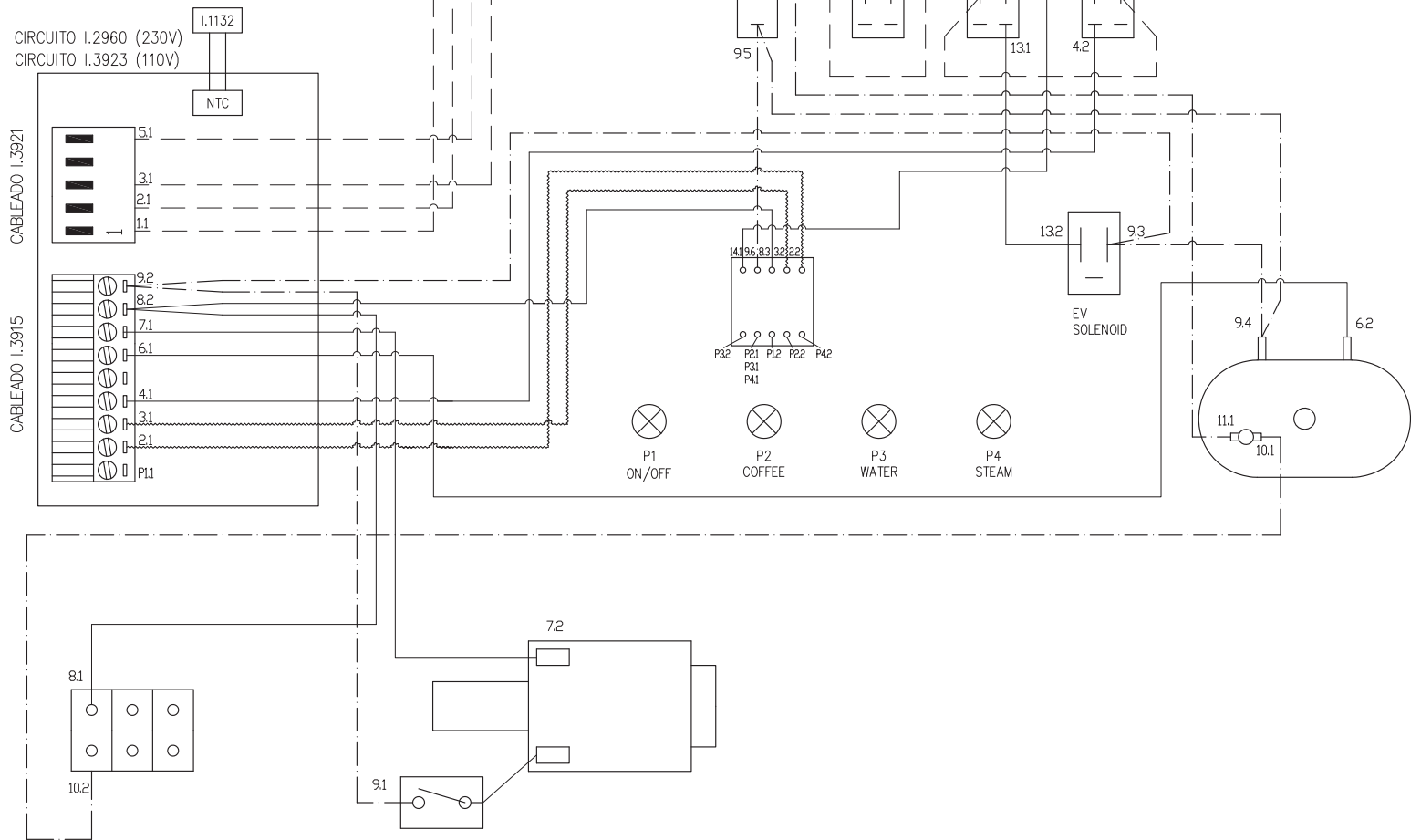


REF.	DESCRIPCIÓN	DESCRIPTION
I...45	RACOR RECTO	STRAIGHT FITTING
I...99	TORNILLO DIN 7985 M3x8 INOX A-4	SCREW DIN 7985 M3x8 A-4
I.1652	TUBO TEFLON 4X6 (195mm)	WATER INLET PTFE PIPE
I.2639	BY-PASS BODY	BY-PASS ASCASO
I.2826	TUBO FLEXIBLE 250MM 1/8"Hx1/8"H	FLEXIBLE 250MM
I.2993	CUERPO BY-PASS	BY-PASS BODY
I.2994	REGULADOR BY-PASS	BY-PASS REGULATOR
I.2995	ALOJAMIENTO JUNTA CIERRE BY-PASS	GASKET/ACCOMMODATION BYPASSLOCK
I.2996	ARANDELA SEEGER DIN472 ø12	SEEGER DIN472 ø12
I.3072	MUELLE BY-PASS ASCASO	BY-PASS ASCASO SPRING
I.3094	TACO CIERRE GRIFO 2014	TAP CLOSING PEG 2014
I.3865	SOPORTE OPV STEEL UNO/DUO	SUPPORT OPV STEEL UNO/DUO
I.4514	JUNTA TORICA 6X1.5 NBR70	O-RING 6X1.5 NBR70

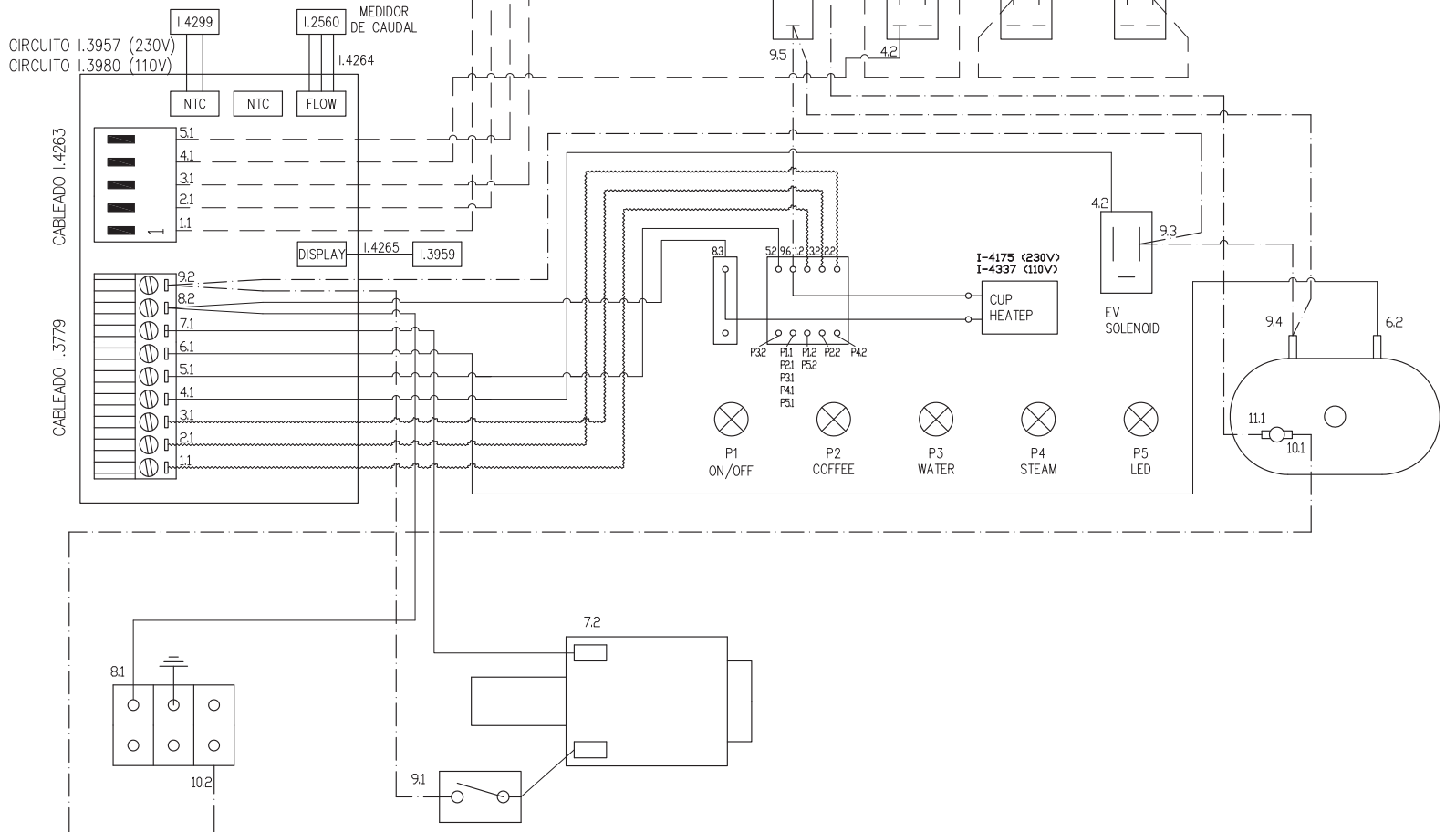
**Steel
Hidraulic scheme
and
Electrical scheme**

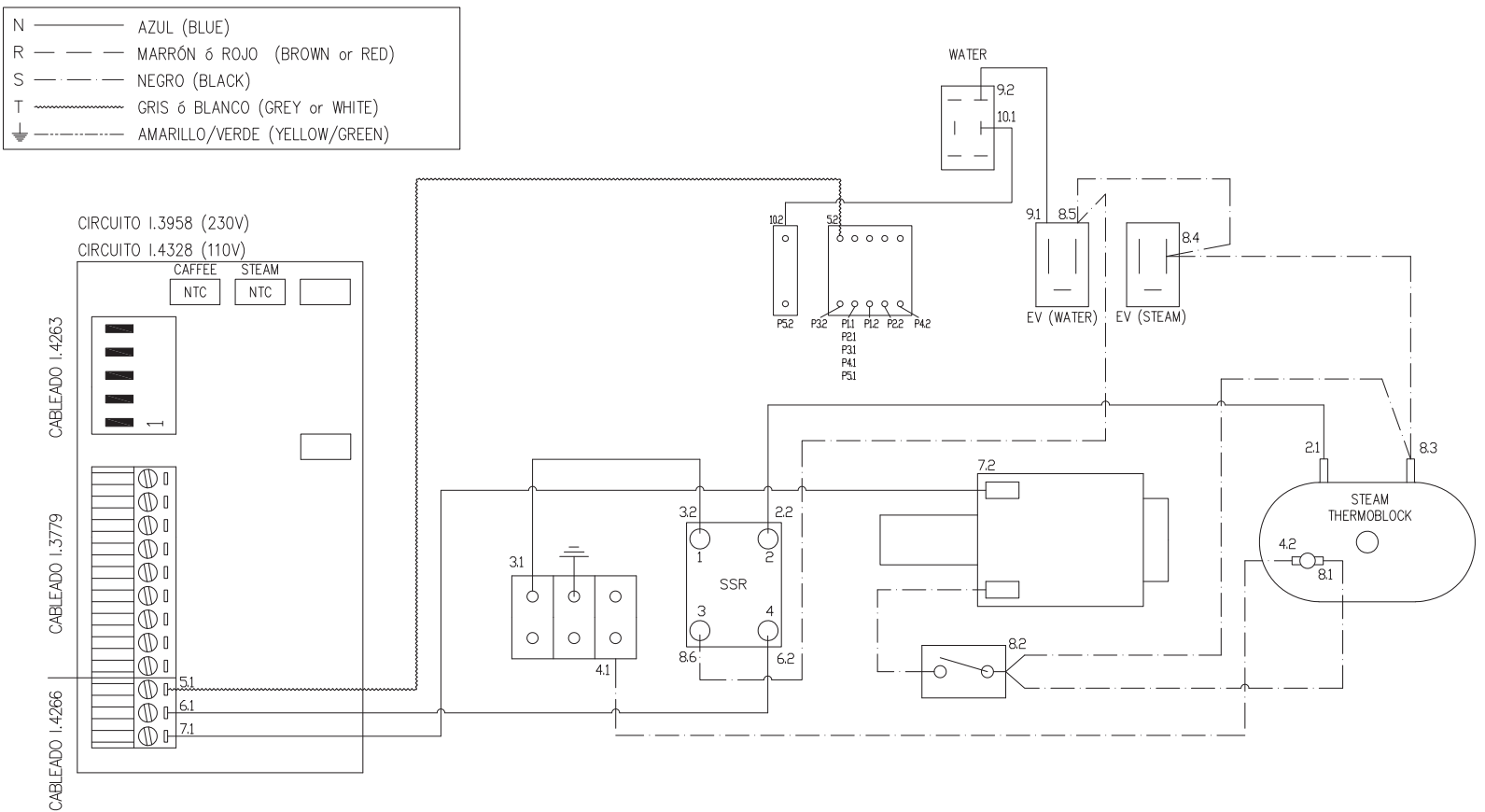
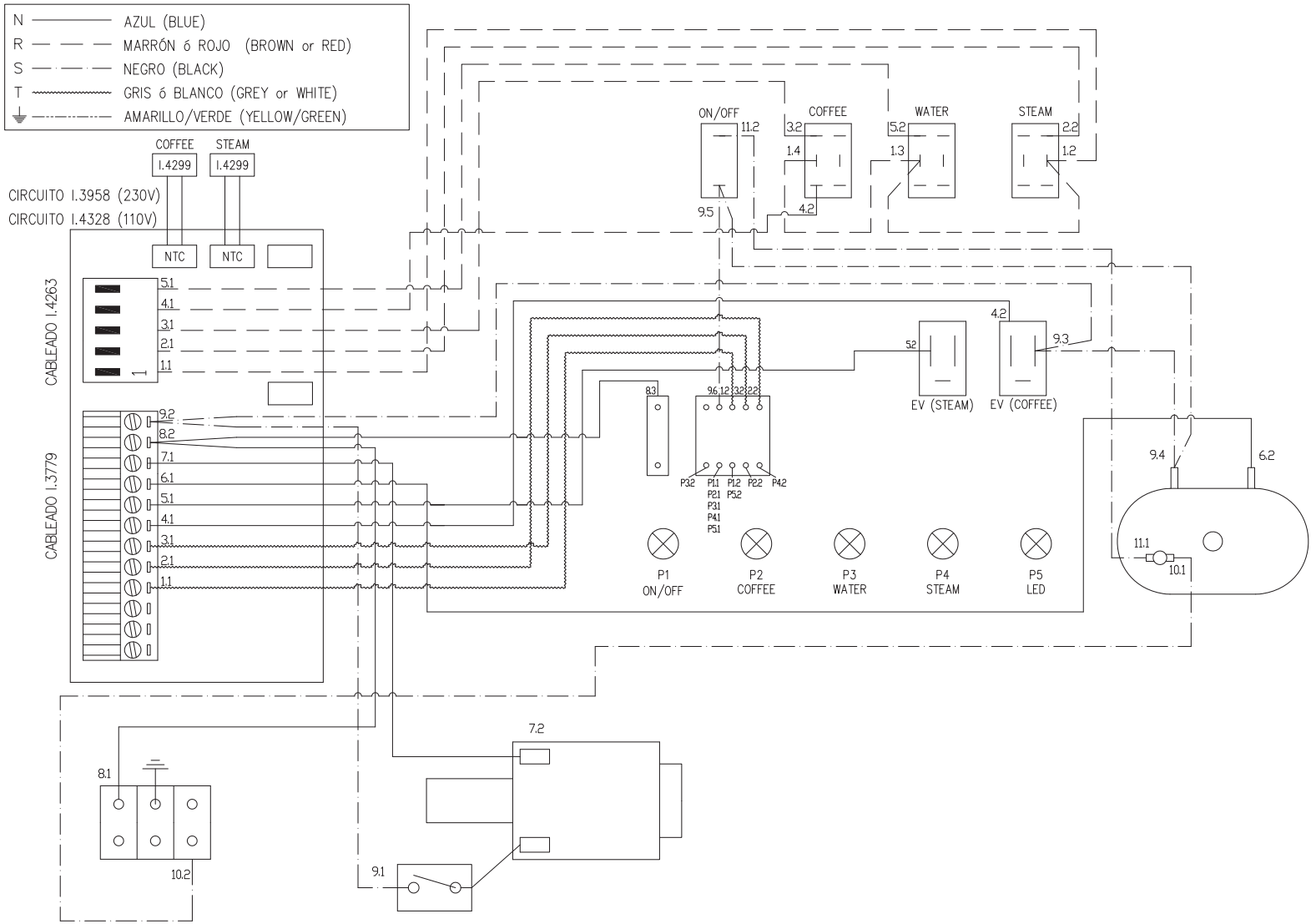


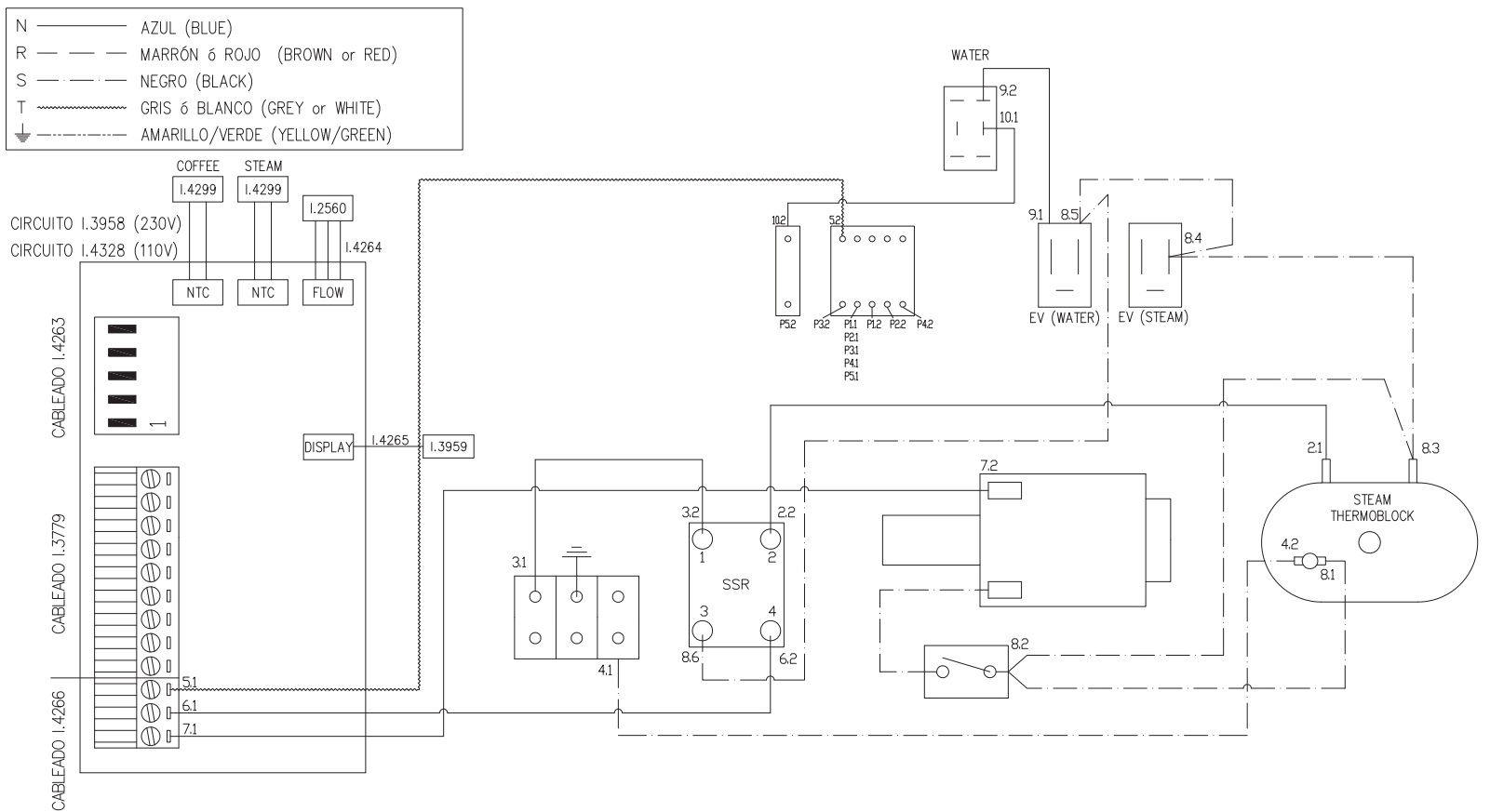
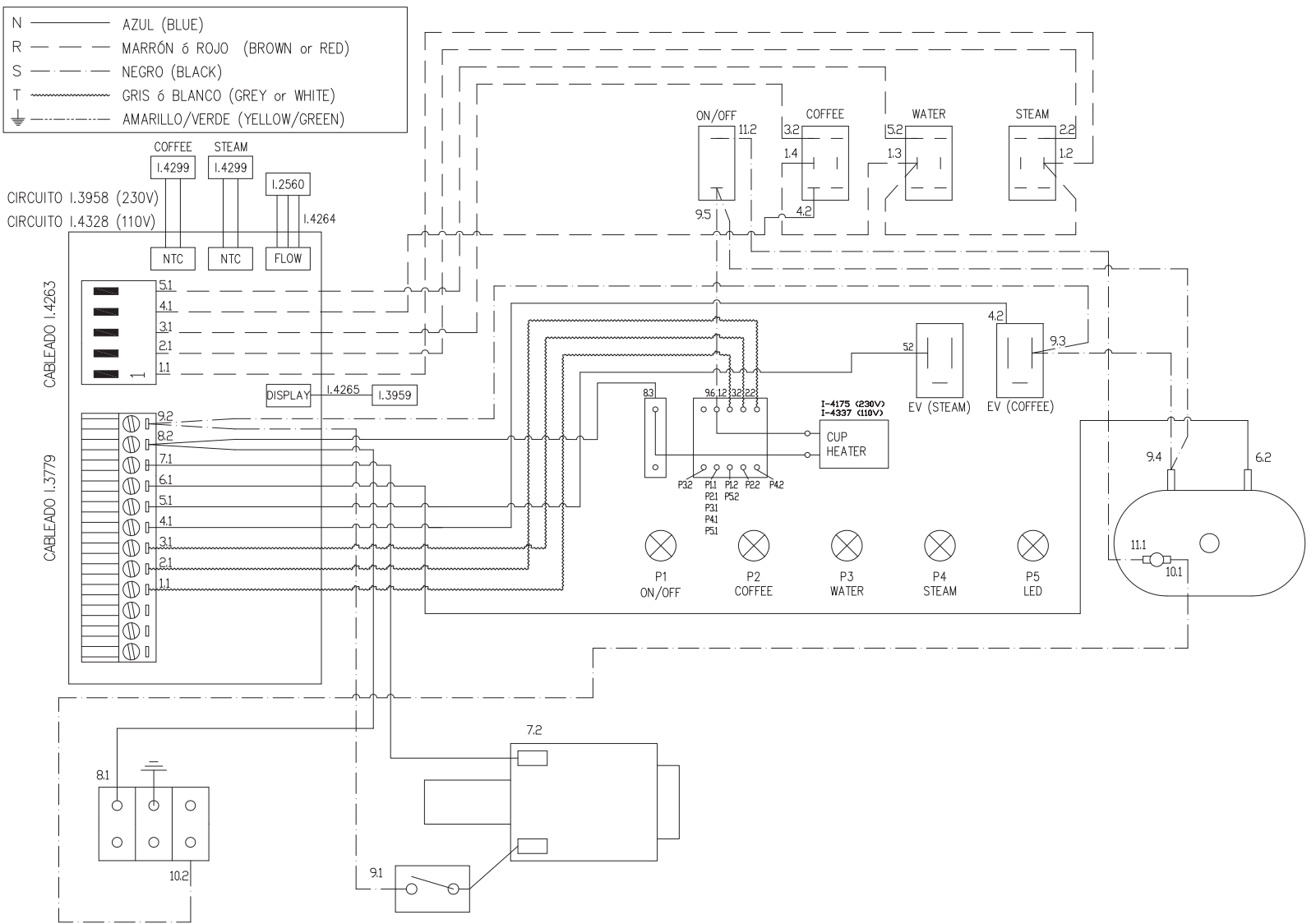
- N — AZUL (BLUE)
- R — MARRÓN ó ROJO (BROWN or RED)
- S — NEGRO (BLACK)
- T — GRIS ó BLANCO (GREY or WHITE)
- ↓ — AMARILLO/VERDE (YELLOW/GREEN)



- N — AZUL (BLUE)
- R — MARRÓN ó ROJO (BROWN or RED)
- S — NEGRO (BLACK)
- T — GRIS ó BLANCO (GREY or WHITE)
- ↓ — AMARILLO/VERDE (YELLOW/GREEN)



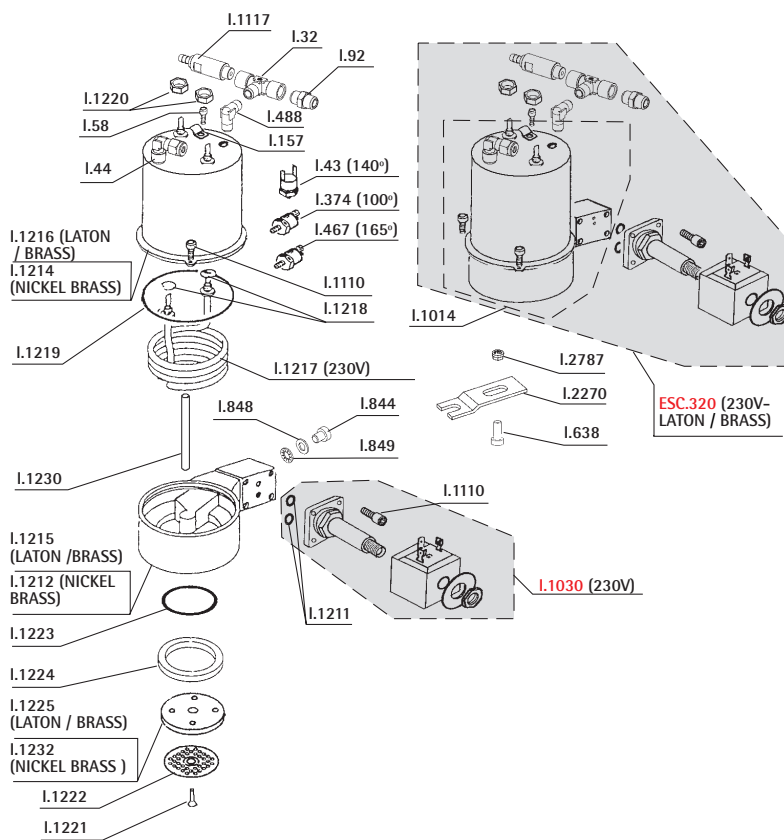




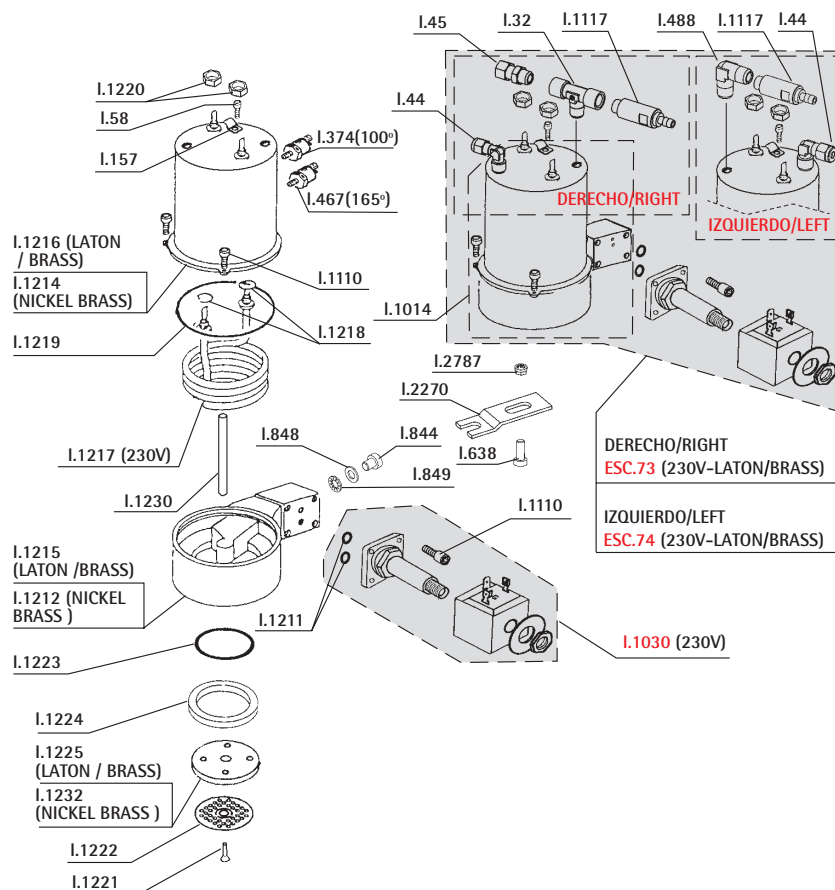


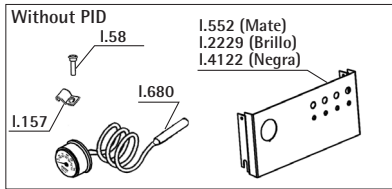
Steel 2019 Boncafe

REF.	DESCRIPCIÓN	DESCRIPTION
ESC320	GRUPO PROF NEW UNO 230V	GROUP PROF NEW UNO 230V
I...32	RACOR TE CENTRAL	CENTRAL FITTING
I...43	TERMOSTATO 140°	140° THERMOSTAT
I...44	RACOR CODO	ELBOW FITTING
I...58	TORNILLO BRIDA FUSIBLE	SCREW
I...92	RACOR 1/8"	FITTING MALE
I...157	BRIDA FIJACION FUSIBLE/TERMOMETRO	SPRING
I...374	TERMOSTATO 100°	100° THERMOSTAT
I...467	TERMOSTATO SEGURIDAD M4 165°	M4 165° SAFETY THERMOSTAT
I...488	RACOR CODO 1/8 M-H	1/8 M-H ELBOW FITTING
I...583	RESISTENCIA CALDERA PROF. 1000W	1000W 120V PROF BOILER RESIST
I...638	TORNILLO SUJECION TERMOMETRO INOX	THERMOMETER SCREW
I...844	TORNILLO ALLEN DIN 912 M8X10 A-4 INOX	ALLEN SCREW M4X10
I...848	ARANDELA PLANA M8 INOX	WASHER
I...849	ARANDELA DENTADA M8 ZN	M8 WASHER
I...955	TORICA SALIDA CAFE PROF.	PROF COFFEE SPOUT RING
I.1030	ELECTROV. GRUPO PROF. C 230V NSF	GROUP PROF. SOLENOID 230V
I.1110	TORNILLO ALLEN M4X10	ALLEN SCREW M4X10
I.1117	VALVULA EXPANSION	EXPANSION VALVES GROUP
I.1167	ARO RETENCION FILTRO PROF.	PROF SPRING FILTER
I.1182	CACILLO CIEGO PROF/BARISTA	PROF BLIND FILTER
I.1211	TORICA ELECTROVALVULA	SOLENOID RING
I.1212	BASE CALDERA PROF. NIQUEL	NICKEL PROF. BOILER BASE
I.1214	CALDERA PROF. NIQUEL	NICKEL PROF. BOILER
I.1215	BASE CALDERA PROF LATON	PROF. BOILER BASE
I.1216	CALDERA PROF. LATON	BRASS PROF. BOILER
I.1217	RESISTENCIA CALDERA PROF 230V	PROF BOILER RESIST. 230V
I.1218	JUNTA RESISTENCIA 17X12X2mm	RESISTANCE GASKET 17X12X2mm
I.1219	JUNTA CALDERA	BOILER GASKET
I.1220	TUERCA CALDERA PROF	PROF. BOILER NUT
I.1221	TORNILLO ALLEN M 5x12 INOX	INOX M5X12 SREW
I.1222	DUCHA PROF. DIAM. 52	PROF. SHOWER DIAM 52
I.1223	JUNTA PORTADUCHAS	SHOWER HOLDER GASKET
I.1224	JUNTA PORTAFILTRO	FILTERHOLDER GASKET
I.1225	PORTADUCHAS PROF	PROF SHOWER HOLDER
I.1230	CHIMENEA CALDERA PROF	NUT WITH GASKET M8
I.1232	PORTADUCHAS PROF. NIQUEL	NICKEL PROF SHOWERHOLDER
I.2270	BRIDA FIJ. GRUPO UNO/DUO PROF	CLAPS UNO
I.2787	TUERCA AUTOBLOCANTE D985 D2 M5 INOX	LOCK NUT D85 A2 M5

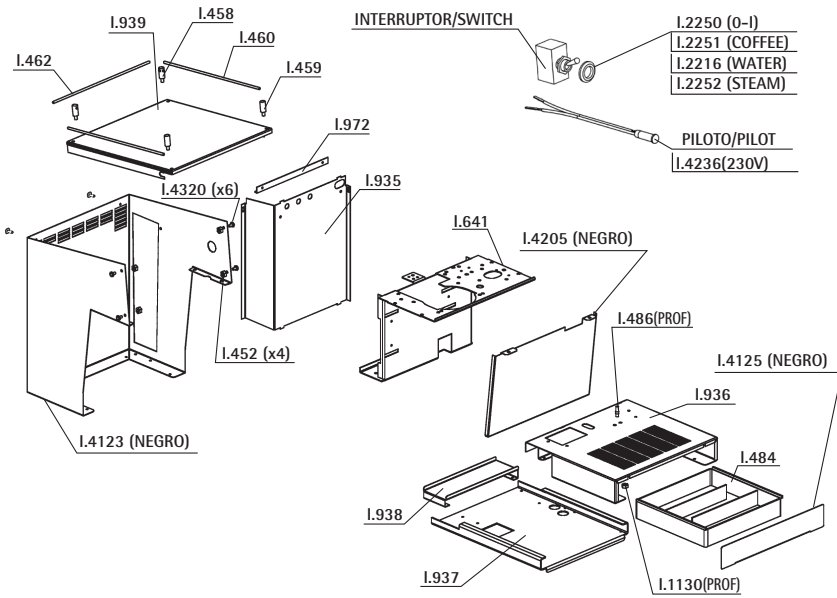


REF.	DESCRIPCIÓN	DESCRIPTION
ESC.73	GRUPO PROF TRIO DRCH 230V	GROUP PROF TRIO RIGHT 230V
ESC.74	GRUPO PROF IZQ.TRIO OPV 220V	GROUP PROF LEFT. TRIO OPV 220V
ESC139	GRUPO PROF TRIO DRCH. 120V	GROUP PROF TRIO RIGHT. 120V
ESC140	GRUPO PROF IZQ.TRIO OPV 120V	GROUP PROF LEFT. TRIO OPV 120V
I...32	RACOR TE CENTRAL	CENTRAL FITTING
I...44	RACOR CODO	ELBOW FITTING
I...45	RACOR RECTO	STRAIGHT FITTING
I...58	TORNILLO BRIDA FUSIBLE	SCREW
I...157	BRIDA FIJACION FUSIBLE/TERMOMETRO	SPRING
I...374	TERMOSTATO 100°	100° THERMOSTAT
I...467	TERMOSTATO SEGURIDAD M4 165°	M4 165° SAFETY THERMOSTAT
I...488	RACOR CODO 1/8 M-H	1/8 M-H ELBOW FITTING
I...534	FILTRO 1 CAFE PROFESIONAL	PROFESSIONAL 1 COFFEE FILTER
I...535	FILTRO 2 CAFES PROFESIONAL	PROFESSIONAL 2 COFFEE FILTER
I...635	RESISTENCIA PROF.700W / 120V	700W / 120V PROF RESISTANCE
I...638	TORNILLO SUJECION TERMOMETRO INOX	THERMOMETER SCREW
I...844	TORNILLO ALLEN DIN 912 M8X10 A-4 INOX	ALLEN SCREW M4X10
I...848	ARANDELA PLANA M8 INOX	WASHER
I...849	ARANDELA DENTADA M8 ZN	M8 WASHER
I...955	TORICA SALIDA CAFE PROF.	PROF COFFEE SPOUT RING
I.1030	ELECTROV. GRUPO PROF. C 230V NSF	GROUP PROF. SOLENOID 230V
I.1032	ELECTROV. GRUPO PROF. C 110V NSF	GROUP PROF. SOLENOID 120V
I.1110	TORNILLO ALLEN M4X10	ALLEN SCREW M4X10
I.1117	VALVULA EXPANSION	EXPANSION VALVES GROUP
I.1167	ARO RETENCION FILTRO PROF.	PROF SPRING FILTER
I.1182	CACILLO CIEGO PROF/BARISTA	PROF BLIND FILTER
I.1211	TORICA ELECTROVALVULA	SOLENOID RING
I.1212	BASE CALDERA PROF. NIQUEL	NICKEL PROF. BOILER BASE
I.1214	CALDERA PROF. NIQUEL	NICKEL PROF. BOILER
I.1215	BASE CALDERA PROF LATON	NICKEL PROF. BOILER
I.1216	CALDERA PROF. LATON	BRASS PROF. BOILER
I.1217	RESISTENCIA CALDERA PROF 230V	PROF BOILER RESIST. 230V
I.1218	JUNTA RESISTENCIA 17X12X2mm	RESISTANCE GASKET 17X12X2mm
I.1219	JUNTA CALDERA	BOILER GASKET
I.1220	TUERCA CALDERA PROF	PROF. BOILER NUT
I.1221	TORNILLO ALLEN M 5x12 INOX	INOX M5X12 SREW
I.1222	DUCHA BAR	BAR SHOWER
I.1223	JUNTA PORTADUCHAS	SHOWER HOLDER GASKET
I.1224	JUNTA PORTAFILTRO	FILTERHOLDER GASKET
I.1225	PORTADUCHAS PROF	PROF SHOWER HOLDER
I.1230	CHIMENEA CALDERA PROF	NUT WITH GASKET M8
I.1232	PORTADUCHAS PROF. NIQUEL	NICKEL PROF SHOWERHOLDER
I.1602	CUERPO PORTAFILTRO M12 INCLINADO	INCLINED BRASS FILTERHOLDER M12
I.1603	MANGO PORTAFILTRO BARISTA	FILTERHOLDER HANDLE
I.1607	SALIDA 1 CAFE ABIERTA	1 COFFEE SPOUT
I.1608	SALIDA 2 CAFES ABIERTA	2 COFFEES SPOUT
I.2270	BRIDA FIJ. GRUPO UNO/DUO PROF	CLAPS UNO
I.2787	TUERCA AUTOBLOCANTE D985 D2 M5 INOX	LOCK NUT D85 A2 M5
I.2623	CACILLO POD PROF.	LADLE POP PROF.
I.2669	CACILLO 1C SC PROF.	FILTER 1C SC PROF.
I.2670	CACILLO 2C SC PROF.	FILTER 2C SC PROF.
PM..91	CJTO PORTAFILTRO PROF 2 CAFES	2 COFFEES PROF F.HOLDER WHOLE
PM..92	CJTO PORTAFILTRO PROF 1 CAFE	1 COFFEE PROF F.HOLDER WHOLE
PM.279	PORTAFILTRO BARISTA SIN FONDO	WEGA WITHOUT BOTTOM F.HOLDER
V.2910	PORTA SUPER-CREMA PROF CAPSULA	CAPSULE SUPER CREAM F.HOLDER
V.6161	PORTAFILTRO CAPSULA BAR	BAR CAPSULE FILTERHOLDER



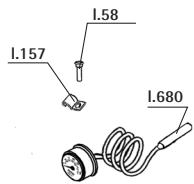


MODELO/MODEL	CARÁTULA/ FONT PANEL	INTERRUPTORES/SWITCHES			
		ON/OFF	COFFEE	WATER	STEAM
UNO VERSATIL	i.4122	i.163	i.158	i.158	i.158

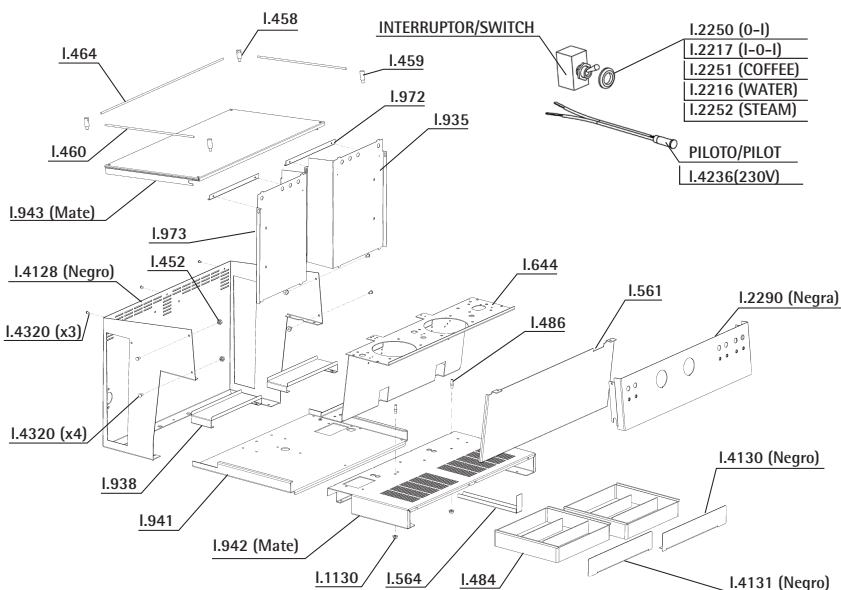


REF.	DESCRIPCIÓN	DESCRIPTION
I...58	TORNILLO BRIDA FUSIBLE	SCREW SPRING
I..157	MUELLE FIJACION FUSIBLE PF	ON-OFF BIP. SWITCH
I..158	INTERRUPTOR DREAM BIPOLAR ON-OFF	DREAM ON-ON SWITCH
I..163	INTERRUPTOR DREAM ON-ON	NUT WITH WASHER
I..422	TUERCA CON ARANDELA M4 INOX	FRONTAL NUT
I..452	TUERCA SUJECION CARATULA	CORNER SUPPORT
I..458	SOPORTE BARANDILLA ESQUINA	SUPPORT
I..459	SOPORTE BARANDILLA LINEA	LATERAL BAR (257mm)
I..460	VARILLA LATERAL 257mm	BACK ROD DUO
I..462	VARILLA FONDO DUO 250mm	WATER DRAWER
I..484	CAJON AGUA	PROF STEM
I..486	BOQUILLA DESCARGA UNO	FRONTAL
I..518	FRONTAL CAJON UNO-DUO	EMBELLISH DUO
I..523	FRONTAL INTER. UNO DUO	MASK UNO DUO PROF
I..552	CARATULA UNO DUO PROF	DUO PROF.MECHANISME BASE
I..641	BASE MECANISMOS UNO DUO	STEEL TERMOMETER
I..680	TERMOMETRO STEEL	UNO DUO DL ENVELOPING
I..934	CARROCERIA UNO DUO	PLATE TANK (RIGHT)
I..935	COMPARTIMENTO DEPOSITO DRCH	BASE UNO DUO DL
I..936	BASE UNO DUO	BOTTON BASE DUO DL
I..937	BASE FONDO UNO DUO	TANK BASE DL
I..938	BASE DEPOSITO DL	UNO DUO UPPER LID
I..939	TAPA SUPERIOR UNO DUO	GUIDE
I..972	GUIA COMPARTIMENTO	NUT M5
I.1130	TUERCA CON ARANDELA M5	3 POSITION SWITCH - STEEL
I.2213	CONMUTADOR 3 POSICIONES STEEL	DREAM SWITCH NUT - WATER
I.2216	TUERCA INTERRUPTOR DREAM WATER	DREAM SWITCH NUT - ON/OFF/ON
I.2217	TUERCA INTERRUPTOR DREAM I-O-I	MASK UNO DUO PROF SHINE
I.2225	CIERRE BASE MECANISMOS STEEL P	SWITCH DREAM NUT ON/OFF
I.2250	TUERCA INTERRUPTOR DREAM ON/OFF	SWITCH DREAM NUT COFFEE
I.2251	TUERCA INTERRUPTOR DREAM COFFE	SWITCH DREAM NUT STEAM
I.2252	TUERCA INTERRUPTOR DREAM STEAM	MASK UNO DUO PROF
I.2229	CARATULA UNO - DUO PM/PF/PROF BRILLO	COFFEE SWITCH STEEL TRONIC '16
I.3920	INTERRUPTOR CAFE STEEL TRONIC 2016	WHITE PILOT LIGHT STEEL 110V UL
I.4027	PILOTO BLANCO STEEL 125V UL	MASK UNO DUO PROF BLACK
I.4122	CARATULA UNO-DUO PM/PF/PROF NEGRA	UNO DUO ENVELOPING BLACK
I.4123	ENVOLVENTE UNO DUO NEGRO	DRAWER FRONTAL UNO DUO BLACK
I.4125	FRONTAL CAJON UNO DUO NEGRO	INTERMEDIAT FRONT UNO DUO BLACK
I.4205	FRONTAL INERT UNO DUO PM/PF NEGRO	FRONTAL UNO DUO PID 2017 SHINE
I.4206	CARATULA UNO DUO PID 2017 AISI304 BRILLO	FRONTAL UNO DUO PID 2017 BLACK
I.4207	CARATULA UNO DUO PID 2017 NEGRO	FRONTAL UNO DUO PID 2017 WHITE
I.4208	CARATULA UNO DUO PID 2017 BLANCA	FRONTAL UNO DUO PID 2017 SHINE
I.4209	FRONTAL INTERMEDIO UNO DUO AISI304 BRILLO	INTERMEDIATE FRONT UNO DUO WHITE
I.4210	FRONTAL INTERMEDIO UNO DUO BLANCO	INTERMEDIATE FRONT UNO DUO SHINE
I.4211	FRONTAL CAJON UNO DUO AISI 304 BRILLO	DRAWER FRONTAL UNO DUO SHINE
I.4212	FRONTAL CAJON UNO DUO BLANCO	DRAWER FRONTAL UNO DUO WHITE
I.4213	ENVOLVENTE UNO DUO AISI304 BRILLO	ENVELOPING UNO DUO SHINE
I.4214	ENVOLVENTE UNO DUO BLANCO	ENVELOPING UNO DUO WHITE
I.4215	BASE UNO DUO AISI304 BRILLO	BASE UNO DUO SHINE
I.4216	TAPA SUPERIOR UNO DUO AISI304 BRILLO	UPPER LID UNO DUOP SHINE
I.4218	SOPORTE MANOMETRO STEEL PID 2017	MANOMETER BRACKET STEEL PID 2017
I.4220	MANOMETRO DREAM/STEEL	MANOMETER DREAM/STEEL
I.4236	PILOTO BLANCO STEEL 230V	PILOT WHITE STEEL 220V
I.4320	TORNILLO SUJECION CARATULA	FRONTAL SCREW
I.4610	JUNTA 8,5x4,4x2 PTFE	GASKET 8,5x4,4x2 PTFE

Carrocería TRIO ■ TRIO bodywork

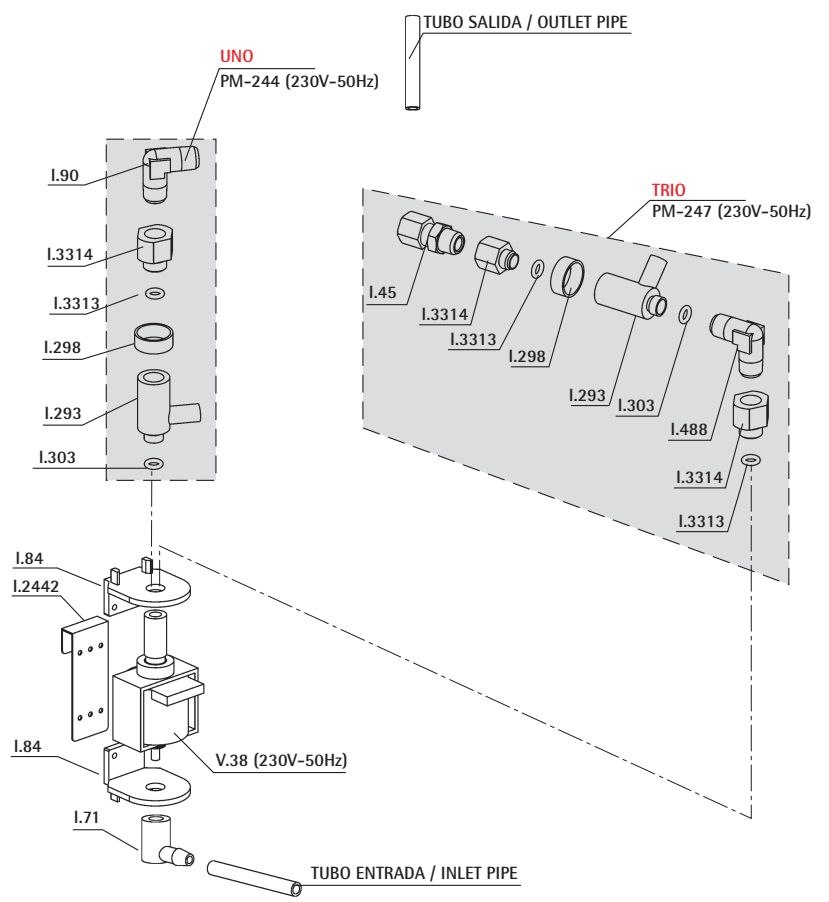


MODELO/MODEL	CARÁTULA/ FONT PANEL	INTERRUPTORES/SWITCHES					
		ON/OFF	CAFFEE	CAFFEE	WATER	ON/OFF STEAM	STEAM
TRIO	I.594 - I.4127 I.2290	I.158	I.163	I.158	I.158	I.163	I.158



REF.	DESCRIPCIÓN	DESCRIPTION
I...58	TORNILLO BRIDA FUSIBLE	SCREW SPRING
I..157	MUELLE FIJACION FUSIBLE PF	ON-OFF BIP. SWITCH
I..158	INTERRUPTOR DREAM BIPOLAR ON-OFF	DREAM ON-ON SWITCH
I..163	INTERRUPTOR DREAM ON-ON	FRONTAL NUT
I..452	TUERCA CARÁTULA	CORNER SUPPORT
I..458	SOPORTE BARANDA CORNER	SUPPORT
I..459	SOPORTE BARANDILLA LINEA	LATERAL BAR (257MM)
I..460	VARILLA LATERAL (257MM)	FRONTAL BAR TRIO
I..464	VARILLA FONDO TRIO	WATER DRAWER
I..484	CAJÓN AGUA	PROF STEM
I..486	BOQUILLA DESCARGA PROF/PM	BEAUTIFYING TRIO
I..558	BASE MECANISMOS TRIO	FRONTAL RIGHT DRAWER TRIO
I..561	FRONTAL INTERMEDIO TRIO	FRONTAL LEFT DRAWER TRIO
I..562	FRONTAL CAJÓN DRCH. TRIO	DRAWER GUIDE BASE TRIO
I..563	FRONTAL CAJÓN IZQ TRIO	TRIO PROFESSIONAL FRONTAL
I..564	GUIA CAJÓN BASE TRIO	STEEL TERMOMETER
I..594	CARATULA TRIO PROF	PLATE TANK (RIGHT)
I..680	TERMOMETRO STEEL	TANK BASE DL
I..935	COMPARTIMENTO DEPOSITO DERECHO	TRIO DL ENVELOPING
I..938	BASE DEPOSITO	BOTTON BASE TIO DL
I..940	ENVOLVENTE TRIO DL	BASE TRIO DL
I..941	BASE FONDO TRIO DL	TAPA SUPERIOR TRIO DL
I..942	BASE TRIO DL	GUIDE COMPARTIMENTO
I..943	TAPA SUPERIOR TRIO DL	COMPARTIMENTO DEPOSITO IZQ.
I..972	GUIA COMPARTIMENTO	NUT M5
I..973	COMPARTIMENTO DEPOSITO IZQ.	DREAM SWITCH NUT - WATER
I.1130	TUERCA CON ARANDELA M5 INOX	DREAM SWITCH NUT - ON/OFF/ON
I.2216	TUERCA INTERRUPTOR DREAM WATER	SWITCH DREAM NUT ON/OFF
I.2217	TUERCA INTERRUPTOR DREAM I-O-I	SWITCH DREAM NUT COFFEE
I.2250	TUERCA INTERRUPTOR DREAM ON/OFF	SWITCH DREAM NUT STEAM
I.2251	TUERCA INTERRUPTOR DREAM COFFE	MASK TRIO PROF SHINE
I.2252	TUERCA INTERRUPTOR DREAM STEAM	BASE TRIO DL SHINNING
I.2290	CARATULA TRIO PROF BRILLO	TRIO DL UPPER LID SHINE
I.2292	BASE TRIO DL BRILLO	ENVELOPING TRIO SHINE
I.2293	TAPA SUPERIOR TRIO DL BRILLO	FRONTAL RIGHT DRAWER TRIO SHINE
I.2294	ENVOLVENTE TRIO BRILLO	FRONTAL LEFT DRAWER TRIO SHINE
I.2295	FRONTAL CAJÓN DRCH. TRIO BRILLO	FRONTAL LEFT DRAWER TRIO SHINE
I.2296	FRONTAL CAJÓN IZQ TRIO BRILLO	WHITE PILOT LIGHT STEEL 110V UL
I.4027	PILOTO BLANCO STEEL 125V UL	MASK TRIO BLACK
I.4127	CARATULA TRIO NEGRO	ENVELOPING TRIO BLACK
I.4128	ENVOLVENTE TRIO NEGRO	FRONTAL RIGHT DRAWER TRIO BLACK
I.4130	FRONTAL CAJÓN DRCH. TRIO NEGRO	FRONTAL LEFT DRAWER TRIO BLACK
I.4131	FRONTAL CAJÓN IZQ TRIO NEGRO	PILOT WHITE STEEL 220V
I.4236	PILOTO BLANCO PID 250V	SCREW M4x8 DIN7380 INOX A2.
I.4320	TORNILLO M4x8 DIN7380 INOX A2.	

REF.	DESCRIPCIÓN	DESCRIPTION
I...45	RACOR RECTO	STRAIGHT FITTING
I...71	PIPETA ASPIRACION	90° FITTING
I...84	SOPORTE BOMBA 90°	PUMP SUPPORT
I...90	RACOR CODO MACHO 1/8 LATON	FITTING
I.293	VALVULA S2	S2 VALVE
I.298	CASQUILLO REFUERZO S-2	S-2 RING REFORCEMET
I.303	TORICA S-2	S-2 RING
I.488	RACOR CODO 1/8 M-H	1/8 M-H ELBOW FITTING
I.729	TUBO TEFLON 4x6 (100mm)	4x6 (100mm) TEFLON PIPE
I.730	TUBO TEFLON 4x6 (110mm)	4x6 (110mm) TEFLON PIPE
I.739	TUBO SILICONA 5X8 (600mm)	SILICONE PIPE 5X8 (600mm)
I.1080	TUBO SILICONA 5X8 (500mm)	SILICONE PIPE 5X8 (500mm)
I.2107	TUBO SILICONA 5X8 (400mm)	SILICONE PIPE 5X8 (400mm)
I.2826	TUBO FLEXIBLE 250mm 1/8"Hx1/8"H	FLEXIBLE 250mm
I.2442	SOPORTE ANTIVIBRACION BOMBA	PUMP SUPPORT
PM.244	CJTO BOMBA UNO/DUO PROF BONCAFE 230V	UNO/DUO PROF BONCAFE 230V PUMP
PM.247	CJTO BOMBA TRIO PROF/TRONIC BONCAFE 220V	TRIO BONCAFE PUMP WHOLE 220V
V...38	BOMBA EX5 230V-50HZ	EX5 230V-50HZPUMP



MODEL	230V-50Hz	TUBO ENTRADA INLET PIPE	TUBO SALIDA OUTLET PIPE
UNO	PM.244	I.739	I.2826
TRIO PF	PM.247	I.2107 RIGHT/I.1080 LEFT	I.729 RIGHT/I.730 LEFT

