

SR 70F-U1  
SB 70F

SR70F-U1 (0643 057 1R10)  
SB70F (0643 057 0260)

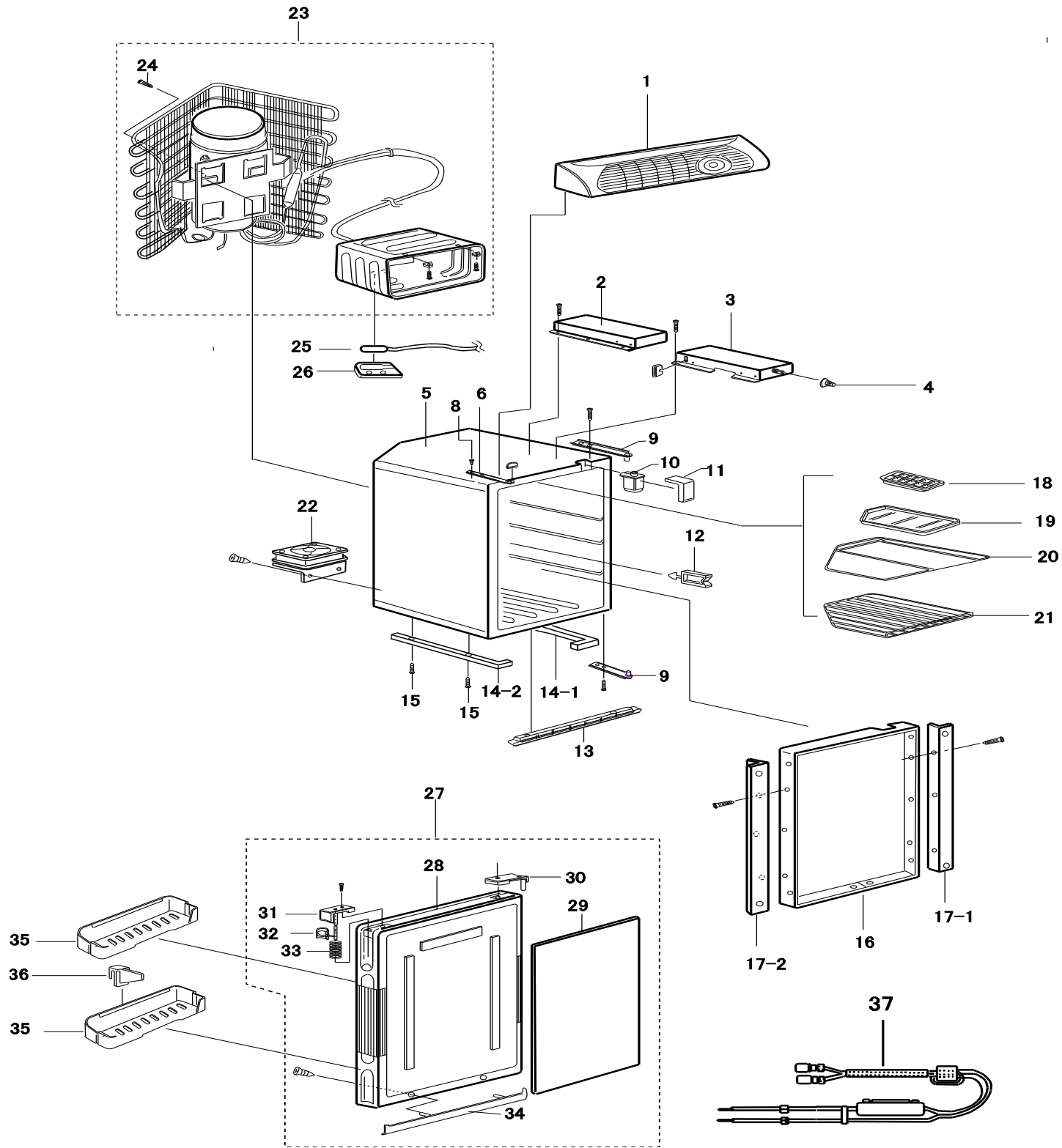


Illustration Number	Parts Number	Description	Quantity	
			SR70F-U1	SB70F
1	4225 110 00X9	Cover Control	1	1
2	1690 005 00X9	Converter Assembly	1	—
3	1630 107 02X9	Inverter Assembly	1	1
4	1602 201 00X9	Dial Assembly	1	1
5	1600 440 01X0	Cabinet Assembly	1	1
6	3002 064 10X0	Plate	1	1
8	5010 427 00X9	Bolt	6	6
9	1609 326 10X9	Hinge	2	2
10	4160 272 00X9	Rubber Bushing	1	1
11	4040 063 00X9	"I" Bushing	1	1
12	6451 094 00X0	Holder	1	1
13	4226 021 00X9	Frame.Cover	1	1
14-1	4274 010 00X9	Support	1	1
14-2	5274 011 00X9	Support	1	1
15	8080 043 1610	Screw	4	4
16	3223 764 01X9	Cover Frame	1	1
17-1	3230 098 41X9	Frame (R)	1	1
17-2	3230 098 31X9	Frame (L)	1	1
18	1602 030 00X9	Ice Cube Tray	1	1
19	4330 038 00X9	Drainage Pan	1	1
20	5230 035 10X9	Shelf	1	1
21	5230 035 00X9	Shelf	1	1
22	1609 289 00X9	Fan Assembly	1	1
23	1610 113 10X9	Cooling Unit	1	1
24	5000 136 00X0	Screw	4	4
25	6055 054 20X9	Evaporator Thermistor	1	1
26	4223 050 00X9	Thermistor Holder	1	1
27	1600 441 01X8	Door Assembly	1	1
28	1609 339 01X9	Frame Assembly	1	1
29	3023 133 00X9	"S" Plate	1	1
30	4221 113 00X9	Cover (R)	1	1
31	4221 112 00X9	Cover (L)	1	1
32	1602 221 11X9	Handle Assembly	1	1
33	5200 044 00X9	Spring	1	1
34	4226 021 00X9	Frame Cover	1	1
35	4225 088 10X9	Door Pocket	2	2
36	4225 086 10X9	Partition	1	1
37	1902 852 00X0	Coupler assy	1	1