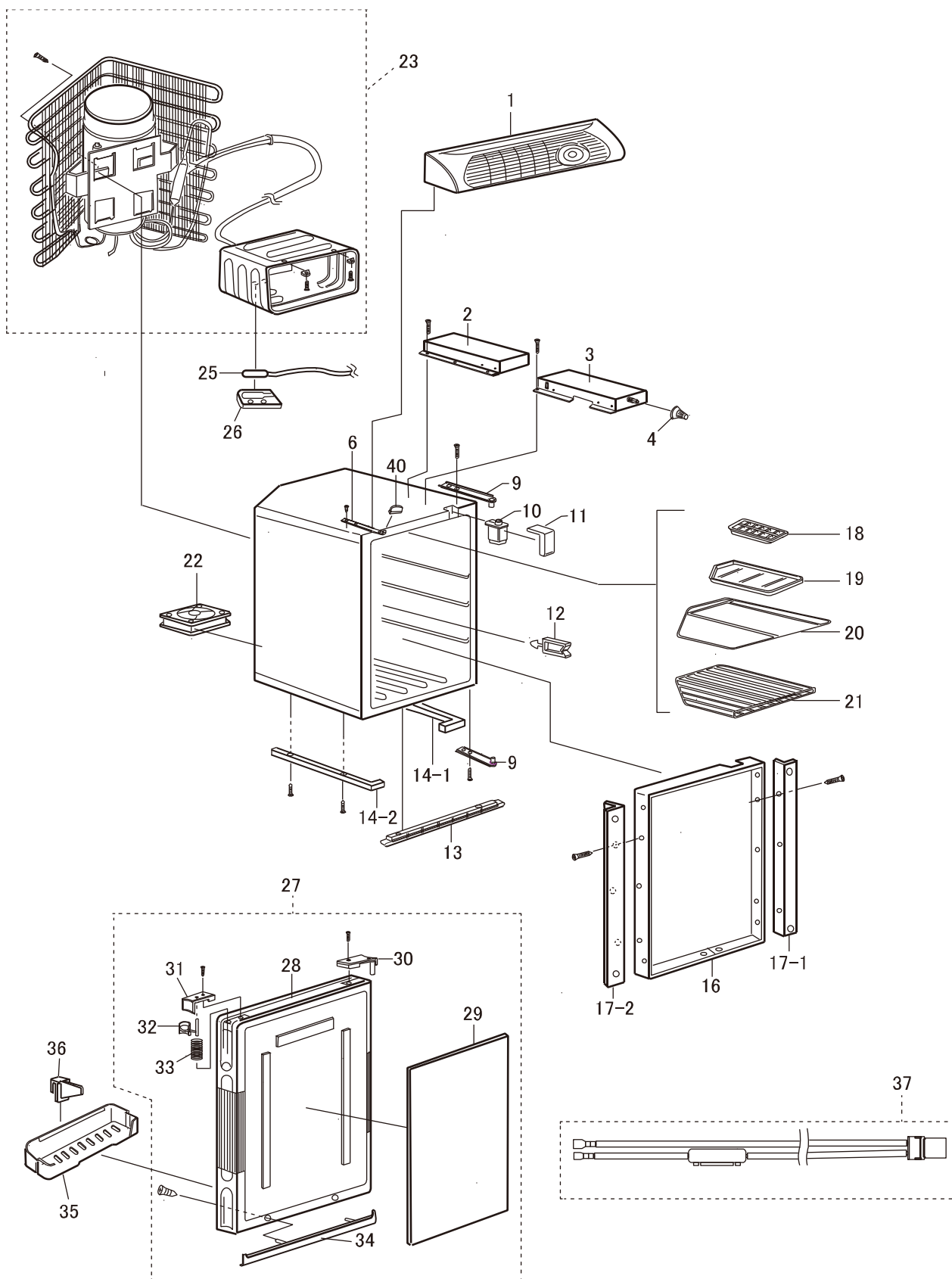


SR48F-U1 / SB47F-MK



QTY SECTION	MODEL	MODEL CODE	PRODUCTION PERIOD	UNIT TYPE	REMARKS
A	SR48F-U1	0643 040 1R11	2013.09-	K3	
B	SB47F-MK	0643 040 0290	2013.08-	K3	

ITEM NO.	DESCRIPTION	ITEM CODE	QTY					QTY included per item code	REMARKS
			Used per fridge						
			A	B	C	D	E		
1	FRONT GRILLE	4225 111 00X9	1	1				1	
2	CONVERTER	1690 005 00X9	1	-				1	
3	INVERTER (K3)	1630 107 03X9	1	1				1	
4	TEMP CONTROL DIAL	1602 201 00X9	1	1				5	
6	PLATE	3002 064 10X0	1	1				1	
9	HINGE	1609 326 10X9	2	2				1	
10	RUBBER BUSHING	4160 272 00X9	1	1				5	
11	"I" BUSHING	4040 063 00X9	1	1				10	
12	HOLDER	6451 094 00X9	2	2				2	
13	FRAME	4226 014 00X9	1	1				1	
14-1	SUPPORT	4274 011 00X9	1	1				1	
14-2	SUPPORT	4274 010 10X9	1	1				1	
16	COVER FRAME	3223 765 01X9	1	1				1	
17-1	FRAME	3230 098 20X9	1	1				1	
17-2	FRAME	3230 098 10X9	1	1				1	
18	ICE CUBE TRAY	1602 030 00X9	1	1				1	
19	DRAIN PAN	4330 038 10X9	1	1				5	
20	SHELF	5230 036 10X9	1	1				5	
21	SHELF	5230 036 00X9	1	1				5	
22	FAN ASSEMBLY	1609 289 00X9	1	1				1	
23	COOLING UNIT (K3)	1610 114 20X9	1	1				1	
25	EVAPORATOR THERMISTOR	6055 081 20X9	1	1				1	Order and replace the thermistor and holder as a set.
26	THERMISTOR HOLDER	4223 050 20X9	1	1				1	
27	DOOR ASSY	1600 444 01X9	1	1				1	
28	FRAME ASSY	1609 344 01X9	1	1				1	
29	S PLATE (black)	3023 134 00X9	1	1				1	
30	COVER (R)	4221 113 00X9	1	1				5	
31	COVER (L)	4221 112 00X9	1	1				5	
32	HANDLE ASSEMBLY	1602 221 11X9	1	1				2	TBA
33	SPRING	5200 044 00X9	1	1				5	
34	FRAME	4226 020 00X9	1	1				1	
35	DOOR POCKET	4225 087 10X9	1	1				5	
36	PARTITION	4225 086 10X9	1	1				5	
37	COUPLER ASSY	1902 825 10X0	-	1				1	