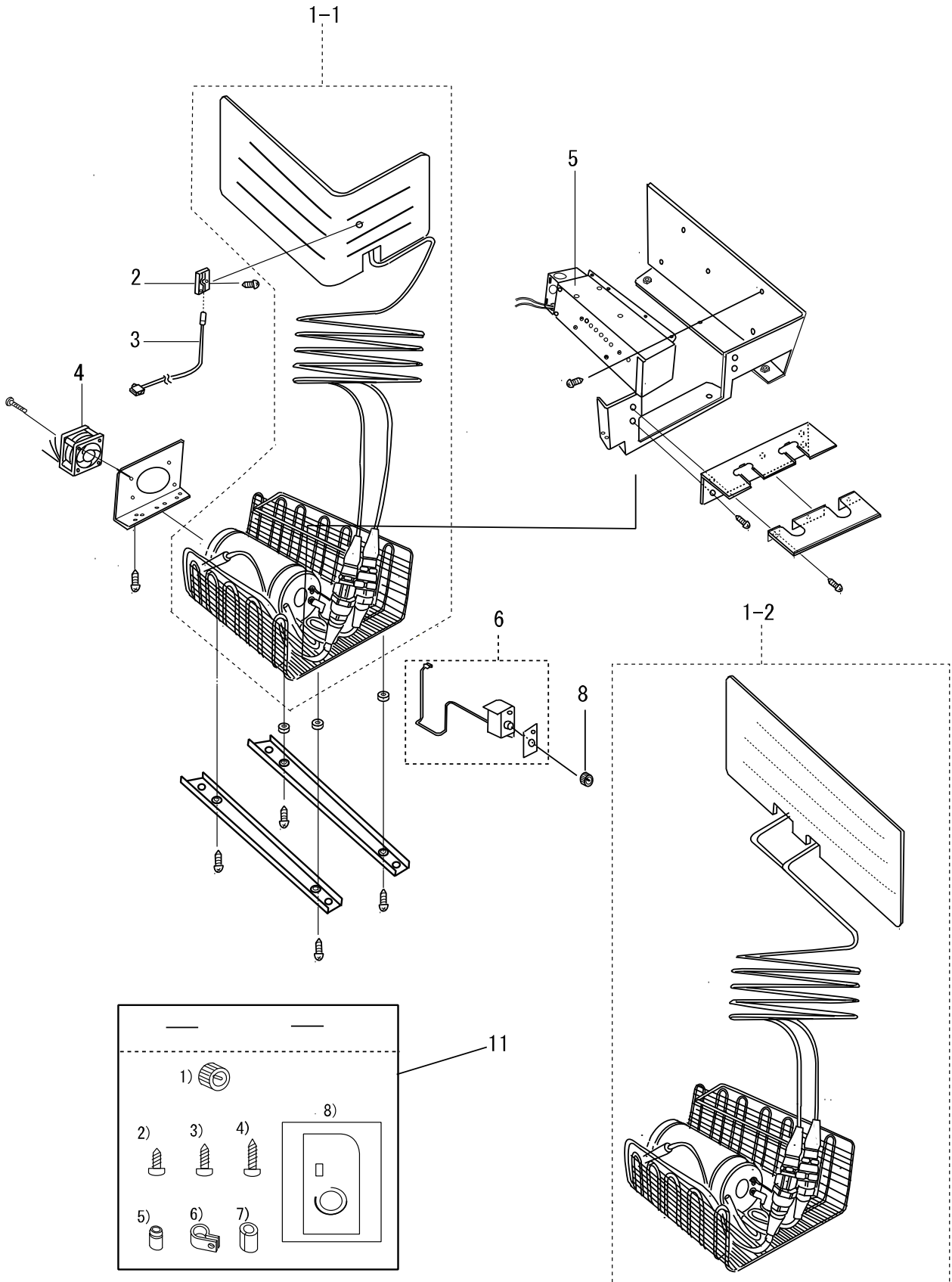


# SCQT-4408F-U1-L / SCQT-4408F-U1-I



QTY SECTION	MODEL	MODEL CODE	PRODUCTION PERIOD	UNIT TYPE	REMARKS
A	SCQT-4408F- U1-L	0650 040 5R20	2012.03 ~ 2020.12	N21	
B	SCQT-4408F- U1-I	0650 040 5R30	2012.03 ~ 2020.12	N21	

ITEM NO.	DESCRIPTION	ITEM CODE	QTY					QTY included per item code	REMARKS
			Used per fridge						
			A	B	C	D	E		
1-1	COOLING UNIT WITH EVAPORATOR	1610 147 00X9	1	-				1	
1-2		1610 147 10X9	-	1				1	
2	HOLDER	4223 050 20X9	1	1				1	Order and replace the thermistor and holder as a set.
3	THERMISTOR	6055 081 20X9	1	1				1	
4	FAN MOTOR	1609 289 00X9	1	1				1	
5	POWER SUPPLY	1601 217 20X9	1	1				1	
6	CONTROL ASSY	1601 182 40X9	1	1				1	MARK include
8	DIAL ASSY	1602 067 00X8	1	1				5	
※11	ENCLOSE ASSY	1608 008 30X9	1set	1set				1 SET	

2021.02#0

※11 : Enclose assy component parts								
ITEM NO.	Item Name	QTY.					QTY included per item code	
		A	B					
1)	DIAL	1	1				1	
2)	TAPPING SCREW	6	5				6	
3)	TAPPING SCREW	6	5				6	
4)	TAPPING SCREW	6	5				6	
5)	FASTENER	6	5				6	
6)	HOLDER	4	4				4	
7)	CUSHION	4	4				4	
8)	MARK	1	1				1	