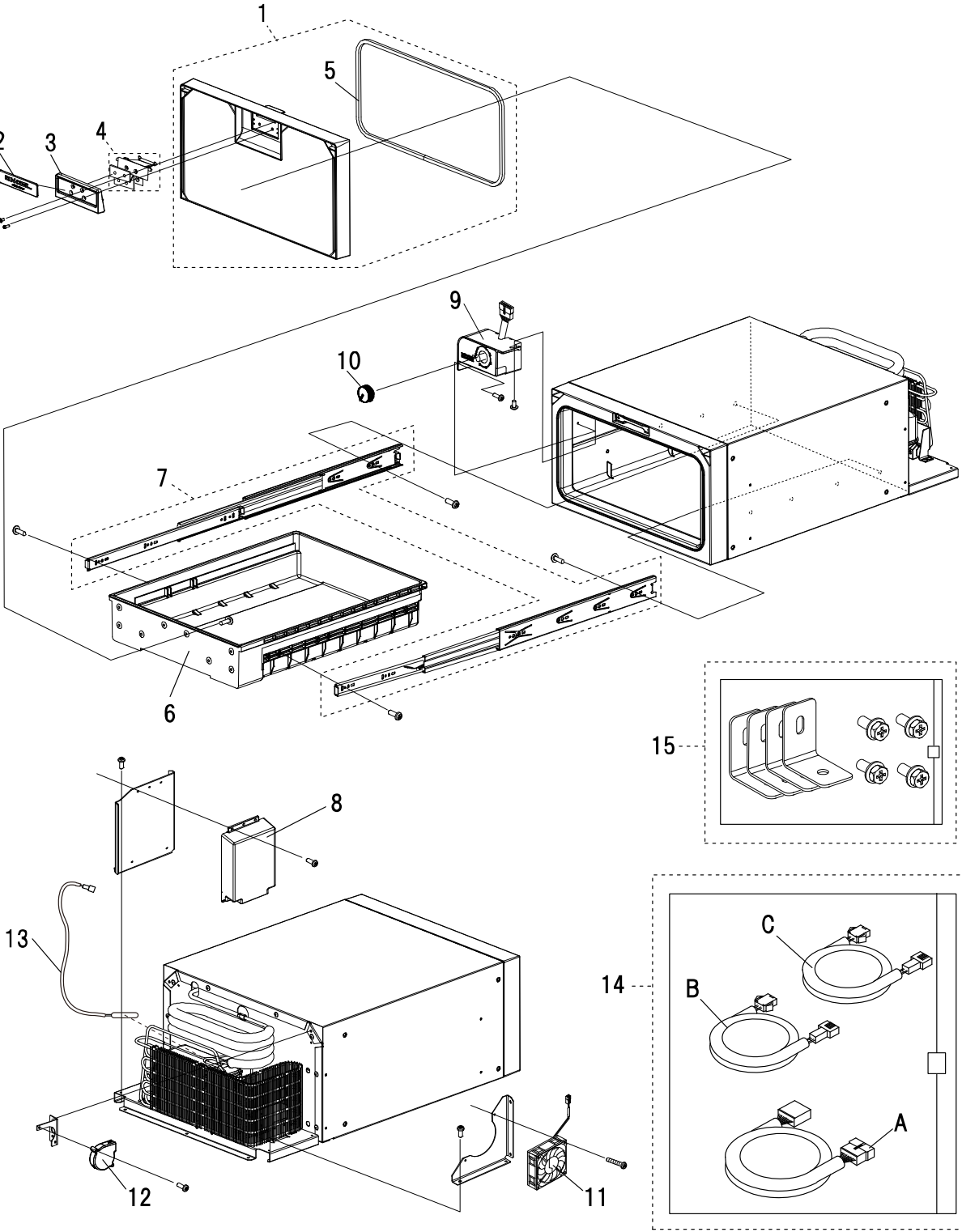


SB30G-U1



QTY SECTION	MODEL	MODEL CODE	PRODUCTION PERIOD		REMARKS
A	SB30G-U1	0643 030 1230	2019.1 ~ 2020.12		
B					
C					

ITEM NO.	DESCRIPTION	ITEM CODE	QTY			QTY included per item code	REMARKS
			Used per fridge				
			A	B	C		
1	DOOR ASSY	1609 520 00X6	1			1	
2	MARK (ENGEL)	5450 821 00X9	1			5	
3	HANDLE (Door Latch)	4225 163 00X9	1			1	
4	LATCH ASSY (Door Latch)	1609 521 00X9	1			1	
5	PACKING (Door)	4141 309 10X9	1			1	
6	CASE (Tray)	4225 162 00X9	1			1	
7	SLIDE RAIL	6269 031 00X9	2			1 SET	
8	POWER SUPPLY (RC40)	1601 214 30X9	1			1	
9	CONTROL ASSY	1601 219 00X9	1			1	Mark included
10	DIAL ASSY	1602 067 20X9	1			5	
11	FAN MOTOR ASSY (Cooling Fan)	1609 289 20X9	1			1	
12	FAN MOTOR (Blower Fan)	6080 031 11X9	1			1	
13	THERMISTOR (Ambient Temperature)	6055 075 00X9	1			1	
14	CORD SET 1A - Coupler Assy 7P (For Controller) 1B - Coupler Assy 3P (For Thermistor) 1C - Coupler Assy 2P (For Fan Motor)	1699 023 00X0	Opt			1 SET	
15	L PLATE (Cabinet)	3220 761 00X9	1			1 SET	

2021.02#0

※1 It becomes product exchange when a cooling system breaks down.

The component parts of a cooling system are a cooling unit, a thermo sensitive register, and a cabinet.