

ENGEL

DC REFRIGERATOR OWNER'S MANUAL

MODEL

SB30F-N-U

 SAWAFUJI SAWAFUJI ELECTRIC CO.,LTD.

Thank you for purchasing an ENGEL refrigerator. Read this manual carefully before starting to use it. Keep this manual in a safe place for future reference. If the product is resold, this operating manual must accompany it.

CONTENTS

1. Explanation of symbols	3
2. Safety instructions	3
3. Intended use	10
4. Controller and display.....	10
5. Installation and ventilation	11
6. Operation	13
6.1 Connection to 12V or 24V DC battery.....	13
6.1.1 Onboard direct wiring.....	13
6.1.2 Wiring diagram of dual battery hookup.....	15
7. Maintenance of refrigerator	16
7.1 Cleaning interior and door.....	16
7.2 Defrosting	16
8. Tilt protection	17
9. Trouble shooting	17
10. Disposal	18
11. Warranty	18
12. Before initial use	19
12.1 Relocating the compressor unit	19
13. Bundled parts	20
14. Technical data	20
<APPENDIX>	21
Service agent	23

State of California Proposition 65 Warnings

WARNING





This product can expose you to chemicals including BUTADIENE, which is known to the State of California to cause cancer and birth defects or other reproductive harm.

For more information go to www.P65Warnings.ca.gov.



1. Explanation of symbols

The following symbols are used in this OWNER'S MANUAL or on the refrigerator.

 WARNING	Failure to observe this instruction can cause fatal or serious injury.
 CAUTION	Failure to observe this instruction can lead to injury.
 NOTICE	Failure to observe this instruction can cause material damage and impair the function of the product.
 WARNING	Risk of fire insulation blowing gas. (CYCLOPENTANE)

2. Safety instructions

Read this manual carefully before starting to use the refrigerator. These instructions are safety measures for preventing accidents.

WARNING

- This refrigerator can be used by children age 8 and above and persons with reduced physical, sensory or mental capabilities or lack of experience and knowledge if they have been given supervision or instruction concerning the use of the refrigerator in a safe way and understand the hazards involved.
- Children shall not play with the refrigerator. Always keep and use the refrigerator out of the reach of children.

- Cleaning and user maintenance shall not be made by children without supervision.
- Do not store explosive substances such as aerosol cans with a flammable propellant in this refrigerator.
- Never expose the refrigerator to rain.
- Do not put a water-filled container. Water if spilled will degrade the insulation of electric components and may lead to a fire from electric leak.
- If the cable is damaged, it must be replaced to prevent the possibility of electric shock. It must be replaced with a new cord (ENGEL genuine products).
- Never disassemble the refrigerator by yourself. Inadequate repairs may lead to considerable hazards.
- Do not touch the inside and other metal parts of the cabinet with wet hands, as this may cause frostbite.
- Do not contact metal part with positive terminal of battery.
- Cyclopentane is used as in the insulation. The gases in insulation material require a special disposal procedure with the applicable disposal regulations.
- Use the DC cord originally accompanying the refrigerator when operating it on DC. Failing to do so may lead to a fire due to overheat.
- When replacing a fuse equipped inside the fuse holder of DC cord, always use the same rated fuse for replacement. Never use a wire or a lead instead. Doing so may lead to a fire from overheat.
- This refrigerator runs on DC such as battery. Do not attempt to run it on any voltage above the specified voltage, nor use it

with any power source not specified here. Failing to comply will result in product failure or lead to a fire.

- Do not attempt to hang on the refrigerator door. Do not sit on the refrigerator while the door is open. Doing so may lead to injuries due to tumbled refrigerator or the fingers being caught in the door.
- Do not put heavy objects on the refrigerator. Doing so may lead to injury from falling objects when the door opens.
- Be sure that no part of the refrigerator body is pushing its power cable to bend it hard. The cable, when bent hard, may get damaged and lead to overheat and a fire.
- Avoid using flammable sprays near the refrigerator. The electric contacts may catch a fire.
- When using the refrigerator in a trunk of the car, keep adequate ventilation. Failing to do so may overheat and damage the refrigerator and possibly lead to a fire.
- Do not store objects that require precise temperature control such as medicine and scientific specimens. This refrigerator is not suited to store such types of objects.
- When there is a leak of utility gas around you, do not touch the refrigerator or its cable plug. Open the windows and maintain good ventilation. Failing to do so may lead to a fire and/or a burn from explosion.
- When operating on a floor, securely fix the refrigerator so that it would not fall and cause injuries when encountering vibration such as earth quake.
- While the refrigerator is in operation, do not use a quick charger to charge the battery that is supplying power to the refrigerator. The high voltages generated from the charger

may damage the refrigerator and lead to a fire.

- Do not use the refrigerator near a heated object or gas equipment. Doing so not only reduces cooling performance but would cause a fire when leakage of the utility gas.
- Do not use the refrigerator if its power cable is damaged or the catch of its plug is loose. Failing to comply may lead to an electric shock or short or fire.
- Do not damage or modify or bend hard or pull or twist or bundle the power cable. Do not have the power cable caught under or pinched with heavy objects. Doing so may damage the cable and possibly lead to a fire or electric shock.



CAUTION

- Disconnect the refrigerator from the DC before cleaning and servicing it as well as after each use.
- Be careful not to drop the refrigerator when carrying it. The refrigerator will be damaged if dropped and may also lead to injuries of yourself.
- Do not put fingers between the lid and body of the refrigerator. Doing so may lead to injuries when the door closes.
- Do not put living things such as pets in the refrigerator.
- Do not attempt to open or close the refrigerator door while driving a car. It may lead to an accident due to distracted driving.
- This refrigerator is suitable for cooling food. If you wish to cool medicines, check if the cooling capacity of the refrigerator is enough.

- Never use a battery charger or transformer or rectifier or battery eliminator or AC/DC converter to power the refrigerator. Doing so may damage the refrigerator.
- Never connect the refrigerator directly to an engine generator set. Doing so will lead to poor cooling and may also damage the refrigerator due to the high voltages and surge pulse from the generator set. Utilize an automatic voltage regulator for the refrigerator. Contact your ENGEL dealer if there is any question regarding the use of engine generator set to power the refrigerator.
- Do not overstuff the refrigerator. Doing so reduces cooling performance and may spoil the stored food.
- L plates and bolts accompanying the refrigerator shall be securely fixed to the refrigerator. Poor installation may lead unexpectedly dropping the refrigerator during transportation, which may result in damage to or failure of the refrigerator and possible cause of injuries.
- Do not put a bagged cold pack whose inner material is leaking. Some of off-the-shelf bagged ice packs contain a type of chemical that corrodes the metal parts of the refrigerator. If such chemical is spilled in the refrigerator interior, wipe it off with a wet, soft cloth and wipe off again with a dry cloth.
- It is recommended to turn off the refrigerator when the vehicle engine is shut off so as to keep the battery from running out.
- Take extra caution when transporting the refrigerator.

NOTICE

- If the voltage at the DC input terminals of the refrigerator falls below 11V, cooling performance will immediately decrease. Always keep the battery in good condition to ensure it is fully charged.
- Fix the refrigerator firmly to the interior of the vehicle. Failing to do so may lead to injuries from a falling or moving fridge during abrupt acceleration and braking.
- Never use this refrigerator inside a refrigerated compartment of a refrigeration truck, where condensation easily occurs and water would drip onto the refrigerator and damage it.
- Do not put glass bottles in the refrigerator. That would result in breakage of bottles due to external shock or vibration.
- Do not set the temperature setting knob at “5” except when storing frozen products such as frozen food and ice. Doing so may result not only in beverages being undrinkable but explosion of cans and possible injuries.
- Do not use a knife, a driver or any sharp object to remove frost from the refrigerator.
- Do not pour water in the refrigerator. Doing so will result in failure from water ingress into the insulation material or mechanical and electrical components. If water collects in the cabinet, wipe it off with a soft cloth.
- The refrigerator needs an adequate ventilation for optimized cooling performance. Please set necessary ventilation opening according to installation instructions.
- Food shall be kept in its original package or put in other suitable container when stored in the refrigerator. It is recommended to pack watery food or products with excessive

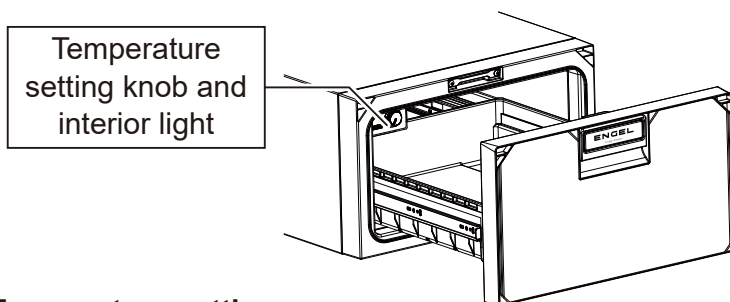
fragrance when putting in the refrigerator.

- Overstuffing the refrigerator will result in insufficient cooling from poor circulation of cool air and may spoil the stored foods. Keep some spaces between the foods.
- Hot or warm food such as boiled product shall be stored after it gets cool enough.
- Pre-cool the food and drinks before putting into the refrigerator. This refrigerator is not capable of cooling food and drink in a short time. It is also recommended to pre-cool inside the refrigerator cabinet before putting in any food.
- When the refrigerator is in operation, do not touch food or its containers, especially those made of metal, stored there with a wet hand. Doing so may lead to frostbite or other injury.

3. Intended use

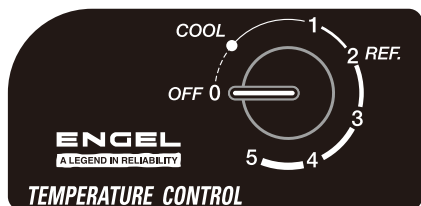
- The refrigerator is suitable for use in cars, boats, caravans or RVs and is designed to operate an angle of less than 30° off level.

4. Controller and display



■ Temperature setting

Turn the temperature setting knob to change the air temperature inside the refrigerator.



Dial setting position	Inside temperature*
0	OFF (Stop)
1	Approx. 8°C
3	Approx. -2°C
5	Approx. -8°C

* At an ambient temperature of 30°C with the free-standing refrigerator door closed.

5. Installation and Ventilation

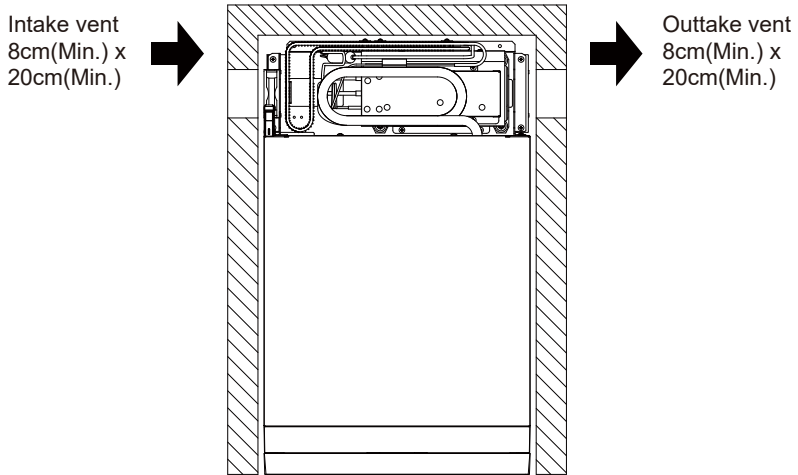
Installation

- 1) Make sure the refrigerator is fitted horizontally. When installing in the Vehicle, make sure the refrigerator is not fitted to an unstable position.
- 2) Make sure to install the refrigerator where air flow is available. If the cooling unit air flow is contaminated, the cooling system will be degraded.
- 3) Avoid direct Sunlight, heat from a stove, or anything related to heat. If you install the refrigerator near a gas stove, a heater, or any other heat generating appliances, or place in direct sunlight, the cooling performance will be affected. And there is a risk of discoloration or deformation.
- 4) Avoid installing the refrigerator close to a kitchen sink or water faucet. If installed in locations subject to water the electrical circuits and other parts may be affected.
- 5) To achieve good cooling performance and less current consumption, adequate ventilation for the refrigerator is needed.
 - a) In the drawing below (Fig.1) :
the ventilation air will flow in the direction of the arrow.
 - b) Make sure NOT to block the intake vent and outtake vent of the compressor unit.
 - c) Recommended vent size :
vertical length of 20cm and side length of 8cm.
If blocked, the cooling performance will be affected. And there is a risk of the failure of the cooling system.

Ventilation

CAUTION

Failing to keep enough ventilation for cooling will result in reduced product life, poor cooling performance, and excessive current draw from the battery and will also invalidate the warranty. Please never block up the vent. Refer to the picture below to find the correct ventilation. (See Fig. 1)



(Fig.1)

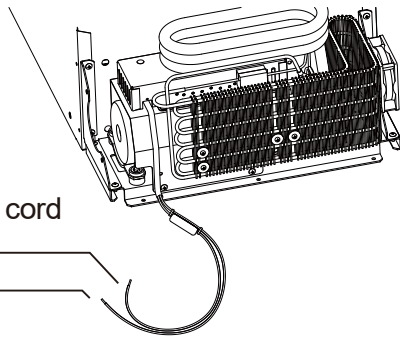
6. Operation

Connect only to the following power sources :
12V or 24V DC battery

DC 12/24 V input cord

+: Red Cord

-: Black Cord



! NOTICE

Before starting to use your new refrigerator, its interior as well as exterior shall be thoroughly cleaned with a wet cloth to avoid hygienic issue.

6.1 Connection to 12V or 24V DC battery

This refrigerator can operate on both 12V and 24V DC. Make sure the battery voltage matches with the voltage stated on the refrigerator label. If the battery voltage is too high it will damage the refrigerator.

First, set the temperature setting knob to "0" (OFF). Then, set it anywhere between 1 and 5, and the LED interior light will go on. Turn the temperature setting knob to a required setting.

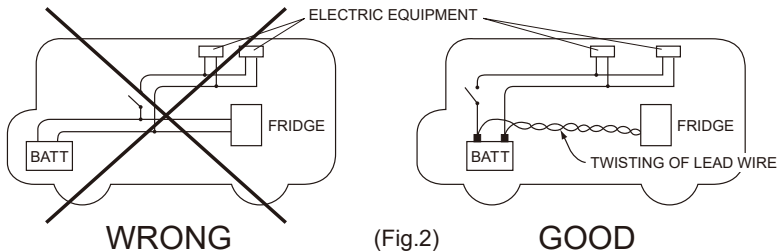
6.1.1 Onboard direct wiring

1) Twisting lead wire

To further reduce the radio interference during DC operation, twist the negative and positive cables (use separate cables) together into a spiral form, between the battery.

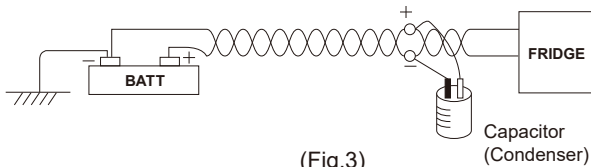
2) Connecting refrigerator directly to battery

Any switches and lead wires for other electrical equipment should not be shared with the wiring between the refrigerator and the battery. Other equipment can generate high voltage pulses which may cause transistor damage to the refrigerator power supply. (See Fig. 2)



(Fig.2)

3) To prevent radio noise and avoid absorbing high surge frequency, insert a capacitor of 10000 μ -F as shown in (Fig. 3) below.



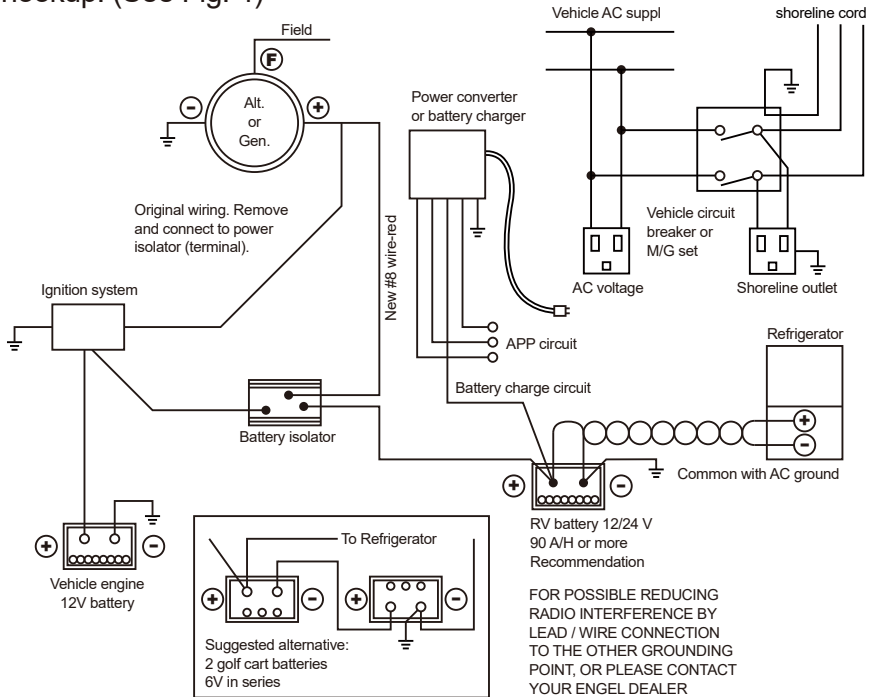
(Fig.3)

4) Selecting the correct gauge for wiring is important to avoid voltage drop. Follow the chart below when wiring the refrigerator to the battery.

Distance between product and battery	Wire Gauge	
	DC 12 VOLT USE	DC 24 VOLT USE
Less than 6m (19ft.)	SWG#16 (AWG#14) / 2.1mm ² or more	SWG#18 (AWG#16) / 1.25mm ² or more
From 6m (19ft.) to 10m (32ft.)	SWG#14 (AWG#12) / 3.3mm ² or more	SWG#16 (AWG#14) / 2.1mm ² or more
More than 10m (32ft.) (Not recommended, too long)	SWG#12 (AWG#10) / 5.3mm ² or more	SWG#14 (AWG#12) / 3.3mm ² or more

6.1.2 Wiring diagram of dual battery hookup

The wiring diagram shown below is recommended for dual battery hookup. (See Fig. 4)



(Fig.4)



CAUTION

To avoid damage to the refrigerator in the event of reverse polarity or short circuit, install a 10A fuse (12V DC) or a 10A fuse (24V DC) in the wiring circuit nearer to the battery.

Battery protection

This refrigerator is equipped with a battery monitor cutting the compressor in or out in order to protect the battery.

Cut out Voltage 12V	9.6V
Cut in Voltage 12V	11.5V
Cut out Voltage 24V	20.4V
Cut in Voltage 24V	23.1V

7. Maintenance of refrigerator

7.1 Cleaning interior and door

Always disconnect the refrigerator from the power source before you clean or service it.

- Clean the interior with a cloth moistened with warm water and wipe again with a dry cloth.
- Clean the door of the refrigerator with a wet cloth.
- Clean the interior condenser to remove dirt (dust etc.) at regular intervals.

ⓘ NOTICE

Never use a brush, powder soap, cleanser, acid, benzene, gasoline, or mineral thinners to clean the refrigerator, as these tend to leave scratches on the plastic coating and painting.

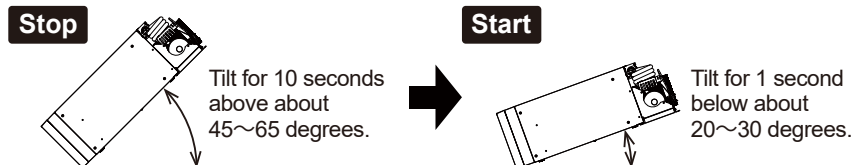
7.2 Defrosting

Due to the humidity within the cabinet, frost will form on the evaporator surface after it has been used for a while.

Frost with as thick as 6mm or more (1/4in) will reduce cooling efficiency. To avoid this, the evaporator needs to be defrosted regularly. To defrost, turn off and unplug the refrigerator to allow for complete removal of frost from the evaporator.

8. Tilt protection

This refrigerator senses the tilt and stops.



※ Tilt protection still works when tilted in all directions. Operating angle changes depending on the tilt speed.

9. Trouble shooting

Fault	Possible cause	Action
Compressor not working	No power supplied. Battery in poor condition.	Check if power is supplied to electronic unit.
	Faulty electronic unit.	Check fuse.
	Electronic unit failure.	Check polarity of connectors and cables.
	Tilt protection.	Check refrigerator is horizontal.
Interior not cold	Ambient temperature too high. Insufficient ventilation.	Keep refrigerator sufficiently ventilated.
	Frost on evaporator	Defrost evaporator. (see 7.2 Defrosting)
	Condenser clogged	Clean condenser.

If the problem still persists after going through the chart above, consult an ENGEL service agent near you. Never disassemble the refrigerator by yourself. Inadequate repairs can lead to considerable hazards.

10. Disposal

WARNING

- To prevent the risk of child entrapment inside the refrigerator, do the following before discarding it:
 - Remove the door from the refrigerator.
- This refrigerator is marked with the symbol shown below, meaning the refrigerator should not be mixed with household waste when being disposed of.



If you wish to dispose of this refrigerator, contact your local authorities and ask for the correct method of disposal, or specialist dealer for details about how to do this in accordance with the applicable disposal regulations.

Cyclopentane is used in the insulation, which requires a special disposal procedure. Contact your local authorities to find the environmentally safe disposal of the refrigerator.

11. Warranty

The statutory warranty period applies.

If the refrigerator is found to be defective, contact either of the agents whose contact information is found on page 23 of this manual or an ENGEL dealer near your location.

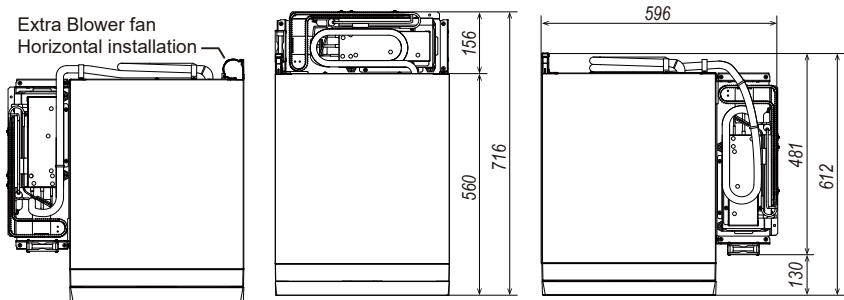
For repair and warranty processing, have the following documents accompany the refrigerator

- A copy of the receipt with purchasing date
- Reason for the claim and/or description of the failure

12. Before initial use

12.1 Relocating the compressor unit

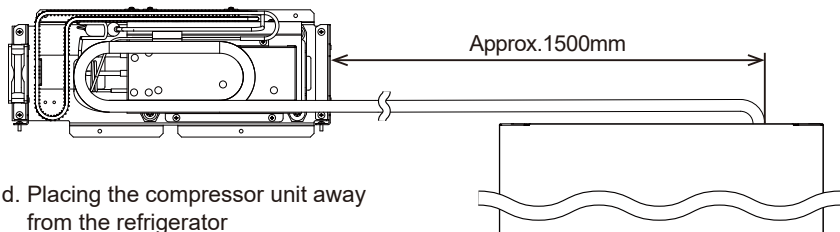
This refrigerator's compressor unit can be located, to 4 different locations.



a. Compressor unit located on the left side

b. Compressor unit located on the end

c. Compressor unit located on the right side

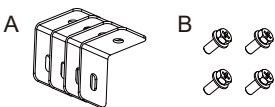


d. Placing the compressor unit away from the refrigerator

CAUTION

Relocating or remote mounting the compressor **MUST** be done by a company qualified and authorised by Engel. Modifications made by a person not qualified will void the manufacturer's warranty.

13. Bundled parts

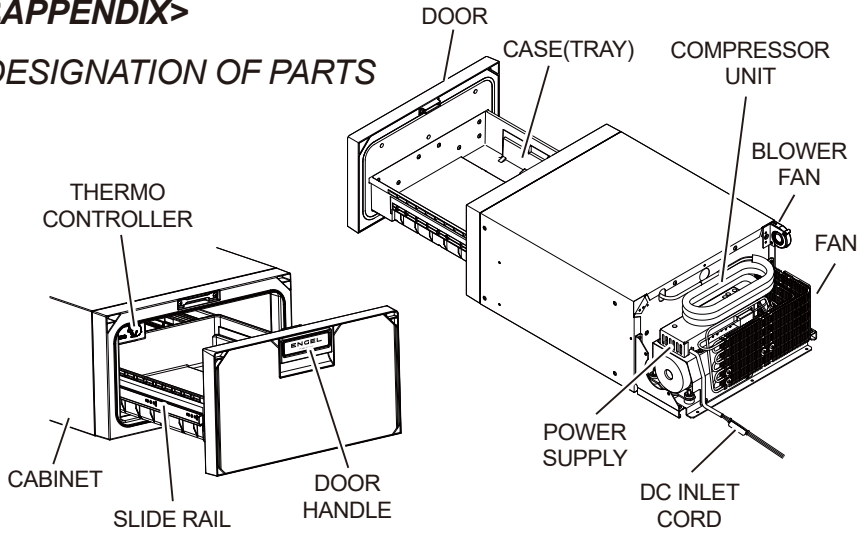
A	L Plate (for anchoring refrigerator)	4 pcs	
B	Hexagon bolt (for anchoring refrigerator)	4 pcs	

14. Technical data

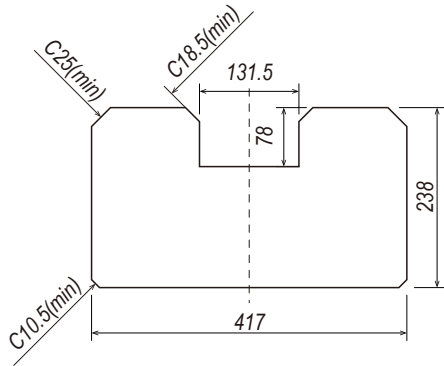
MODEL	SB30F-N-U
Input voltage:	12/24V \equiv
Rated current:	12V \equiv :3.4A 24V \equiv :1.7A
Cooling capacity:	+8°C to -8°C
Gross volume:	30 L
Climate class:	T (+16°C~+43°C)
Refrigerant:	HFC-134a
Insulation blowing gas:	Cyclopentane
Sound level:	39dB(A)
Dimensions WxDxH(mm):	440 x 716 x 250
Weight:	21.5 kg

<APPENDIX>

DESIGNATION OF PARTS

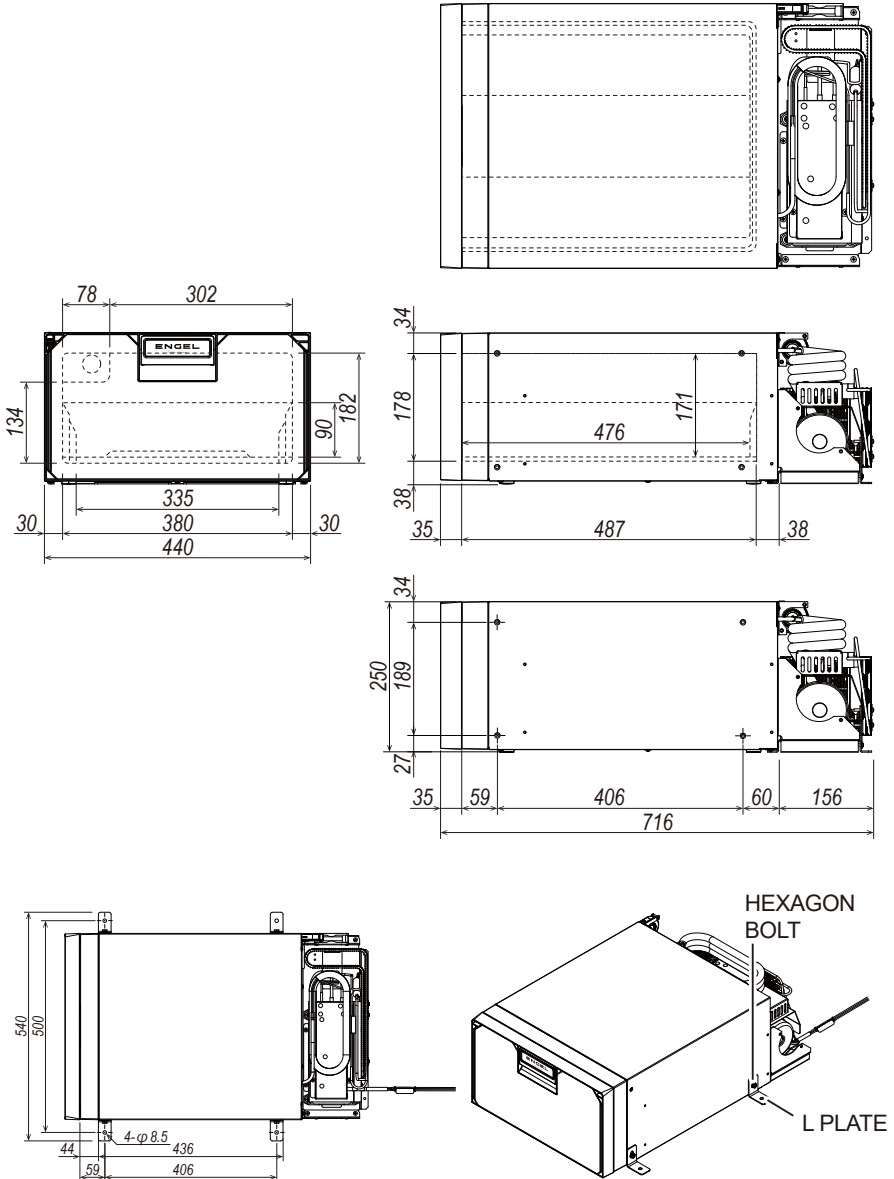


To customize the drawer front please use these measurements to cut your panel or sticker for best fit.



REFRIGERATOR DIMENSIONS

The figure below is reference dimensions.



Service agent

< USA >

Engel USA

900 Jupiter Park Drive
Jupiter, Florida 33458, USA

Tel : +1 561 743 7419

www.engel-usa.com



SAWAFUJI ELECTRIC CO.,LTD.

3, NITTAHAYAKAWA-CHO, OTA-CITY,
GUNMA 370-0344, JAPAN

TEL: +81(0)276-56-7139

FAX: +81(0)276-56-6075

(Cat. No. 5490 421 2000)

SB Serise 2021

ENGEL

LE MANUEL DE PROPRIÉTAIRE DE RÉFRIGÉRATEUR

FR

Séries SB

SB30F-N-U

 SAWAFUJI SAWAFUJI ELECTRIC CO.,LTD.

Nous vous remercions d'avoir acheté un réfrigérateur ENGEL. Veuillez lire attentivement ce manuel avant toute utilisation. Conservez-le dans un endroit sûr pour référence ultérieure. Dans le cas où le produit serait revendu, ce manuel d'utilisation doit l'accompagner.

Table des matières

1. Explication des symbols	3
2. Consignes de sécurité.....	3
3. Usage prévu	11
4. Contrôles et affichage	11
5. Installation et Aération.....	12
6. Fonctionnement	14
6.1 Raccordement à la batterie CC 12 V ou 24 V.....	14
6.1.1 Raccordement direct embarqué.....	14
6.1.2 Schéma de câblage du branchement à batterie double	16
7. Entretien du réfrigérateur	17
7.1 Nettoyage de l'intérieur et de la porte	17
7.2 Dégivrage.....	17
8. Protection contre l'inclinaison	17
9. Résolution des problèmes	18
10. Élimination	18
11. Garantie.....	19
12. Avant la première utilisation.....	19
12.1 Déplacement du compresseur	19
13. Pièces jointes	20
14. Informations techniques	20
〈ANNEXE〉	21
Agent de service	23

États de Californie Proposition 65 Avertissements

AVERTISSEMENT


Ce produit peut vous exposer à des agents chimiques, y compris BUTADIÉNE, identifiés par l'État de Californie comme pouvant causer le cancer et des malformations congénitales ou autres troubles de l'appareil reproducteur.

Pour de plus amples informations, prière de consulter www.P65Warnings.ca.gov.



1. Explication des symboles

Les symboles suivants sont utilisés dans ce MANUEL DU PROPRIÉTAIRE ou sur le réfrigérateur.

 AVERTISSEMENT	Ne pas respecter cette instruction peut entraîner des blessures graves voire fatales.
 MISE EN GARDE	Ne pas respecter cette instruction peut entraîner des blessures.
 NOTE	Ne pas respecter cette instruction peut endommager le produit et nuire à son bon fonctionnement.
 AVERTISSEMENT	Risque d'incendie isolation soufflage de gaz. (CYCLOPENTANE)

2. Consignes de sécurité

Veillez lire attentivement ce manuel avant d'utiliser le réfrigérateur. Les instructions qu'il contient sont des mesures de sécurité destinées à prévenir les accidents.

AVERTISSEMENT

- Ce réfrigérateur peut être utilisé par des enfants de 8 ans et plus ainsi que par des personnes souffrant de capacités physiques, sensorielles ou mentales réduites, ou manquant d'ex-

périence et de connaissances, à condition qu'ils soient supervisés ou aient reçu des instructions relatives à son usage en toute sécurité et qu'ils comprennent les risques encourus.

- Ne laissez pas les enfants jouer avec le réfrigérateur. Utilisez et conservez toujours le réfrigérateur hors de la portée des enfants.
- Le nettoyage et l'entretien régulier ne doivent pas être effectués par des enfants sans surveillance.
- Ne stockez pas de substances explosives dans ce réfrigérateur, telles que des aérosols utilisant des gaz pulseurs inflammables.
- N'exposez jamais le réfrigérateur à la pluie.
- Ne placez pas de récipients d'eau sur l'appareil. Si renversée, l'eau pourrait dégrader l'isolation des composants électriques et provoquer un incendie en raison des décharges électriques.
- Si le câble est endommagé, il doit être remplacé afin d'éviter un risque d'électrocution. Il doit être remplacé par un cordon neuf (produits ENGEL authentiques).
- Ne démontez jamais le réfrigérateur vous-même. Des réparations inadaptées peuvent engendrer des risques considérables.
- Pour éviter que le câblage entre la batterie et le réfrigérateur ne brûle en cas de court-circuit, installez un fusible de 15A (CC12V) ou 10A (CC24V) dans le circuit d'alimentation, à proximité de la batterie.
- Ne touchez pas l'intérieur ou d'autres parties métalliques de l'enceinte avec des mains humides, afin d'éviter les gelures.
- Ne mettez pas en contact les parties métalliques avec la

borne positive d'une batterie.

- Du cyclopentane est utilisé comme isolant. Les gaz du matériau isolant exigent une procédure d'élimination spécifique, en accord avec la réglementation applicable en matière de traitement des déchets.
- Utilisez le cordon d'alimentation CC d'origine fourni avec le réfrigérateur en cas de fonctionnement en CC. Ne pas le faire peut provoquer un incendie dû à une surchauffe.
- Lors du remplacement du fusible installé à l'intérieur du porte-fusibles du cordon d'alimentation CC, utilisez toujours un fusible exclusif Engel. N'utilisez jamais un fil électrique ou un plomb. Ceci pourrait entraîner un incendie dû à une surchauffe.
- Ce réfrigérateur peut fonctionner en CC (comme sur une batterie). Ne tentez pas de le faire fonctionner sur une tension supérieure à celle spécifiée, ni sur une tension autre que celles spécifiées dans ce manuel. Ne pas respecter cette consigne peut entraîner la panne du produit, voire un risque d'incendie.
- N'essayez pas de vous suspendre à la porte du réfrigérateur. Ne vous asseyez pas sur le réfrigérateur lorsque la porte est ouverte. Ceci pourrait provoquer des blessures en cas de chute du réfrigérateur ou de doigts coincés dans la porte.
- Ne posez pas d'objets lourds sur le réfrigérateur. Ceci pourrait provoquer des blessures en cas de chutes de ces objets lors de l'ouverture de la porte.
- Assurez-vous qu'aucune partie du corps du réfrigérateur ne fait pression sur le cordon d'alimentation au point de le tordre. En cas de torsion importante, le cordon peut être endommagé au point de surchauffer et de s'embraser.

- Évitez d'utiliser des aérosols inflammables à proximité du réfrigérateur. Les contacts électriques pourraient déclencher un incendie.
- Lorsque le réfrigérateur est utilisé dans un coffre de voiture, assurez une aération adéquate. Dans le cas contraire, le réfrigérateur risque de surchauffer, d'être endommagé et même de s'enflammer.
- N'utilisez pas le réfrigérateur pour conserver des objets exigeant un contrôle précis de la température, tels que des médicaments ou des spécimens scientifiques. Ce réfrigérateur n'est pas adapté au stockage des objets de ce type.
- En cas de fuite de gaz autour de vous, ne touchez ni le réfrigérateur ni son cordon d'alimentation. Ouvrez les fenêtres et aérez bien. Ne pas suivre ces instructions pourrait provoquer un incendie ou des brûlures dues à une explosion.
- Lorsqu'il est placé sur une étagère, fixez le réfrigérateur bien en place de façon à ce qu'il ne chute pas en cas de vibrations telles que lors d'un tremblement de terre et ne provoque pas de blessure.
- Lorsque le réfrigérateur est en cours de fonctionnement, n'utilisez pas de chargeur rapide pour recharger la batterie qui l'alimente. Les hautes tensions générées par le chargeur pourraient endommager le réfrigérateur et entraîner un incendie.
- Veillez à ne pas endommager, modifier, tordre, tirer, enrouler ou replier le câble d'alimentation. Ne coincez pas et ne pincez pas le câble d'alimentation sous des objets lourds. Ceci pourrait endommager le câble et provoquer un incendie ou une électrocution.
- N'utilisez pas le réfrigérateur si le câble d'alimentation est endommagé ou si sa prise est lâche. Ne pas suivre ces instruc-

tions pourrait entraîner une électrocution, un court-circuit ou un incendie.

- N'utilisez pas le réfrigérateur à proximité d'objets chauffés ou d'un équipement au gaz. Dans le cas contraire, non seulement ses capacités de refroidissement seraient réduites, mais il y aurait un risque d'incendie en cas de fuite de l'équipement au gaz.



MISE EN GARDE

- Débranchez le réfrigérateur de l'alimentation CC avant de le nettoyer ou procéder à son entretien, ainsi qu'après chaque utilisation.
- Veillez à ne pas faire tomber le réfrigérateur lors du transport. Le réfrigérateur pourrait vous blesser et serait endommagé en cas de chute.
- Ne placez pas vos doigts entre la porte et le corps du réfrigérateur. Ceci pourrait provoquer des blessures lors de la fermeture de la porte.
- Ne placez pas d'êtres vivants tels que des animaux domestiques dans le réfrigérateur.
- Ne tentez pas d'ouvrir ou de fermer la porte du réfrigérateur tout en conduisant un véhicule. Ceci pourrait provoquer un accident en raison de la perte d'attention.
- Ce réfrigérateur est adapté pour refroidir des aliments. Si vous souhaitez refroidir des produits médicaux, vérifiez que la capacité de refroidissement du réfrigérateur est suffisante.
- N'utilisez jamais de chargeur de batterie, de transformateur, de redresseur, de stimulateur de batterie ou de convertisseur CA/CC pour alimenter le réfrigérateur. Ceci risquerait d'en-

dommager l'appareil.

- Ne connectez jamais le réfrigérateur directement à un groupe électrogène, que sa tension de sortie soit en CA ou CC. Ceci pourrait entraîner un mauvais refroidissement et risquerait également d'endommager le réfrigérateur en raison des hautes tensions et des pointes de surcharge du groupe électrogène. Utilisez un régulateur de tension automatique pour le réfrigérateur. Contactez votre revendeur ENGEL pour toute question relative à l'utilisation d'un groupe électrogène pour l'alimentation du réfrigérateur.
- Ne sur-remplissez pas votre réfrigérateur. Cela réduit sa capacité de refroidissement et les aliments stockés risquent de se dégrader.
- Les supports en L et les boulons fournis avec le réfrigérateur doivent être fermement fixés à celui-ci. Une mauvaise installation peut provoquer une chute imprévisible du réfrigérateur lors du transport, ce qui pourrait endommager l'appareil ou provoquer une panne, voire être une cause de blessures.
- Ne placez de poches froides dont le contenu fuit dans l'appareil. Certains blocs réfrigérants du commerce contiennent un type de produit chimique qui corrode les éléments métalliques du réfrigérateur. Si de tels produits chimiques sont renversés à l'intérieur du réfrigérateur, essayez-les une première fois avec un chiffon humide et doux, puis une seconde fois avec un chiffon sec.
- Il est recommandé d'éteindre le réfrigérateur lorsque le moteur du véhicule est à l'arrêt, afin d'éviter d'épuiser la batterie.
- Soyez extrêmement prudent lors du transport du réfrigérateur.

NOTE

- Si la tension des bornes d'entrées CC du réfrigérateur descend en dessous de 11 V, l'efficacité du refroidissement diminue aussitôt. Conservez toujours la batterie en bon état de marche afin de vous assurer qu'elle est pleinement chargée.
- Si utilisé à bord d'un véhicule, fixez fermement le réfrigérateur à l'intérieur de celui-ci. Dans le cas contraire, le réfrigérateur pourrait tomber ou se déplacer en cas d'accélération ou de freinage brusque, et provoquer des blessures.
- N'utilisez jamais ce réfrigérateur à l'intérieur du compartiment réfrigéré d'un camion frigorifique où de la condensation pourrait facilement se former, provoquant des écoulements d'eau sur le réfrigérateur susceptibles de l'endommager.
- Ne placez pas de bouteilles en verre dans le réfrigérateur. Les bouteilles pourraient se briser en raison d'un choc externe ou des vibrations.
- Ne fixez pas le bouton de réglage de température sur « 5 », sauf pour le stockage de produits surgelés tels que de la viande congelée ou des glaçons. Dans le cas contraire, non seulement les boissons deviendraient imbuables, mais des explosions de cannettes pourraient provoquer des blessures.
- N'utilisez pas de couteau, de tournevis ni quelque objet pointu que ce soit pour retirer le gel de l'intérieur du réfrigérateur.
- Ne versez pas d'eau dans le réfrigérateur. Ceci pourrait provoquer des pannes dues aux infiltrations d'eau dans le matériau d'isolation ou dans les composants mécaniques et électriques. Si de l'eau se retrouve dans l'enceinte, essuyez-la avec un chiffon doux.
- Le réfrigérateur a besoin d'une ventilation adéquate pour opti-

miser ses performances de refroidissement. Veuillez régler l'ouverture de ventilation nécessaire conformément aux instructions d'installation.

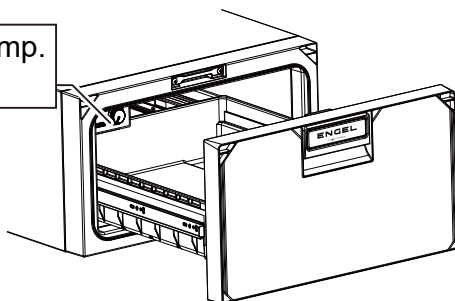
- Lorsqu'elle est stockée dans le réfrigérateur, la nourriture doit être placée dans son emballage d'origine ou dans un contenant adapté.
- Le sur-remplissage du réfrigérateur peut provoquer un refroidissement insuffisant en raison d'une mauvaise circulation de l'air, et les aliments stockés risquent de se dégrader. Conservez de l'espace entre les aliments.
- La nourriture chaude ou tiède, telle que des produits bouillants, ne doivent être stockés qu'une fois refroidis.
- Il est recommandé d'emballer les aliments ou produits liquides à l'odeur forte avant de les placer dans le réfrigérateur.
- Faites refroidir les aliments et les boissons au préalable avant de les placer dans le réfrigérateur. Ce réfrigérateur n'est pas en mesure de refroidir rapidement les aliments et les boissons. Il est également recommandé de faire refroidir au préalable l'enceinte intérieure du réfrigérateur avant d'y stocker des aliments.
- Lorsque le réfrigérateur fonctionne, ne touchez pas la nourriture stockée ou ses contenants avec des mains humides, en particulier s'ils sont en métal. Ceci pourrait provoquer des gelures ou d'autres blessures.

3. Usage prévu

- Ce réfrigérateur est prévu pour une utilisation dans les voitures, les bateaux, les caravanes ou camping-cars, et est conçu pour fonctionner avec une inclinaison inférieure à 30°.

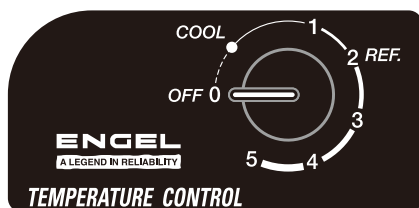
4. Contrôles et affichage

Bouton de réglage de temp.
et Témoin Lumineux



■ Réglage de la température

Tournez le bouton de réglage de la température pour modifier la température ambiante à l'intérieur du réfrigérateur.



Position du réglage	Température intérieure*
0	DÉSACTIVÉ (Stop)
1	Env. 8°C
3	Env. -2°C
5	Env. -8°C

* À une température ambiante de 30°C avec la porte du réfrigérateur fermée

5. Installation et Aération

Installation

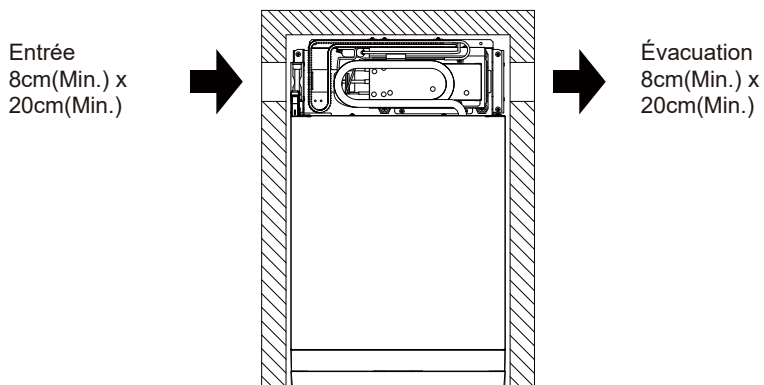
- 1) Assurez-vous que le réfrigérateur est positionné horizontalement. Lors de l'installation dans le véhicule, assurez-vous que le réfrigérateur n'est pas dans une position instable.
- 2) Assurez-vous d'installer le réfrigérateur dans un endroit où la circulation de l'air est disponible. Si la circulation de l'air de l'unité de refroidissement est contaminée, le système de refroidissement sera détérioré.
- 3) Évitez la lumière directe du soleil, la chaleur d'une cuisinière ou tout ce qui peut être lié à la chaleur. Si vous installez le réfrigérateur près d'une cuisinière, d'un chauffage ou de tout appareil générant de la chaleur, ou si vous le placez à la lumière directe du soleil, la capacité de refroidissement sera affectée. Il y a également un risque de décoloration ou de déformation.
- 4) Évitez d'installer le réfrigérateur près d'un évier de cuisine ou d'un robinet d'eau. En cas d'installation dans des endroits exposés à l'eau, les circuits électriques et d'autres pièces risquent d'être affectés.
- 5) Pour obtenir une bonne capacité de refroidissement et une consommation de courant réduite, une aération adéquate du réfrigérateur est nécessaire.
 - a) Dans l'illustration ci-dessous(Fig.1) : l'air d'aération circule dans le sens de la flèche.
 - b) Assurez-vous de ne PAS bloquer l'entrée et la sortie d'évacuation du compresseur.
 - c) Taille de l'aération recommandée : longueur verticale de 20 cm et longueur latérale de 8 cm. En cas de blocage, la capacité de refroidissement sera affectée. Il y a également un risque de panne du système de refroidissement.

Aération

MISE EN GARDE

Ne pas maintenir une aération suffisante pour le refroidissement entraînera une réduction de la durée de vie de l'appareil, un mauvais refroidissement, un appel de courant excessif pour la batterie et annulera également la garantie. Ne bloquez jamais la ventilation.

Reportez-vous à l'illustration ci-dessous pour trouver l'aération correcte. (Voir Fig.1)



(Fig.1)

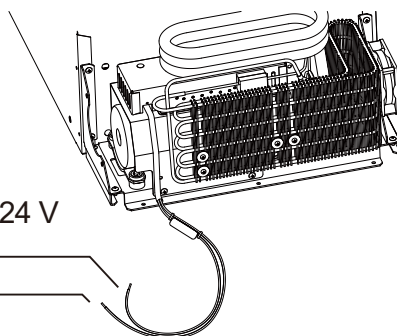
6. Fonctionnement

Raccordez l'appareil uniquement aux sources d'alimentation suivantes:
Batterie CC 12 V ou 24 V

Cordon d'entrée CC 12/24 V

+ : Cordon rouge

- : Cordon noir



! NOTE

Avant de commencer à utiliser votre réfrigérateur, ses surfaces intérieures comme extérieures doivent être correctement nettoyées avec un chiffon humide, afin d'éviter tout problème d'ordre hygiénique.

6.1 Raccordement à la batterie CC 12 V ou 24 V

Ce réfrigérateur peut fonctionner à la fois sous 12 V et 24 V CC. Veillez à ce que la tension de la batterie corresponde à celle indiquée sur l'étiquette du réfrigérateur. Si la tension de la batterie est trop élevée, le réfrigérateur pourrait être endommagé.

Tout d'abord, tournez le bouton de réglage de température sur «0» (DÉSACTIVÉ). Puis, placez-le sur n'importe quel réglage entre 1 et 5 et l'éclairage intérieur LED s'allumera. Tournez le bouton de réglage de température sur le réglage souhaité.

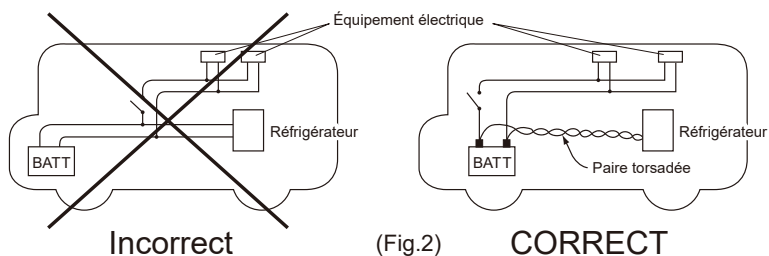
6.1.1 Raccordement direct embarqué

1) Paire torsadée

Afin de limiter les interférences radio lors du fonctionnement en CC, torsadez le câble négatif et le câble positif l'un avec l'autre en spirale (utilisez des câbles séparés), entre la batterie.

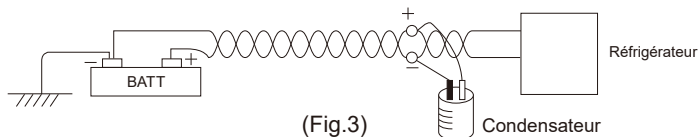
2) Raccorder le réfrigérateur directement sur la batterie

Aucun interrupteur ni câble d'alimentation utilisés par d'autres équipements électriques ne doivent être partagés avec le câblage reliant le réfrigérateur et la batterie. (Les autres équipements peuvent provoquer des pics de tension risquant d'endommager les transistors de l'alimentation électrique du réfrigérateur. (Voir Fig.2)



(Fig.2)

3) Afin d'éviter le bruit radio et l'absorption des surtensions hautes fréquences, insérez un condensateur de 10000 μ F comme indiqué sur la (Fig.3) ci-dessous.



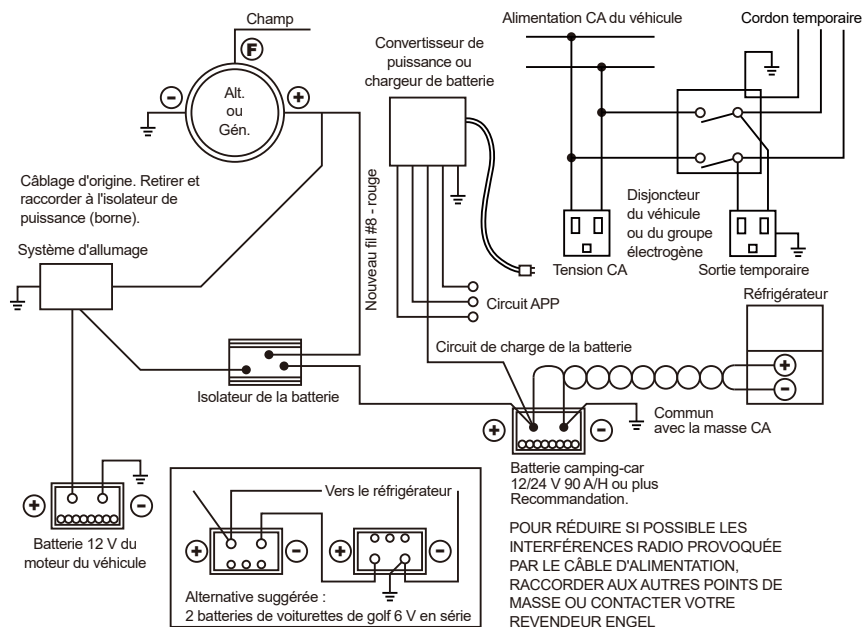
(Fig.3)

4) Il est important de choisir le bon calibre de câblage afin d'éviter une chute de tension. Consultez le tableau ci-dessous pour raccorder le réfrigérateur à la batterie.

Distance entre l'appareil et la batterie	Calibre de fil	
	Utilisation CC 12V	Verwendung von 24V Gleichspannung
Moins de 6m (19 pieds)	SWG#16 (AWG#14) / 2.1mm ² ou plus	SWG#18 (AWG#16) / 1.25mm ² ou plus
Plus de 10m (32 pieds) (Non recommandé, trop long)	SWG#14 (AWG#12) / 3.3mm ² ou plus	SWG#16 (AWG#14) / 2.1mm ² ou plus
Plus de 10 m (32 pieds) (Non recommandé, trop long)	SWG#12 (AWG#10) / 5.3mm ² ou plus	SWG#14 (AWG#12) / 3.3mm ² ou plus

6.1.2 Schéma de câblage du branchement à batterie double

Le schéma de câblage ci-dessous est recommandé pour le branchement à batterie double. (Voir Fig.4)



(Fig.4)



MISE EN GARDE

Afin d'éviter d'endommager le réfrigérateur en cas d'inversion de polarité ou de court-circuit, installez un fusible 15A (CC12 V) ou 10A (CC24V) dans le circuit d'alimentation, au plus près de la batterie.

PROTECTION DE LA BATTERIE

Ce réfrigérateur est équipé d'un système de surveillance de la batterie qui active ou désactive le compresseur afin de protéger la batterie.

Tension de coupure 12V	9.6V
Tension de remise en marche 12V	11.5V
Tension de coupure 24V	20.4V
Tension de remise en marche 24V	23.1V

7. Entretien du réfrigérateur

7.1 Nettoyage de l'intérieur et de la porte

Débranchez toujours la source d'alimentation électrique du réfrigérateur avant de le nettoyer ou d'effectuer son entretien.

- Nettoyez l'intérieur à l'aide d'un chiffon humidifié avec de l'eau tiède, puis essuyez de nouveau avec un chiffon sec.
- Nettoyez l'intérieur du réfrigérateur avec un chiffon humide.
- Nettoyez le condenseur interne à intervalles réguliers afin de retirer toute salissure (poussière, etc.).

! NOTE

N'utilisez jamais de brosse, de savon en poudre, de détergent, d'acide, de benzène, d'essence ou de diluants minéraux pour nettoyer le réfrigérateur, ceux-ci ayant tendance à égratigner le revêtement en plastique et la peinture.

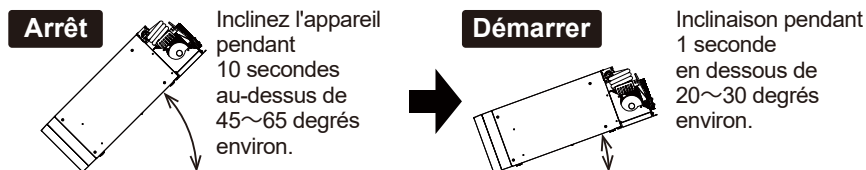
7.2 Dégivrage

À cause de l'humidité à l'intérieur de l'enceinte, du gel se forme à la surface de l'évaporateur après un certain temps d'utilisation.

Une couche de gel de 6 mm (1/4 po) ou plus réduit l'efficacité du refroidissement. Afin d'éviter ceci, l'évaporateur doit être régulièrement dégivré. Pour effectuer un dégivrage, éteignez et débranchez le réfrigérateur de façon à retirer complètement le gel de l'évaporateur.

8. Protection contre l'inclinaison

Ce réfrigérateur détecte l'inclinaison et s'arrête.



※La protection contre l'inclinaison fonctionne toujours lorsque l'appareil est incliné dans toutes les directions. L'angle de fonctionnement change en fonction de la vitesse d'inclinaison.

9. Résolution des problèmes

Panne	Cause possible	Action
Le compresseur ne fonctionne pas	Pas d'alimentation. Batterie en mauvais état.	Vérifiez que l'unité électronique est alimentée en électricité.
	Unité électronique défectueuse.	Contrôlez le fusible.
	Défaillance de l'unité électronique.	Contrôlez la polarité des connecteurs et des câbles.
	Protection contre l'inclinaison	Vérifiez que le réfrigérateur est horizontal.
L'intérieur n'est pas froid	La température ambiante est trop élevée. Aération insuffisante.	Assurez une bonne aération du réfrigérateur.
	Gel sur l'évaporateur.	Dégivrez l'évaporateur. (voir 7.2 Dégivrage)
	Condenseur obstrué	Nettoyez le condenseur.

Si le problème persiste après avoir appliqué les solutions du tableau qui précède, consultez un agent de service ENGEL ou un revendeur proche. Ne démontez jamais le réfrigérateur vous-même. Des réparations inadéquates peuvent entraîner des risques considérables.

10. Élimination

AVERTISSEMENT

- Afin d'éviter tout risque qu'un enfant se retrouve coincé à l'intérieur du réfrigérateur, effectuez les opérations suivantes avant de le jeter :- Retirez la porte du réfrigérateur.
- Ce réfrigérateur porte les symboles illustrés ci-dessous, qui indiquent qu'il ne doit pas être mêlé à des déchets ménagers lors de son élimination. Avant de jeter ce réfrigérateur, contactez les autorités locales pour vous renseigner sur la méthode d'élimination correcte, ou un revendeur spécialisé pour connaître les informations relatives à la réglementation en vigueur. L'isolation utilise du cyclopentane, qui requiert une procédure d'élimination spéciale. Contactez les autorités locales afin de vous renseigner sur l'élimination du réfrigérateur dans le respect de l'environnement.



11. Garantie

La période de garantie légale s'applique.

Si le réfrigérateur présente un défaut, contactez soit les agents dont les coordonnées sont indiquées à la page 23 de ce manuel, soit un revendeur ENGEL proche. Pour des réparations et pour que la garantie soit traitée, accompagnez le réfrigérateur des documents suivants.

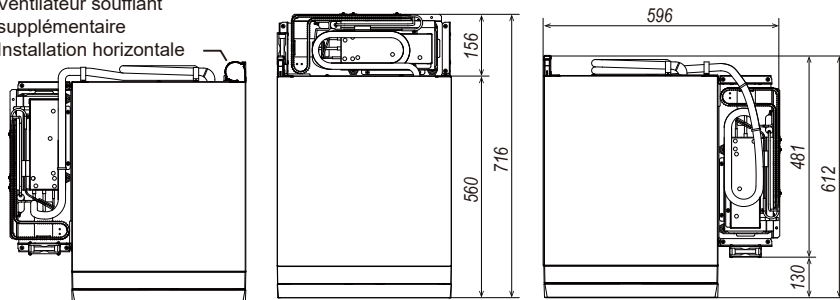
- Une copie du reçu avec la date d'achat
- La raison de la plainte et/ou la description de la panne

12. Avant la première utilisation

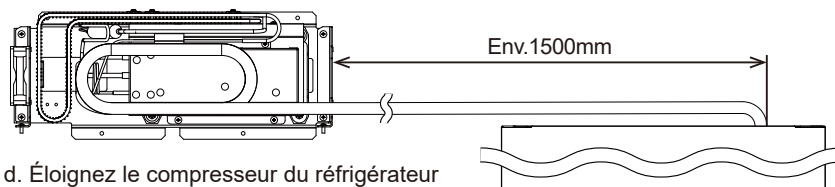
12.1 Déplacement du compresseur

Le compresseur de ce réfrigérateur peut être placé en 3 différents endroits.

Ventilateur soufflant
supplémentaire
Installation horizontale



- a. Compresseur placé sur le côté gauche b. Compresseur placé au sommet c. Compresseur placé sur le côté droit

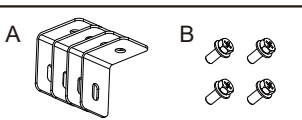


- d. Éloignez le compresseur du réfrigérateur



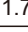
VORSICHT

Le déplacement ou le montage à distance du compresseur DOIT être effectué par une entreprise qualifiée et autorisée par Engel. Les modifications apportées par une personne non qualifiée annuleront la garantie du fabricant.

13. Pièces jointes

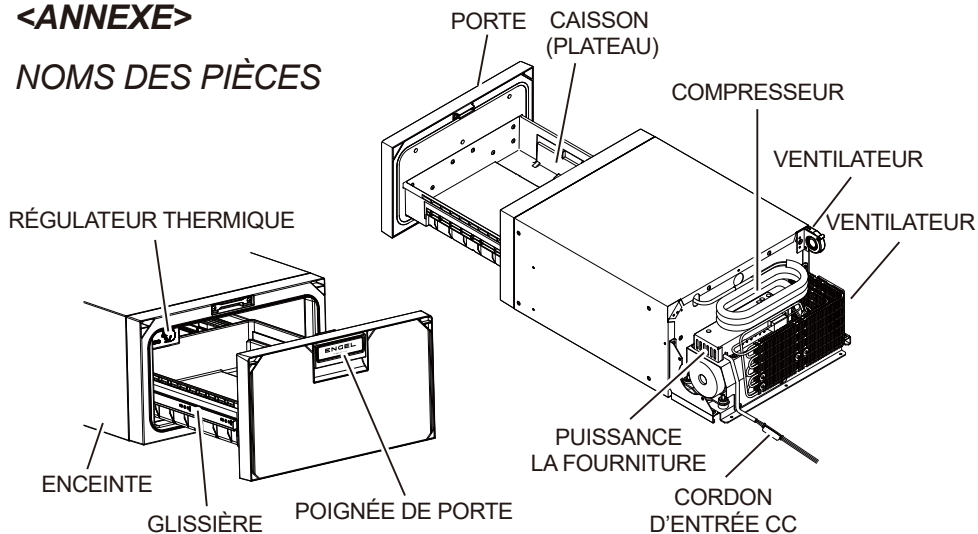
A	Support en L (pour fixer le réfrigérateur)	4 pièces	
B	Boulon hexagonal (pour fixer le réfrigérateur)	4 pièces	

14. Informations techniques

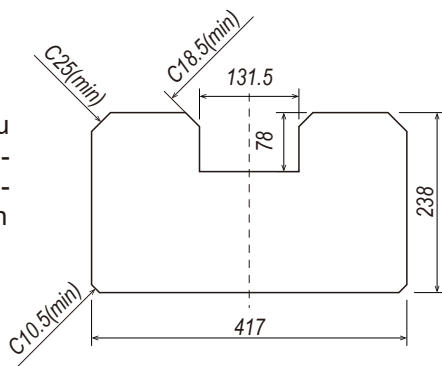
Modèles	SB30F-N-U
Tension d'entrée	12/24V 
Courant nominal	12V  :3.4A 24V  :1.7A
Capacité de refroidissement	+8°C à -8°C
Volume brut	30 L
Classe climatique	T (+16°C~+43°C)
Réfrigérant	HFC-134a
Gaz de soufflage d'isolation	Cyclopentane
Niveau sonore	39dB(A)
Dimensions LxPxH(mm)	440 x 716 x 250
Poids	21.5 kg

<ANNEXE>

NOMS DES PIÈCES

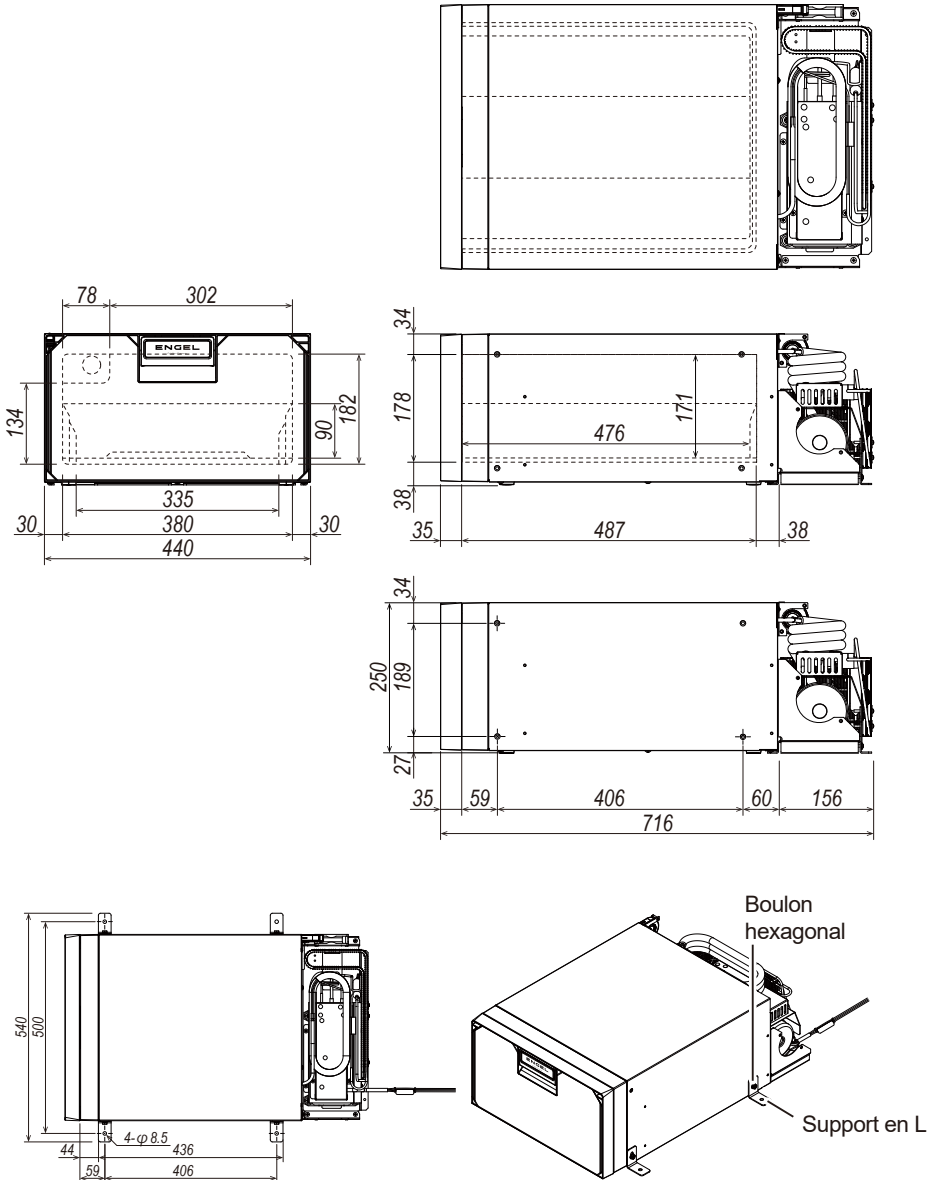


Pour personnaliser la façade du tiroir, veuillez utiliser ces dimensions afin de découper votre panneau ou autocollant pour un ajustement optimal.



DIMENSIONS DU RÉFRIGÉRATEUR

Les chiffres ci-dessous sont les dimensions de référence.



Agent de service

< USA >

Engel USA

900 Jupiter Park Drive
Jupiter, Florida 33458, USA

Tel : +1 561 743 7419

www.engel-usa.com



SAWAFUJI ELECTRIC CO.,LTD.

3, NITTAHAYAKAWA-CHO, OTA-CITY,
GUNMA 370-0344, JAPAN

TEL: +81(0)276-56-7139

FAX: +81(0)276-56-6075

(Cat. No. 5490 421 2000)

SB Serise 2021