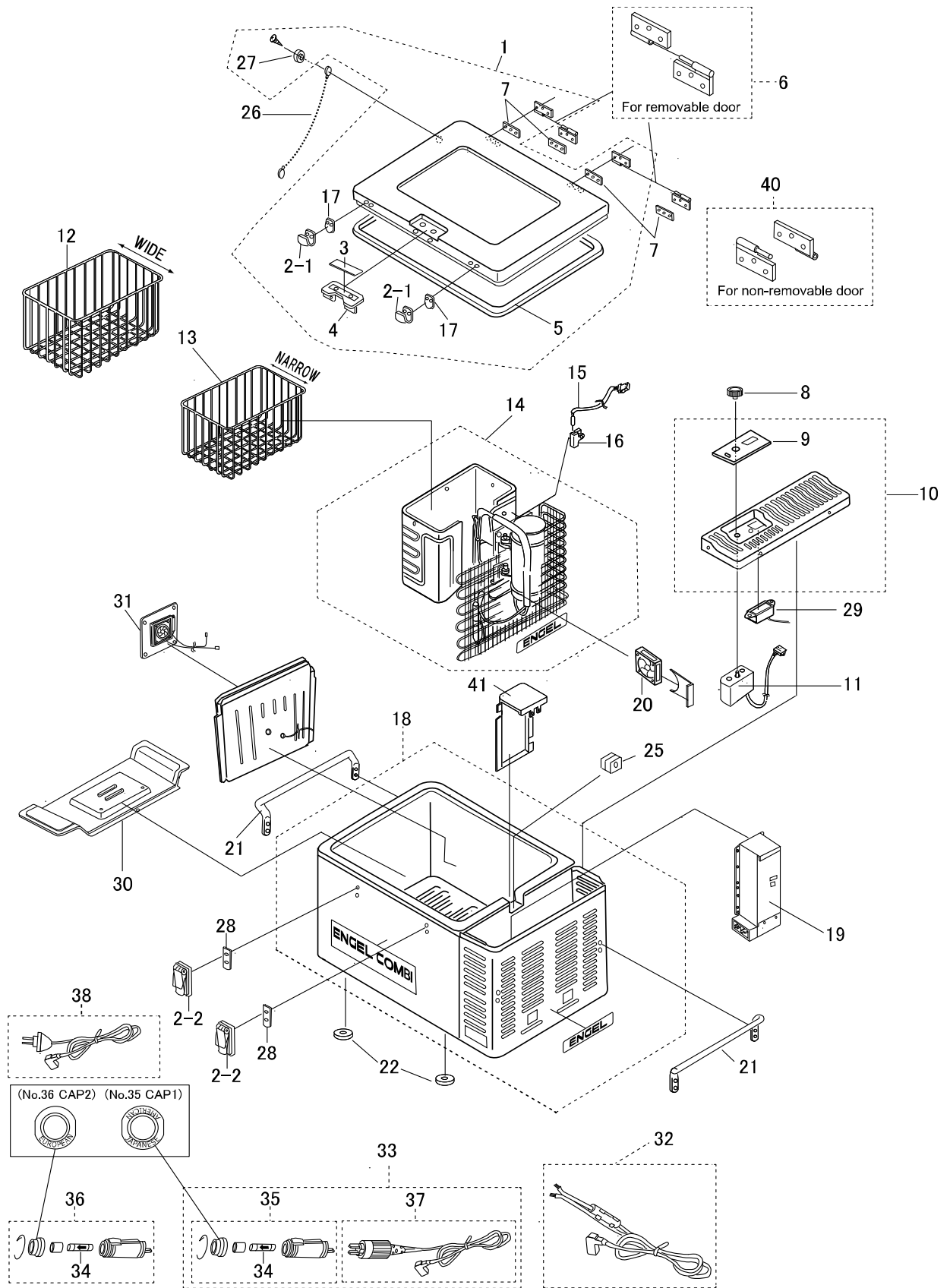


MT60F-U1-C



QTY SECTION	MODEL	MODEL CODE	PRODUCTION PERIOD	UNIT TYPE	REMARKS
A	MT60F-U1-C	0642 060 2R00	2007.09~	N21	
B					
C					

ITEM NO.	DESCRIPTION	ITEM CODE	QTY			QTY included per item code	REMARKS
			Used per fridge				
			A	B	C		
1	DOOR ASSY (removable) Light Gray Leathe	1600 555 50X9	1			1	FCM (Food Contact Materials)
2-1	LATCH ASSY (1 set = 2-1 & 2-2)	1609 356 10X9	2 sets			1 set	
2-2							
3	MARK (Handle)	5450 821 00X9	1			5	
4	HANDLE (Door)	4225 004 01X9	1			1	
5	GASKET	4148 031 20X9	1			1	
6	HINGE ASSY (Removable)	1609 061 00X9	2 sets			1 set	for removable door
7	I PLATE (Hinge)	4301 118 10X9	4			8	
8	DIAL ASSY	1602 067 00X8	1			5	
9	MARK (Thermo)	5450 891 00X9	1			10	
10	MOTOR COVER ASSY (Dark Gray Leather)	1602 278 00X9	1			1	
11	CONTROL ASSY	1601 169 40X9	1			1	
12	BASKET A (Refrigerator Section)	5230 046 10X9	1			1	
13	BASKET B (Freezer Section)	5230 047 10X9	1			1	
14	COOLING UNIT	1610 137 30X9	1			1	
15	THERMISTOR	6055 054 30X9	1			1	Order and replace the thermistor and holder as a set.
16	INSULATION HOLDER	4223 050 20X9	1			1	
17	I PLATE (Latch)	4301 129 00X9	2			4	
18	CABINET ASSY (Light Gray Leather)	1600 533 60X9	1			1	FCM (Food Contact Materials)
19	POWER SUPPLY	1601 196 10X9	1			1	
20	FAN MOTOR ASSY	1609 289 10X9	1			1	
21	HANDLE (Cabinet) (Light Gray)	3233 005 40X9	1 set			2	1set= HANDLE 2 Pieces
22	CUSHION (Rubber Leg)	4120 139 00X9	1 set			4	1set= CUSHION 4 Pieces
25	RUBBER BUSHING	4160 063 10X9	1			1	
26	CHAIN ASSY	1609 063 00X0	1			1	
27	HOLDER	3604 030 00X0	1			1	
28	I PLATE (Cabinet)	4301 130 00X9	2			5	
29	THERMOMETER	6240 005 40X9	1			1	
30	CASE, DOOR	4332 083 10X9	1			1	FCM (Food Contact Materials)
31	FAN MOTOR ASSY	1609 469 00X9	1			1	
32	CORD ASSY (DC)	1912 422 10X0	1			1	
33	CORD ASSY (Plug Type)	1912 404 00X9	Opt			1	
34	FUSE ASSY (Thermal 10A)	1603 002 00X9	Opt			1	
35	PLUG ASSY (CAP 1)	1602 121 00X9	Opt			1	
36	PLUG ASSY (CAP 2)	1602 121 10X9	Opt			1	
37	CORD ASSY (Without Plug Assy)	1912 401 00X9	Opt			1	
38	CORD ASSY (AC)	1912 417 00X0	1			1	
40	HINGE ASSY	1609 061 10X9	Opt			1 set	for non-removable door
41	COVER PIPE	4330 050 20X9	1			1	