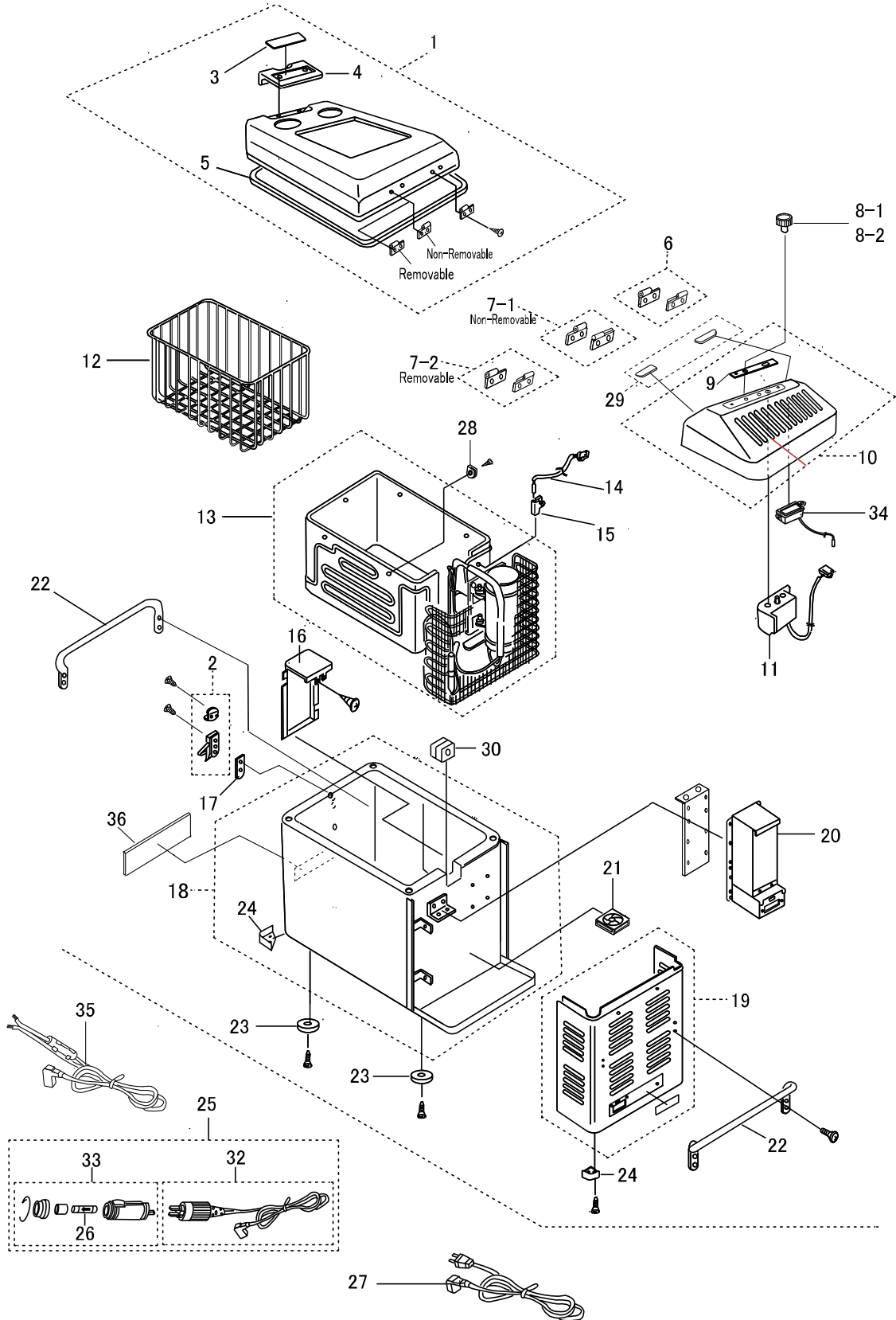


MT35F-U1 / MT45F-U1



QTY SECTION	MODEL	MODEL CODE	PRODUCTION PERIOD	UNIT TYPE	REMARKS
A	MT35F-U1	0642 032 0R12	2012.12~ 2017.12	K3	
B	MT45F-U1	0642 042 0R22	2012.12~ 2017.12	K3	

ITEM NO.	DESCRIPTION	ITEM CODE	QTY					QTY included per item code	REMARKS
			Used per fridge						
			A	B	C	D			
1	DOOR ASSY (non-removable) DARK GRAY	1600 448 63X9	1	1			1	TBA	
2	LATCH ASSY	1609 356 00X9	1	1			1		
3	MARK	5450 821 00X9	1	1			5		
4	DOOR HANDLE	4225 004 01X9	1	1			1		
5	GASKET	4148 039 01X9	1	1			1		
6	HINGE ASSY with LONG PIN	1609 345 30X9	1	1			1		
7-1	HINGE ASSY with LONG PIN	1609 345 40X9	1	1			1	for non-removable door	
7-2	HINGE ASSY with SHORT PIN	1609 345 50X9	opt	opt			1	for removable door	
8-1	DIAL KNOB (standard)	1602 067 00X8	1	1			5		
8-2	DIAL KNOB (with white indicator line)	1602 067 10X9	opt	opt			5		
9	MARK	5450 822 00X9	1	1			5		
10	COVER ASSY (Dark Gray)	1602 203 00X9	1	1			1		
11	TEMPERATURE CONTROLLER	1601 169 00X9	1	1			1		
12	BASKET	5230 037 10X9	1	-			1		
		5230 038 20X9	-	1			1		
13	COOLING UNIT (K3)	1610 115 21X9	1	-			1		
		1610 116 31X9	-	1			1		
14	EVAPORATOR THERMISTOR	6055 081 10X9	1	1			1	Order and replace the thermistor and holder as a set.	
15	HOLDER	4223 050 20X9	1	1			1		
16	COVER PIPE	4330 039 00X9	1	1			1		
17	"I" PLATE	4301 130 00X9	1	1			5		
18	CABINET ASSY (Light Gray)	1600 446 51X9	1	-			1		
		1600 635 01X9	-	1			1		
19	CASE COVER ASSY (Light Gray)	1609 346 00X9	1	-			1		
		1609 347 00X9	-	1			1		
20	POWER SUPPLY (K3)	1601 168 12X9	1	1			1		
21	COOLING FAN	6080 007 40X9	1	-			1		
		1609 289 00X9	-	1			1		
22	HANDLE (Light Gray)	3233 010 00X9	1set	1set			2	1set= HANDLE 2 Pieces	
23	CUSHION	4120 139 00X9	1set	1set			4	1set= CUSHION 4 Pieces	
24	CORNER CUSHION	4274 009 30X9	1set	1set			4	1set= CORNER CUSHION 4 Piece	
25	DC CORD ASSY	1912 404 00X9	1	1			1		
26	SPECIAL THERMAL FUSE	1603 002 00X9	1	1			1		
27	AC CORD ASSY	1912 417 00X0	1	1			1		
29	CUSHION (Rx1 & Lx1 as 1 set)	4120 191 00X9	1set	1set			5 sets	4120 191 00X9= 5sets(Rx5 & Lx5)	
30	RUBBER BUSHING	4160 063 10X9	1	1			1		
32	DC CORD without No. 33	1912 401 00X9	1	1			1		
33	PLUG ASSY	1602 121 00X9	1	1			1		
36	ENGEL STICKER	5450 820 00X9	1	1			5		