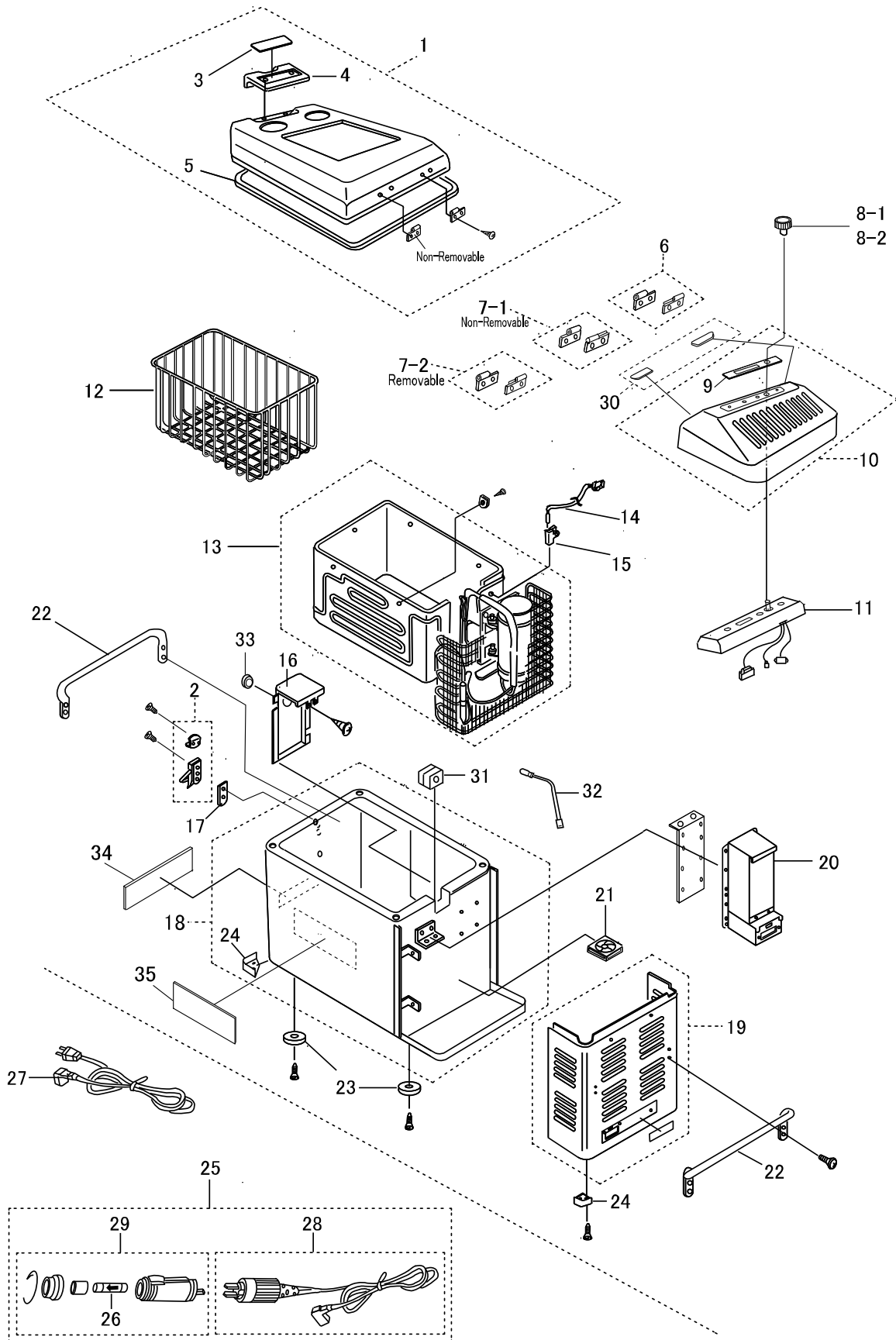


# MT35F-U1D-P / MT45F-U1D-P



QTY	SECTION	MODEL	MODEL CODE	PRODUCTION PERIOD	UNIT TYPE	REMARKS
	A	MT35F-U1D-P	0642 032 0R30	2018.03~	K3	
	B	MT45F-U1D-P	0642 042 0R40	2018.01~	K3	

ITEM NO.	DESCRIPTION	ITEM CODE	QTY				QTY included per item code	REMARKS
			Used per fridge					
			A	B				
1	DOOR ASSY ( non-removable ) FINE GOLD	1600 448 70X9	1	1			1	
2	LATCH ASSY	1609 356 10X9	1	1			1	
3	MARK	5450 821 00X9	1	1			5	
4	DOOR HANDLE	4225 004 01X9	1	1			1	
5	GASKET	4148 039 01X9	1	1			1	
6	HINGE ASSY with LONG PIN	1609 345 30X9	1	1			1	
7-1	HINGE ASSY with LONG PIN	1609 345 40X9	1	1			1	for non-removable door
7-2	HINGE ASSY with SHORT PIN	1609 345 50X9	opt	opt			1	for removable door
8-1	DIAL KNOB ( standard )	1602 067 00X8	1	1			5	
8-2	DIAL KNOB ( with white indicator line )	1602 067 10X9	opt	opt			5	
9	MARK	5450 822 90X9	1	1			5	
10	COVER ASSY ( Fine Gold )	1602 280 50X9	1	1			1	Include of No.9
11	TEMPERATURE CONTROLLER	1601 215 21X9	1	1			1	Include of No.9
12	BASKET	5230 037 10X9	1	-			1	
		5230 038 20X9	-	1			1	
13	COOLING UNIT ( K3 )	1610 115 21X9	1	-			1	
		1610 116 31X9	-	1			1	
14	EVAPORATOR THERMISTOR	6055 081 10X9	1	1			1	Order and replace the thermistor and holder as a set.
15	HOLDER	4223 050 20X9	1	1			1	
16	COVER PIPE	4330 039 10X9	1	1			1	
17	"I" PLATE	4301 130 00X9	1	1			5	
18	CABINET ASSY ( Fine Gold )	1600 446 41X9	1	-			1	
		1600 447 51X9	-	1			1	
19	CASE COVER ASSY ( Fine Gold )	1609 346 40X9	1	-			1	
	CASE COVER ASSY ( Fine Gold )	1609 347 40X9	-	1			1	
20	POWER SUPPLY ( K3 )	1601 168 12X9	1	1			1	
21	COOLING FAN	6080 007 40X9	1	-			1	
		1609 289 10X9	-	1			1	
22	HANDLE ( Fine Gold )	3233 010 40X9	1set	1set			2	1set= HANDLE 2Pieces
23	CUSHION	4120 139 00X9	1set	1set			4	1set= CUSHION 4Pieces
24	CORNER CUSHION	4274 009 30X9	1set	1set			4	1set= CORNER CUSHION 4Pieces
25	DC CORD ASSY	1912 404 00X9	1	1			1	
26	SPECIAL THERMAL FUSE	1603 002 00X9	1	1			1	
27	AC CORD ASSY	1912 417 00X0	1	1			1	
28	DC CORD without No. 29	1912 401 00X9	1	1			1	
29	PLUG ASSY	1602 121 00X9	1	1			1	
30	CUSHION ( Rx1 & Lx1 as 1 set )	4120 191 00X9	1 set	1 set			5 sets	4120 191 00X9= 5sets(Rx5 & Lx5)
31	RUBBER BUSHING	4160 063 10X9	1	1			1	
32	DIODE ASSY ( LED )	1609 484 00X9	1	1			1	
33	CAP	4101 167 00X9	1	1			1	
34	ENGEL STICKER	5450 820 30X9	1	1			5	
35	ENGEL STICKER	5450 890 01X9	1	1			5	