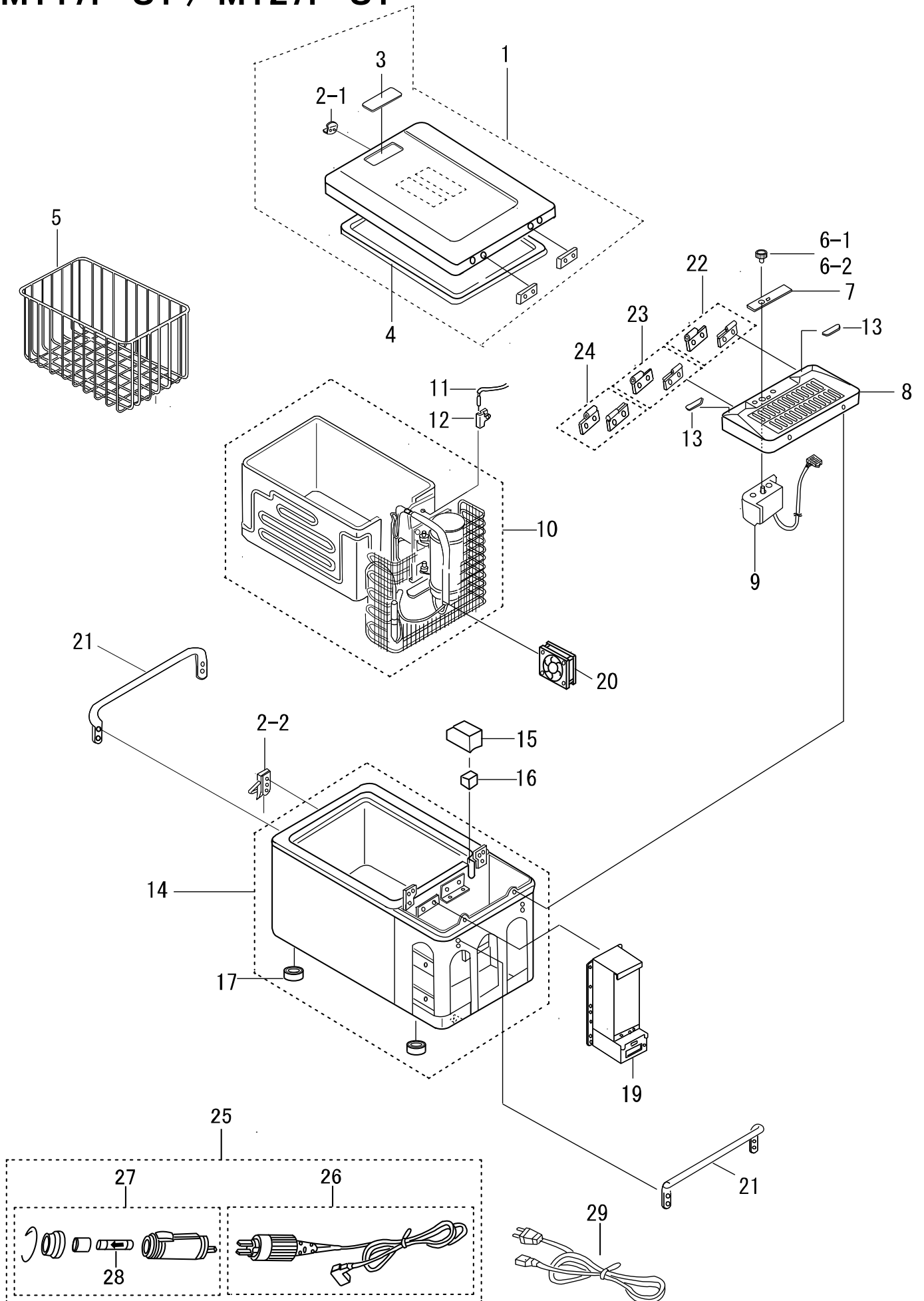


MT17F-U1 / MT27F-U1



QTY SECTION	MODEL	MODEL CODE	PRODUCTION PERIOD	UNIT TYPE	REMARKS
A	MT17F-U1	0642 015 1R13	2014.12~	K3	
B	MT27F-U1	0642 025 1R03	2014.12~	K3	
				K3	
				K3	

●MHD13F-DM

ITEM NO.	DESCRIPTION	ITEM CODE	QTY				QTY included per item code	REMARKS
			Used per fridge					
			A	B	C	D		
1	DOOR ASSEMBLY	1600 542 20X9	1	1			1	
2-1	LATCH SET (2-1 & 2-2 included)	6260 005 00X9	1	1			1	
2-2								
3	ENGEL LABEL	5450 821 00X9	1	1			5	
4	GASKET	4148 031 10X9	1	1			1	
5	BASKET	5230 010 10X9	1	-			1	
		5230 048 00X9	-	1			1	
6-1	DIAL KNOB, STANDARD	1602 067 00X8	1	1			5	
6-2	DIAL KNOB (with white indicator line)	1602 067 10X9	Opt	Opt			5	
7	DIAL LABEL	5450 423 10X9	1	1			5	
8	COVER ASSEMBLY	1602 052 11X9	1	1			1	
9	TEMPERATURE CONTROLLER	1601 169 00X9	1	1			1	
10	COOLING UNIT (K3)	1610 139 10X9	1	1			1	
11	EVAPORATOR THERMISTOR	6055 081 10X9	1	1			1	Order and replace the thermistor and holder as a set.
12	HOLDER	4223 050 20X9	1	1			1	
13	CUSHION (Rx1 & Lx1 as 1 set)	4120 191 00X9	1 set	1 set			5 sets	4120 191 00X9= 5sets(Rx5 & Lx5)
14	CABINET ASSEMBLY	1600 544 20X9	1	-			1	
		1600 546 20X9	-	1			1	
15	COVER PIPE	4221 010 00X9	1	1			1	
16	INSULATOR, HEAT	4390 155 00X9	1	1			1	
17	CUSHION	4120 058 00X9	1set	1set			4	1set= CUSHION 4 Pieces
19	POWER SUPPLY (K3)	1601 184 01X9	1	1			1	
20	MOTOR FAN	6080 007 40X9	1	1			1	
21	HANDLE	3233 012 00X9	1set	1set			2	1set= HANDLE 2 Pieces
22	HINGE (long pin)	1609 345 00X9	1	1			1	
23	HINGE, DIAL SIDE (short pin) (option for removable door)	1609 345 20X9	Opt	Opt			1	
24	HINGE, DIAL SIDE (long pin) (option for non-removable door)	1609 345 10X9	1	1			1	
25	DC CORD ASSEMBLY	1912 404 00X9	1	1			1	
26	DC Cord (without Plug Assembly)	1912 401 00X9	1	1			1	
27	PLUG ASSEMBLY	1602 121 00X9	1	1			1	
28	SPECIAL THERMAL FUSE	1603 002 00X9	1	1			1	
29	AC CORD ASSEMBLY	1912 133 40X0	1	1			1	