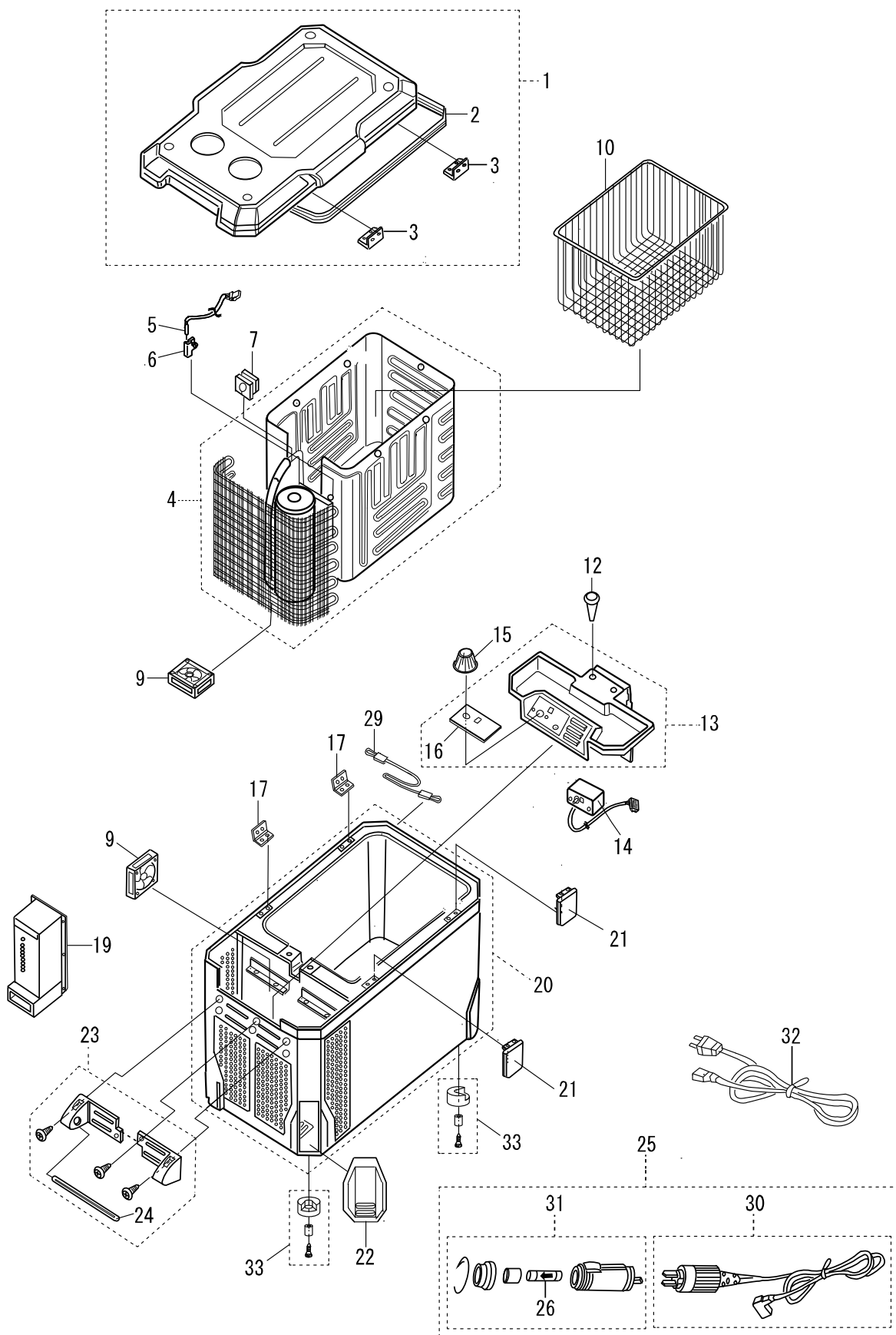


MR040F-U1



QTY SECTION	MODEL	MODEL CODE	PRODUCTION PERIOD	UNIT TYPE	REMARKS
A	MR040F-U1	0642 041 0R13	2012.12~	K3	

ITEM NO.	DESCRIPTION	ITEM CODE	QTY					QTY included per item code	REMARKS
			Used per fridge						
			A	B	C	D	E		
1	DOOR ASSY (Dark Grey)	1609 482 00X9	1					1	
2	GASKET	4148 031 00X9	1					1	
3	HOLDER	3220 335 10X9	2					1	
4	COOLING UNIT (K3)	1610 145 11X9	1					1	
5	EVAPORATOR THERMISTOR	6055 081 10X9	1					1	Order and replace the thermistor and holder as a set.
6	THERMISTOR HOLDER	4223 050 20X9	1					1	
7	BUSHING	4160 063 10X9	1					1	
9	MOTOR FAN	1609 289 00X9	2					1	
10	BASKET	5230 038 10X9	1					1	
12	FASTENER	6451 123 20X9	2					2	
13	COVER	4221 144 00X9	1					1	No16. included.
14	TEMPERATURE CONTROL ASSY	1601 169 00X9	1					1	
15	DIAL ASSY	1602 283 00X9	1					1	
16	MARK	5450 973 00X9	1					1	
17	HINGE ASSY	1609 266 10X9	2					1	
19	POWER SUPPLY (K3)	1601 168 12X9	1					1	
20	CABINET ASSY (Light Gray)	1609 483 10X9	1					1	
21	LATCH ASSY	1602 282 00X9	2					1	
22	COVER	4221 143 00X9	4					1	
23	HANDLE	4225 132 00X9	2set					1set	
24	BAR	4225 133 00X9	2					1	
25	DC CORD ASSY	1912 404 00X9	1					1	
26	SPECIAL THERMAL FUSE	1603 002 00X9	1					1	
29	DOOR STOPPER	4390 159 00X9	1					1	
30	DC CORD (Without No. 31)	1912 401 00X9	1					1	
31	PLUG ASSY	1602 121 00X9	1					1	
32	AC CORD ASSY	1912 133 40X0	1					1	
33	CUSHION	4120 303 01X9	opt					1set	1set=CUSHION 4 pieces