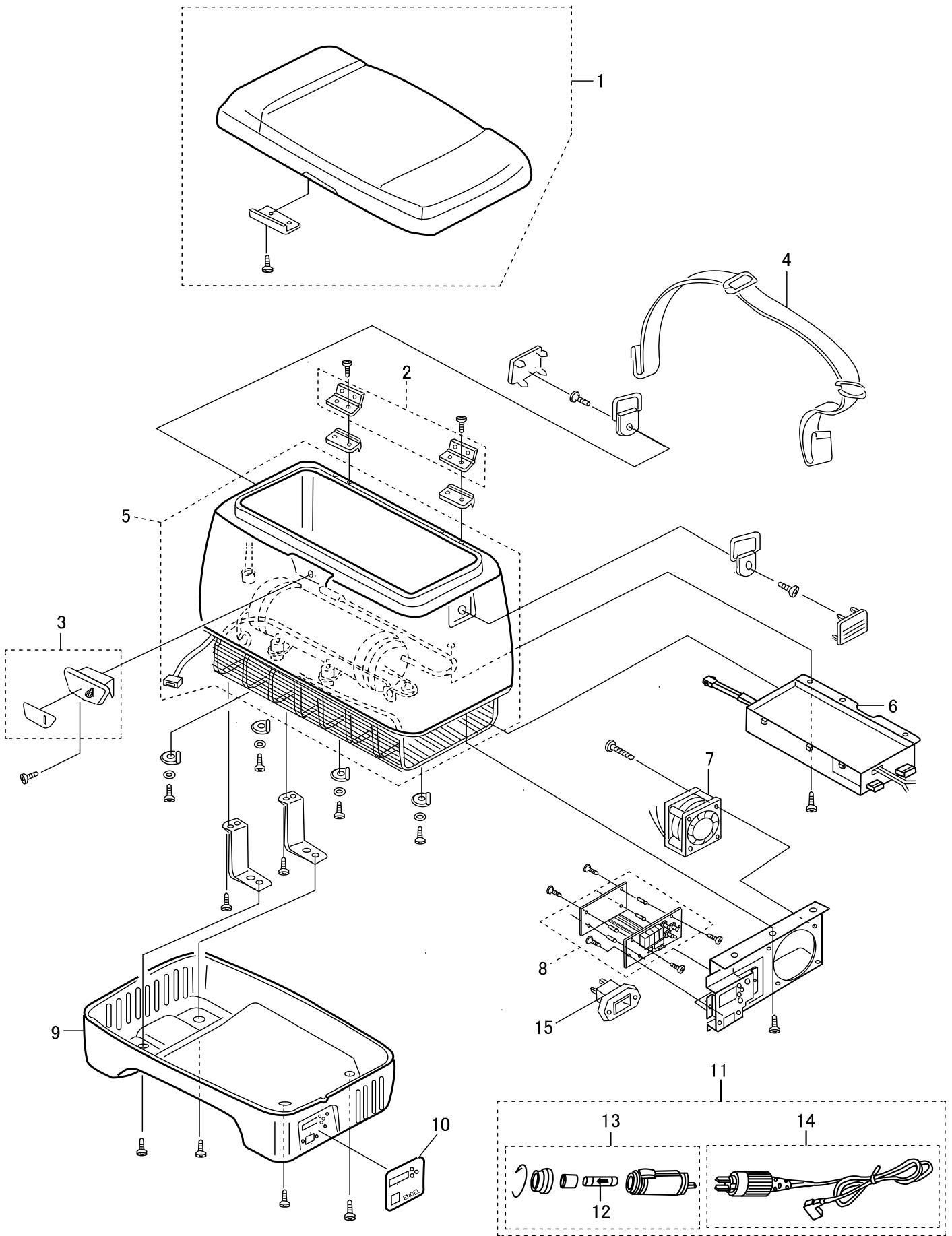


MHD13F-DM



QTY SECTION	MODEL	MODEL CODE	PRODUCTION PERIOD	UNIT TYPE	REMARKS
A	MHD13F-DM	0642 013 4020	2014.11~	N21	

ITEM NO.	ITEM CODE	QTY			QTY included per item code	REMARKS
			Used per fridge				
			A	B	C		
1	DOOR ASSY	1600 249 50X9	1			1	
2	HINGE	1609 266 00X9	1set			2	1set= HINGE 2Pieces
3	LATCH ASSY	1602 099 50X9	1			1	
4	SHOULDER STRAP	4101 121 00X9	1			1	
5	COOLING SYSTEM	1600 602 00X9	1			1	
6	POWER SUPPLY	1601 210 10X9	1			1	
7	FAN MOTOR	1609 289 20X9	1			1	
8	CONTROL ASSY	1601 211 10X9	1			1	W/O HIGH TEMP CUTOFF
9	CASE BOTTOM	4332 052 60X9	1			1	
10	MARK	5451 184 00X9	1			10	
11	DC CORD	1912 404 50X9	1			1	
12	FUSE ASSY	1603 002 00X9	1			1	
13	PLUG ASSY	1602 121 00X9	1			1	
14	M13F-UND.P / M14F-UND.P.....	1912 401 00X9	1			1	
15	TERMINAL BLOCK	1602 041 00X9	1			1	