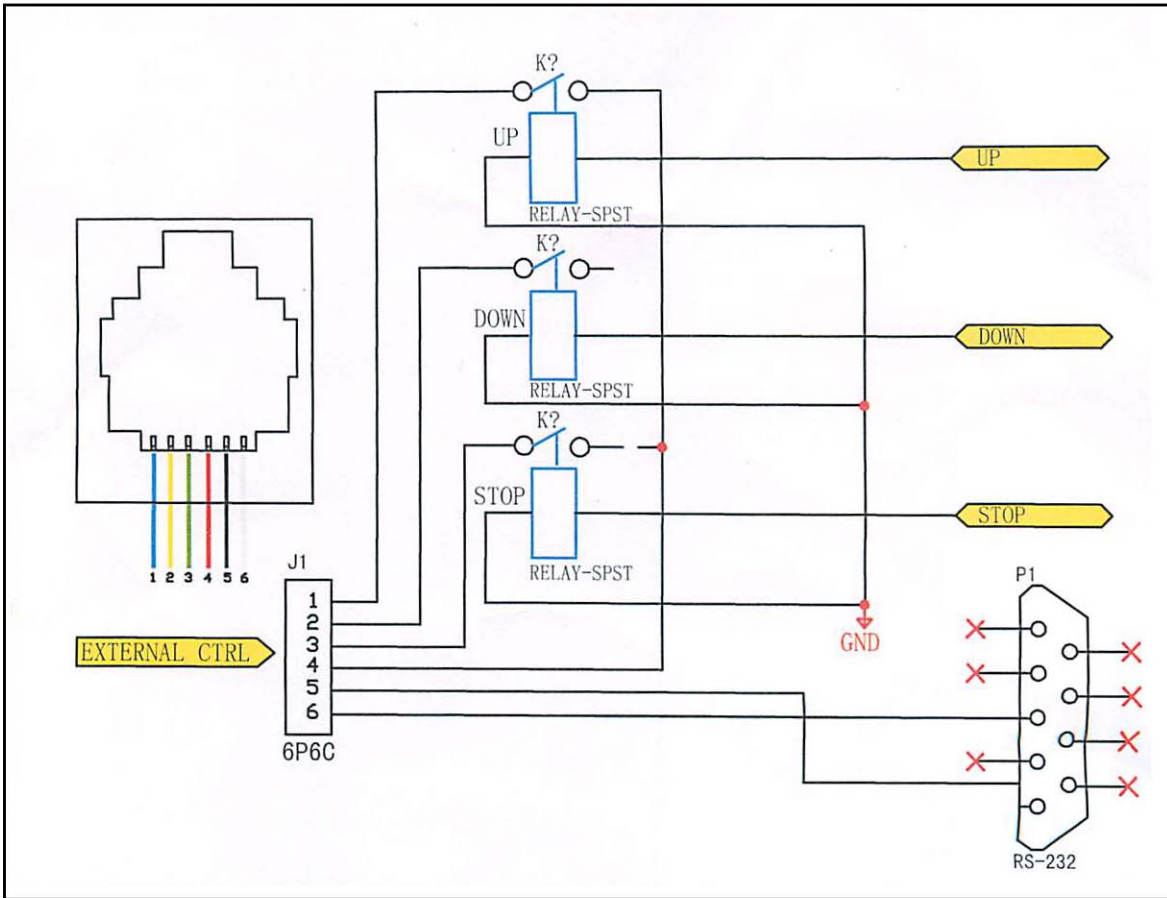




### Trigger Connection Pin-Out and RS232 Codes

## RS232P6C



## RS232 Code

RS232 central control:

RS232 setting:

1. Baud rate: 2400

2. Data: 8 codes

4. Start: 1

5. Stop: 1

For up: FF 10 11 00 DD

For down: FF 10 11 00 EE

For stop: FF 10 11 00 CC