

Installation/Operating Instructions

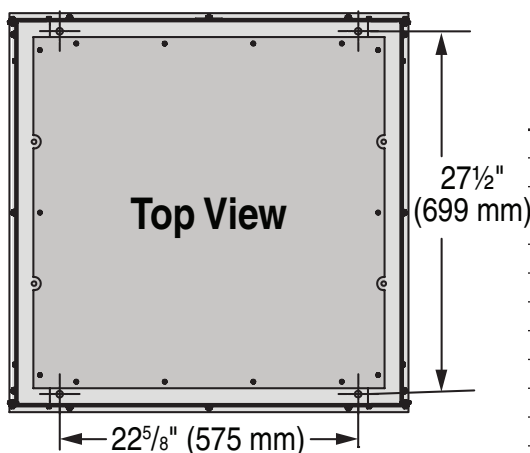
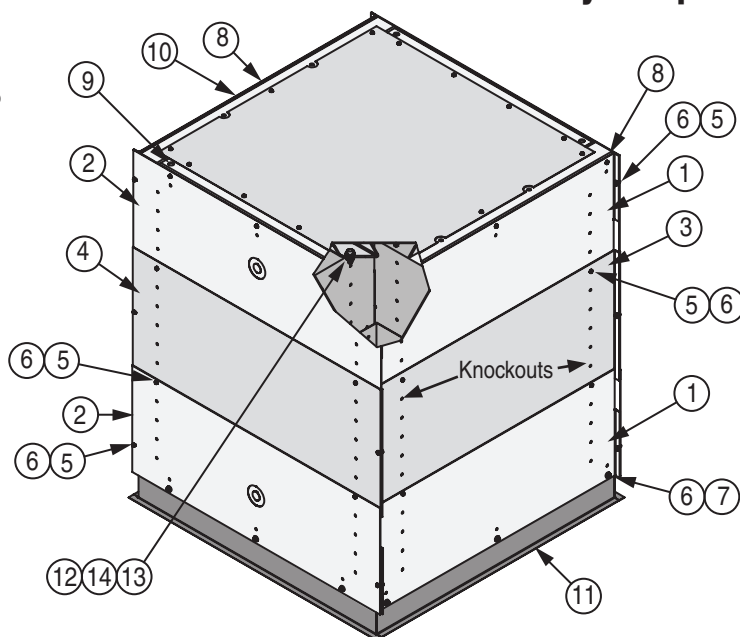
Environmental Air Space Housing for Scissor Lift SL & AeroLift 100 by Draper

Environmental Air Space Housing "B" for Scissor Lift SL & AeroLift 100

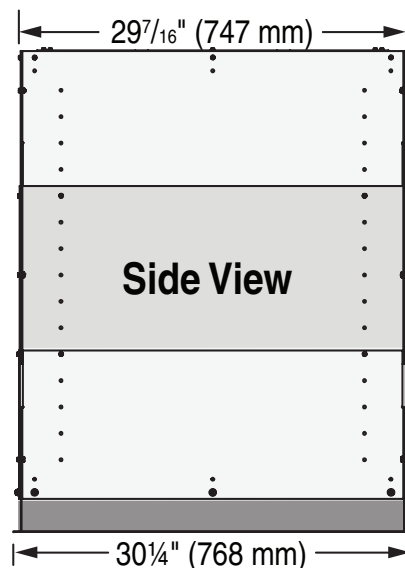
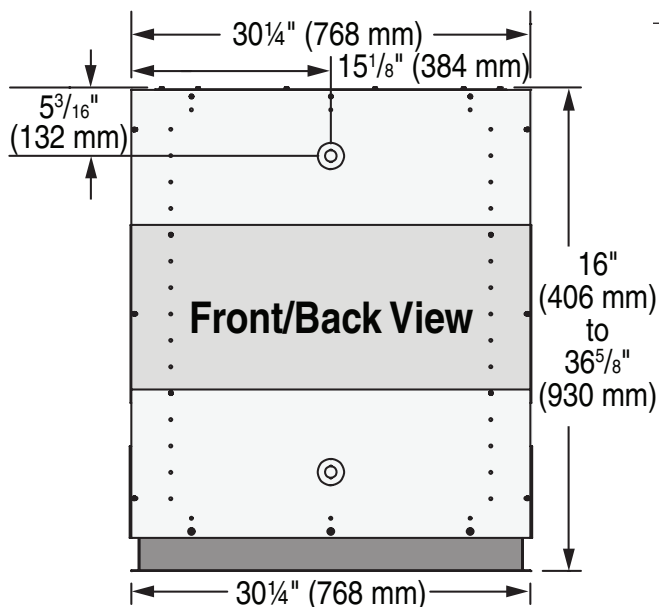
Please Note: Before assembling the housing, you will need to determine which assembly holes you will use, and knock them out.

The Environmental Air Space Housing is shipped in pieces, and must be assembled by the installer. The height of the Environmental Air Space Housing is set by punching out the knockouts at the desired locations then using screws to connect side panels. It is recommended that an access panel be installed in the ceiling to allow future access. The optional environmental air space housing must be installed to isolate the lift from the "other space used for environmental air."

- ① Attach Environmental Air Space Housing top frame to top of Scissor Lift with bolts provided.
- ② Install top panel to Environmental Air Space Housing frame.
- ③ Attach assembly to overhead structure. Allow clearance between Environmental Air Space Housing top and structure for ease of future access.
- ④ Install side and end panels, and trim frame.



Item	Qty	Part Number	Description
①	4	C044.193SA	Panel, B Environmental Air Space Housing Side
②	4	C044.191SA	Panel, B Environmental Air Space Housing End
③	2	C044.192SA	Panel, B Environmental Air Space Housing Middle Side
④	2	C044.190SA	Panel, B Environmental Air Space Housing Middle End
⑤	28	C020.325	Screw, 8-32 X 3/8" Type 1 HWH
⑥	40	C018.051	Nut #8-32 Zinc Hex Keys
⑦	12	C013.070	Washer, .188 I.D. x .5 O.D. x .07 TK Nylon Flat
⑧	26	C020.112	Screw, 8-32 X 3/8" Type E F HWH
⑨	1	C028.609.01SA	Frame, B Environmental Air Space Housing
⑩	1	C095.130SA	Cover, B Environmental Air Space Housing
⑪	1	C028.610.07SA	Frame, B Trim Ring
⑫	4	C013.024	Washer, 3/8" Flat
⑬	4	C018.044	Nut, 3/8"-16 Zinc Hex Keys
⑭	4	C020.313	Screw, 3/8"-16 x 1" GR 5 Zinc Hex Head Cap



DRAPER

411 S. Pearl St., Spiceland, IN 47385 USA ■ 765-987-7999
www.draperinc.com ■ fax 765-987-7142

Copyright © 2017 Draper Inc.

Form ScissorLift_AeroLift_EASH_Inst17

Printed in U.S.A.

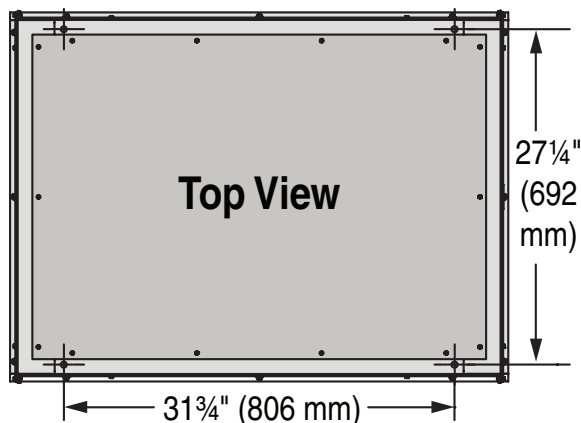
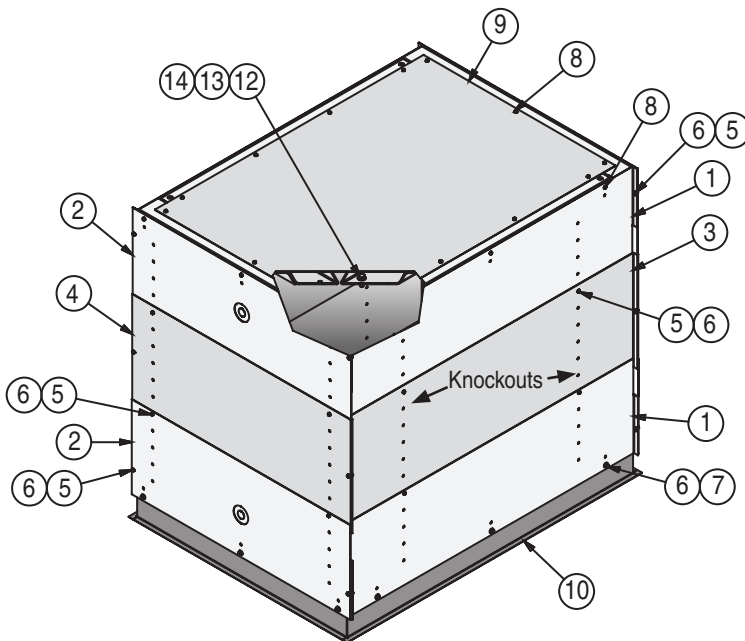
If you encounter any difficulties installing or servicing your Scissor Lift, call your dealer or Draper, Inc. in Spiceland, Indiana, 765-987-7999, or fax 765-987-7142.

**Environmental Air Space Housing "E"
for Scissor Lift SL & AeroLift 150**

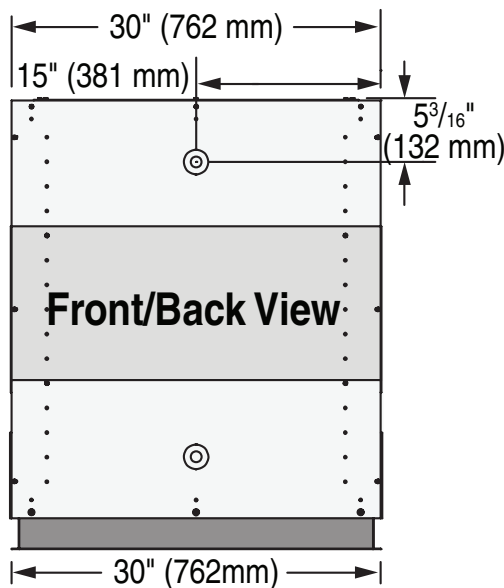
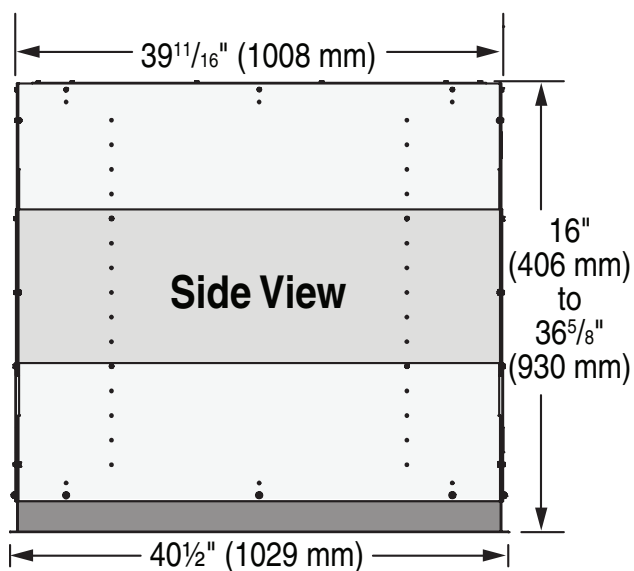
Please Note: Before assembling the housing, you will need to determine which assembly holes you will use, and knock them out.

The Environmental Air Space Housing is shipped in pieces, and must be assembled by the installer. The height of the Environmental Air Space Housing is set by punching out the knockouts at the desired locations then using screws to connect side panels. It is recommended that an access panel be installed in the ceiling to allow future access. The optional environmental air space housing must be installed to isolate the lift from the "other space used for environmental air."

- ① Attach Environmental Air Space Housing top frame to top of Scissor Lift with bolts provided.
- ② Install top panel to Environmental Air Space Housing frame.
- ③ Attach assembly to overhead structure. Allow clearance between Environmental Air Space Housing top and structure for ease of future access.
- ④ Install side and end panels, and trim frame.



Item	Qty	Part Number	Description
①	4	C044.198SA	Panel, E Environmental Air Space Housing Side
②	4	C044.196SA	Panel, E Environmental Air Space Housing End
③	2	C044.197SA	Panel, E Environmental Air Space Housing Middle Side
④	2	C044.195SA	Panel, E Environmental Air Space Housing Middle End
⑤	28	C020.325	Screw, 8-32 X 3/8" Type 1 HWH
⑥	40	C018.051	Nut #8-32 Zinc Hex Keys
⑦	12	C013.070	Washer, .188" I.D. x .5" O.D. x .07" TK Nylon Flat
⑧	26	C020.112	Screw, 8-32 X 3/8" Type F HWH
⑨	1	C095.131SA	Cover, E Environmental Air Space Housing Top
⑩	1	C028.612.07SA	Frame, E Trim Ring
⑪	1	C028.611.01SA	Frame, E Environmental Air Space Housing Top
⑫	4	C020.313	Screw 3/8"-16 x 1" GR 5 Zinc Hex Head Cap
⑬	4	C013.024	Washer, 3/8" Flat
⑭	4	C018.044	NUT 3/8"-16 Zinc Hex Keys

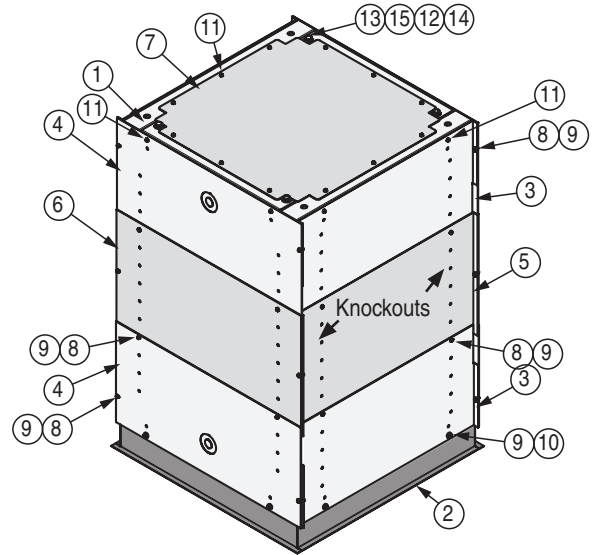
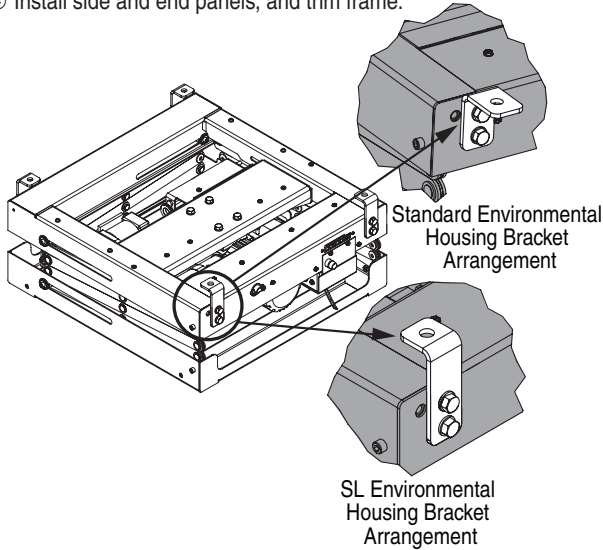


Environmental Air Space Housing "SL"

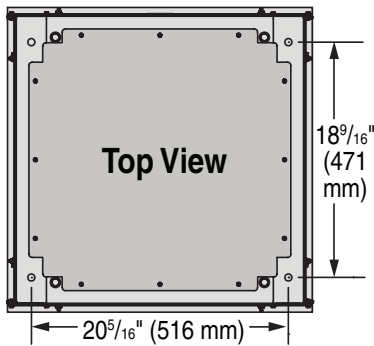
Please Note: Before assembling the housing, you will need to determine which assembly holes you will use, and knock them out.

The Environmental Air Space Housing is shipped in pieces, and must be assembled by the installer. The height of the Environmental Air Space Housing is set by punching out the knockouts at the desired locations then using screws to connect side panels. It is recommended that an access panel be installed in the ceiling to allow future access. The optional environmental air space housing must be installed to isolate the lift from the "other space used for environmental air."

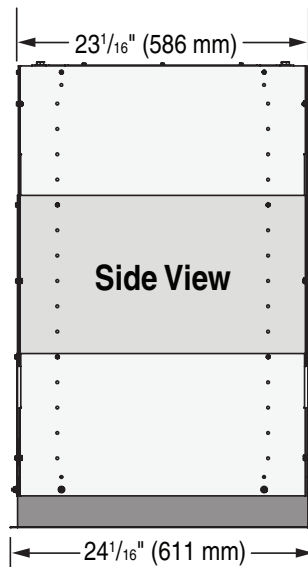
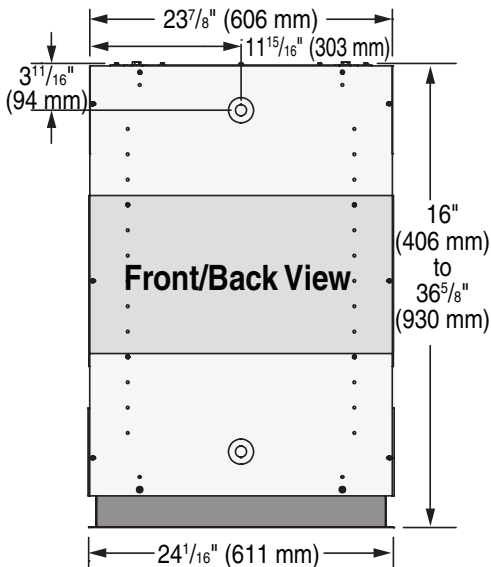
- ① Attach Environmental Air Space Housing top frame to top of Scissor Lift with bolts provided.
- ② Install top panel to Environmental Air Space Housing frame.
- ③ Attach assembly to overhead structure. Allow clearance between Environmental Air Space Housing top and structure for ease of future access.
- ④ Install side and end panels, and trim frame.



Please Note: When using the Environmental Air Space House "SL" size, the mounting brackets attached to the top four corners of the Scissor Lift SL must be removed, and replaced with brackets which are shipped with the Environmental Air Space Housing.



Item	Qty	Part Number	Description
①	1	C028.607.01SA	Frame, SL Environmental Air Space Housing
②	1	C028.608.07SA	Frame, SL Trim Ring
③	4	C044.189SA	Panel, SL Environmental Air Space Housing Side
④	4	C044.187SA	Panel, SL Environmental Air Space Housing End
⑤	2	C044.188SA	Panel, SL Environmental Air Space Housing Middle Side
⑥	2	C044.186SA	Panel, SL Environmental Air Space Housing Middle End
⑦	1	C095.129SA	Cover, SL Environmental Air Space Housing
⑧	28	C020.325	Screw, 8-32 X 3/8" Type 1 HWH
⑨	36	C018.051	Nut #8-32 Zinc Hex Keps
⑩	8	C013.070	Washer, .188" I.D. x .5" O.D. x .07" TK Nylon Flat
⑪	20	C020.112	Screw, 8-32 X 3/8" Type F HWH
⑫	4	C002.919.07SA	Bracket, SL Environmental Air Space Housing Aattach
⑬	4	C020.313	Screw 3/8"-16 x 1" GR 5 Zinc Hex Head Cap
⑭	4	C018.044	Nut 3/8"-16 Zinc Hex Keps
⑮	4	C013.024	Washer, 3/8" Flat

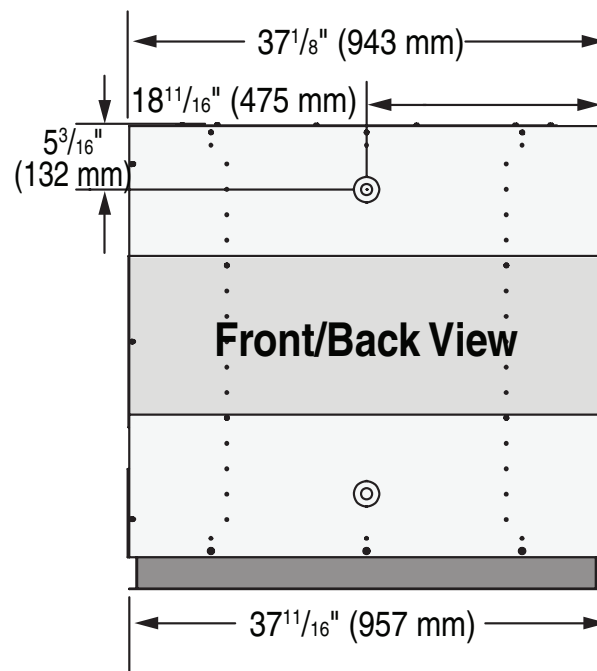
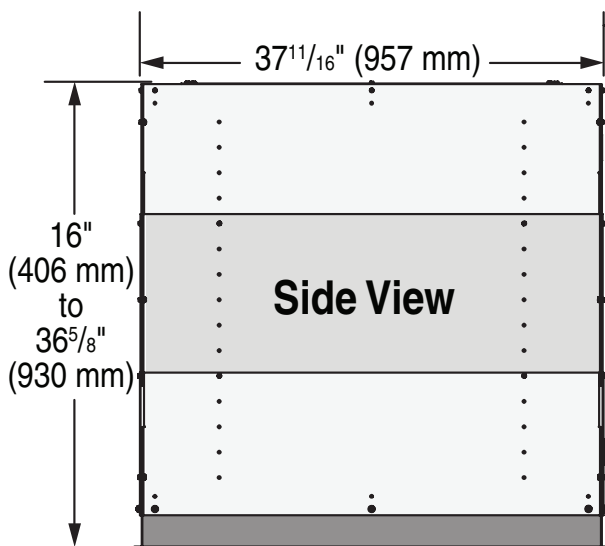
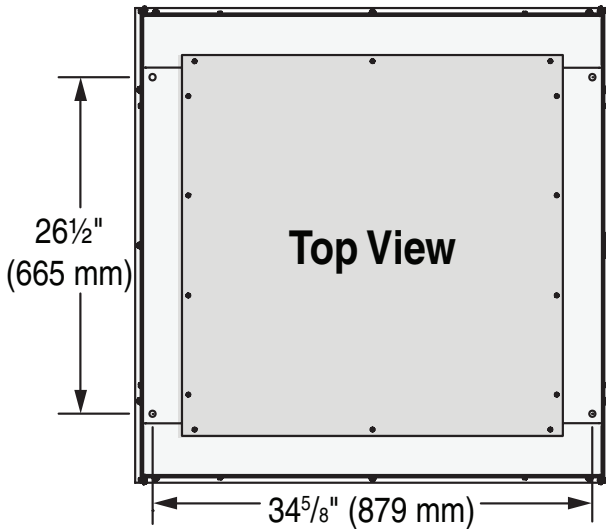
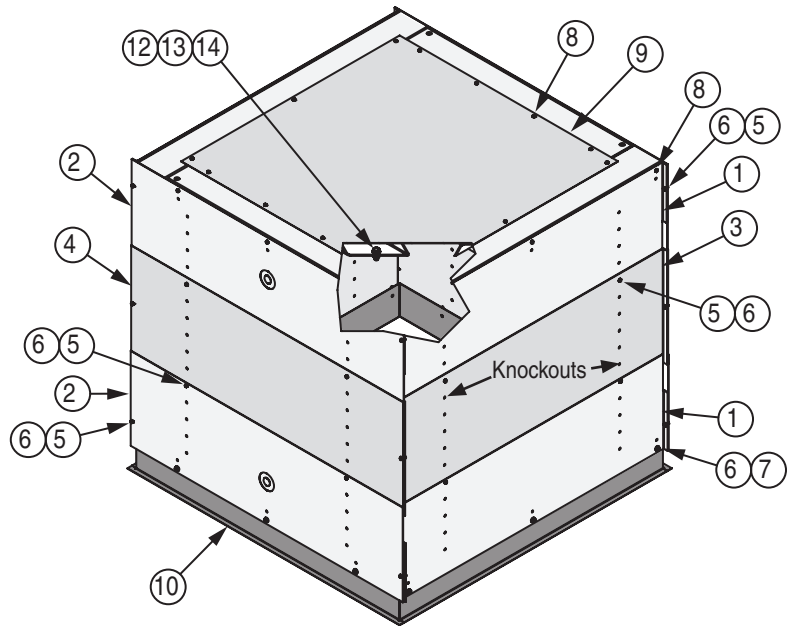


Environmental Air Space Housing "U"

Please Note: Before assembling the housing, you will need to determine which assembly holes you will use, and knock them out.

The Environmental Air Space Housing is shipped in pieces, and must be assembled by the installer. The height of the Environmental Air Space Housing is set by punching out the knockouts at the desired locations then using screws to connect side panels. It is recommended that an access panel be installed in the ceiling to allow future access. The optional environmental air space housing must be installed to isolate the lift from the "other space used for environmental air."

- ① Attach Environmental Air Space Housing top frame to top of Scissor Lift with bolts provided.
- ② Install top panel to Environmental Air Space Housing frame.
- ③ Attach assembly to overhead structure. Allow clearance between Environmental Air Space Housing top and structure for ease of future access.
- ④ Install side and end panels, and trim frame.



Item	Qty	Part Number	Description
①	4	C044.203SA	Panel, U Environmental Air Space Housing Side
②	4	C044.201SA	Panel, U Environmental Air Space Housing End
③	2	C044.202SA	Panel, U Environmental Air Space Housing Middle Side
④	2	C044.200SA	Panel, U Environmental Air Space Housing Middle End
⑤	28	C020.325	Screw, 8-32 X 3/8" Type 1 HWH
⑥	40	C018.051	Nut #8-32 Zinc Hex Keps
⑦	12	C013.070	Washer, .188" I.D. x .5" O.D. x .07" TK Nylon Flat
⑧	26	C020.112	Screw, 8-32 X 3/8" Type F HWH
⑨	1	C095.132SA	Cover, U Environmental Air Space Housing
⑩	1	C028.614.07SA	Frame, U Trim Ring
⑪	1	C028.613.01SA	Frame, U Environmental Air Space Housing
⑫	4	C018.044	Nut 3/8"-16 Zinc Hex Keps
⑬	4	C013.024	Washer, 3/8" Flat
⑭	4	C020.313	Screw 3/8"-16x1" GR 5 Zinc Hex Head Cap