

Installation Instructions

Access Door for Enclosed Ceilings by Draper

Caution

- ① Read instructions completely before proceeding.
- ② Before installing, check to make sure all parts are there.
- ③ Hardware for mounting to building structure not included. It is the responsibility of the installer to ensure hardware used is appropriate to installation requirements.
- ④ Install access panel to allow ready access to lift or mount above ceiling.
- ⑤ Do not use access panel to bear any weight other than ceiling finish materials.

Installation

- ① Cut rough opening in ceiling for access panel. Locate ceiling opening adjacent to joists or framework above ceiling.
- ② If there are no joists or existing framework to attach the access panel, installer must insure appropriate framework is in place for attachment.
- ③ Once hole is cut and framework for attachment is in place, attach access panel frame using appropriate hardware (to be determined and provided by installer) through holes provided on all four sides of access panel frame (see Fig. 1).

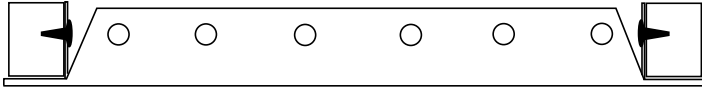


Figure 1

- ④ Bolt access panel into place.
- ⑤ Installation of door is now completed (see Fig. 2) and finish or repair work to any scratches in the immediate area may now be carried out.

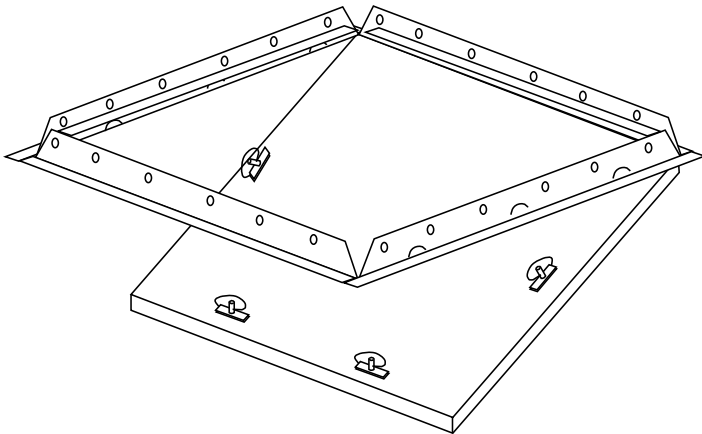


Figure 2

- ⑥ Door opens freely when unlocked. To secure door, use screwdriver to operate cam lock (see Fig. 3). The slot in the head of the cam lock stud is at right angles with the engaging door frame member when in locked position.

Please Note: You may have to "force" the cams at first, to break them loose from dried paint inside door.

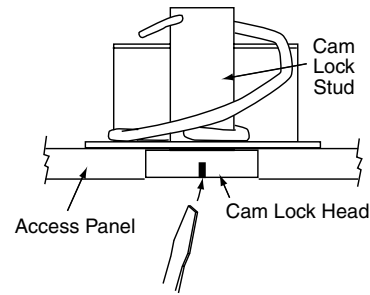


Figure 3

- ⑦ Lock door and visually inspect below to ensure proper installation. Please Note: Access panel finish is baked-on white paint; door may also be finished by ceiling contractor or paint contractor to match surrounding ceiling.

Please Note: Try to locate the Access Panel as close to recessed lifts and mounts as possible (see Fig. 4).

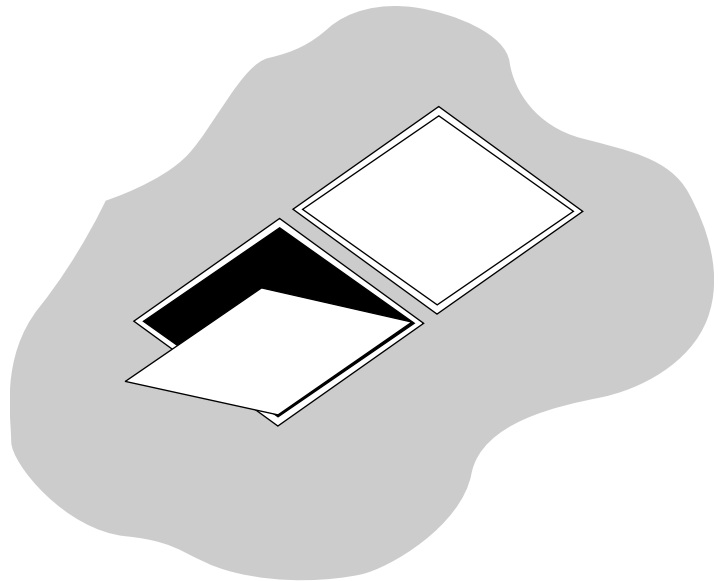
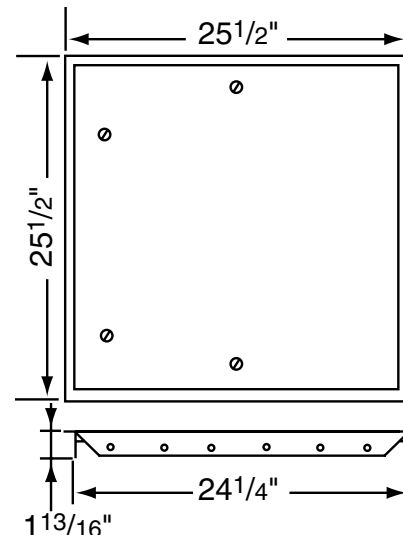


Figure 4

Dimensions



DRAPER

411 S. Pearl St., Spiceland, IN 47385 USA ■ 765-987-7999 ■ fax 765-987-7142
 e-mail draper@draperinc.com ■ www.draperinc.com

Copyright © 2004 Draper Inc. Form AccessDoor-Hard_Inst04 Printed in U.S.A.

If you encounter any difficulty installing or servicing your Access Door for Enclosed Ceilings, call your dealer or Draper, Inc., Spiceland, Indiana, (765) 987-7999; fax (765) 987-7142; or email draper@draperinc.com.