



## WAVE S9065TC - 9W

Dimmable IP44 LED downlight with selectable colour temperature

### Application

Ideal for any residential or commercial interior space

### Design Specifications

- Easy selectable colour temperature with an inbuilt DIP switch, 3000K/4000K/5700K
- Poly covered aluminium body, double insulation, IC - 4 rated
- Quality opal polycarbonate diffuser
- Integral constant current trailing edge dimmable LED driver, with flex and plug
- High efficiency SMD LED chips
- Deco ring options - Satin Nickel (S9065SN/RING), Black (S9065BK/RING)

### Performance

Dimmable - **YES**

Dimmer Type - **Trailing edge**



### Technical Specification

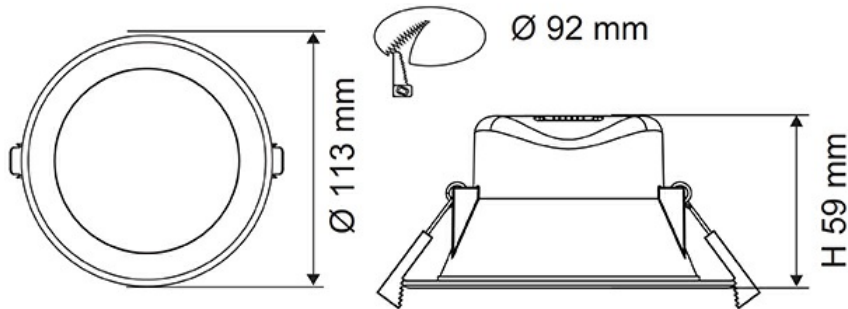
Model No.	Description	Input Voltage (V/AC)	Power (W)	Lumens (lm)	CCT (K)	Beam Angle (°)
S9065TC WH	LED D/L 9W IP44 3/4/6K WH DIM.	240	9	750/850/850	3000/4000/5700	90

Model No.	Dimmable	CRI	Body Colour	Dimensions (mm)
S9065TC WH	YES	80	WHITE	113(W) x 59(H)

Due to continued product and technology enhancements, data sourced from sal.net.au shall not form part of any contract and or technical performance guarantee unless expressly confirmed in writing by SAL at the time of order. Products are sold in accordance with [SAL Terms and Conditions of sale](#) and all images shown are for illustration purposes only and may vary from the actual colour or finish. Unless specifically stated, all IP ratings nominated for Interior products are from "below the ceiling".

## Dimensions

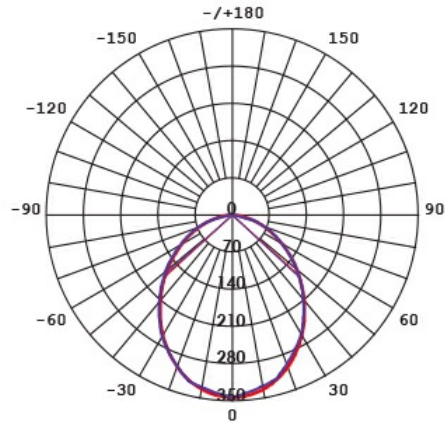
S9065



## Photometric Data

Unit: cd C0/C180 \_\_\_\_\_ C90/C270 \_\_\_\_\_

### S9065TC at 3000K



## Product Images

