



WAVE S9064TC - 7W

Dimmable IP44 LED downlight with selectable colour temperature

Application

Ideal for any residential or commercial interior space

Design Specifications

- Easy selectable colour temperature with an inbuilt DIP switch, 3000K/4000K/5700K
- Poly covered aluminium body, double insulation, IC - 4 rated
- Quality opal polycarbonate diffuser
- Integral constant current trailing edge dimmable LED driver, with flex and plug
- High efficiency SMD LED chips
- Deco ring options - Satin Nickel S9064SN/RING, Black S9064BK/RING



Performance

Dimmable - **YES**

Dimmer Type - **Trailing edge**

Technical Specification

Model No.	Description	Input Voltage (V/AC)	Power (W)	Lumens (lm)	CCT (K)	Beam Angle (°)
S9064TC WH	LED D/L 7W IP44 3/4/6K WH DIM	240	7	550/600/600	3000/4000/5700	90

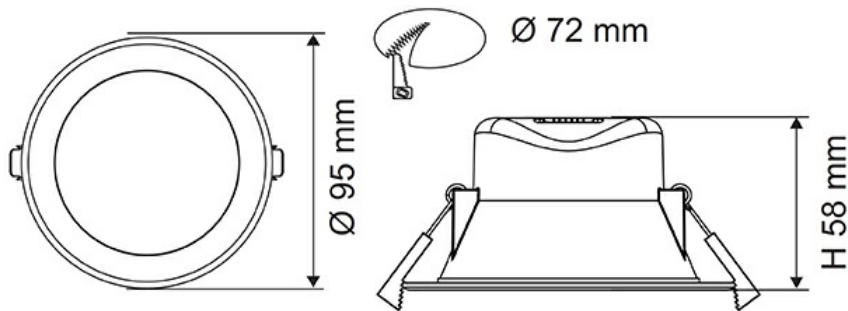
Model No.	Dimmable	CRI	Body Colour	Dimensions (mm)
S9064TC WH	YES	80	WHITE	95(W) x 58(H)

Due to continued product and technology enhancements, data sourced from sal.net.au shall not form part of any contract and or technical performance guarantee unless expressly confirmed in writing by SAL at the time of order. Products are sold in accordance with [SAL Terms and Conditions of sale](#) and all images shown are for illustration purposes only and may vary from the actual colour or finish. Unless specifically stated, all IP ratings nominated for Interior products are from "below the ceiling".



Dimensions

S9064 TC





Photometric Data

Unit: cd C0/C180 _____ C90/C270 _____

S9064TC at 3000K

