



UNITREK STR9017/10TC - 10W

Unitrek single circuit, dimmable 10 watt architectural track spot, with integral driver and selectable CCT

Application

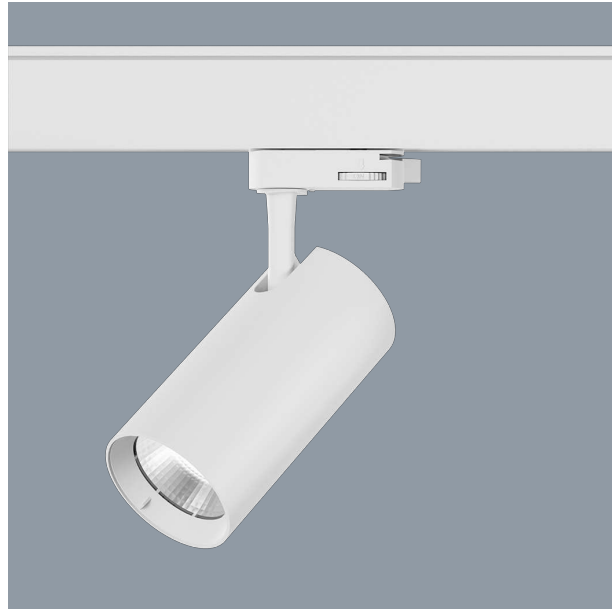
Ideal for decorative interior and retail designs

Design Specifications

- Architectural cylindrical profile
- Robust Polyamide body profile, colour matt white or black
- High efficiency LED optics, CRI > 80, selectable CCT 3000/4000/5700K
- Multifaceted reflector system, polycarbonate lens, 40 degree beam distribution.
- 10 watt integral trailing edge dimmable driver, with an ON/OFF switch function conveniently located on the track adaptor.

Performance

- Dimmable - **YES**
- Dimmer Type - **Trailing edge**



- SINGLE CIRCUIT
- IP20
- ta25
- DIMMABLE
- 2 YEAR COMMERCE WARRANTY
- 3 YEAR RESIDUAL WARRANTY
- WARM WHITE 3000K
- COOL WHITE 4000K
- DAYLIGHT 5700K

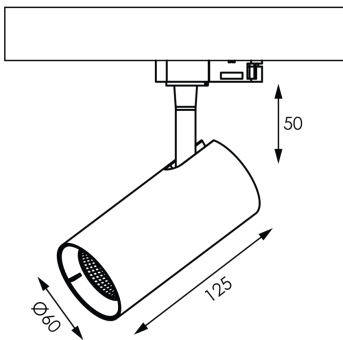
Technical Specification

Product	Model No.	Input Voltage (V/AC)	Power (W)	Lumens (lm)	CCT (K)	Body Colour
	STR9017/10TC/WH	240	10	580/700/630	3000/4000/5700	WHITE
	STR9017/10TC/BK	240	10	580/700/630	3000/4000/5700	BLACK
	STR9017/10RING/BK					BLACK RING INSERT
	STR9017/10RING/WH					WHITE RING INSERT
	STR9017/10R60P					60 DEG BEAM INSERT

CRI	Beam Angle (°)	Dimmable	Dim (mm)
80	40	YES	60(W) x 125(H)
80	40	YES	60(W) x 125(H)
	40		
	40		
	60		

Due to continued product and technology enhancements, data sourced from sal.net.au shall not form part of any contract and or technical performance guarantee unless expressly confirmed in writing by SAL at the time of order. Products are sold in accordance with [SAL Terms and Conditions of sale](#) and all images shown are for illustration purposes only and may vary from the actual colour or finish. Unless specifically stated, all IP ratings nominated for Interior products are from "below the ceiling".

Dimensions

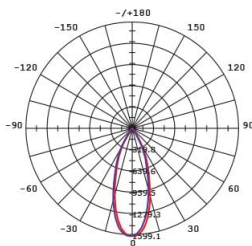


STR9017/10TC

Photometric Data

Unit: cd C0/C180 — C90/C270 —

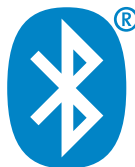
STR9017/9W/WW at 3000K



WHO NEEDS AN OLD TIMER CONTROL.

PIXIE SMART GPO IS SMARTER THAN THE REST.

MULTIFUNCTION
CONTROL



For more
information
please
scan me

