



UNITREK STR3/9017/30TC/DP - 21/30W

Unitrek three circuit, 21/30 watt architectural track spot, with integral dual power driver and selectable colour temperature

Application

Ideal for decorative interior or residential designs

Design Specifications

- Architectural cylindrical profile
- Robust Polyamide body profile, colour matt white or black
- High efficiency COB LED chip, CRI > 80, selectable colour temperature 3000/4000/5700K
- Multi-faceted reflector system, polycarbonate lens, 40 degree beam distribution
- 30W selectable power, integral, non-dimmable LED driver



-
-
-
-
-
-
-
-
-
-

Technical Specification

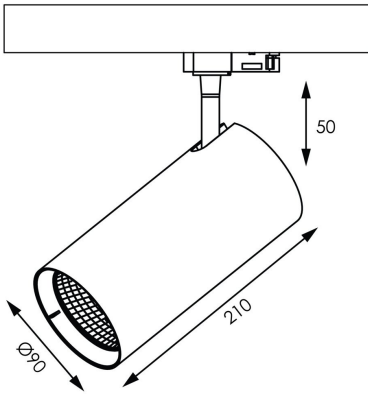
Model No.	Input Voltage (V/AC)	Lumens (lm)	CCT (K)	Body Colour	CRI	Beam Angle (°)
STR3/9017/30TC/DP/WH	240	2100/2400/2200	3000/4000/5700	WHITE	80	40
STR3/9017/30TC/DP/BK	240	2100/2400/2200	3000/4000/5700	BLACK	80	40

Model No.	Dim (mm)
STR3/9017/30TC/DP/WH	90(W) x 210(H)
STR3/9017/30TC/DP/BK	90(W) x 210(H)

NOTE: Lumens (lm) are shown at maximum power setting

Due to continued product and technology enhancements, data sourced from sal.net.au shall not form part of any contract and or technical performance guarantee unless expressly confirmed in writing by SAL at the time of order. Products are sold in accordance with SAL Terms and Conditions of sale and all images shown are for illustration purposes only and may vary from the actual colour or finish. Unless specifically stated, all IP ratings nominated for Interior products are from "below the ceiling".

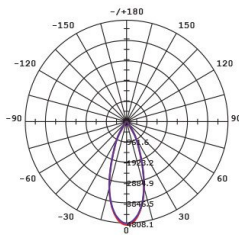
Dimensions



Photometric Data

Unit: cd C0/C180 — C90/C270 —

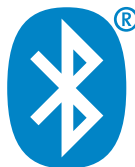
STR9017/30W/WW at 3000K



WHO NEEDS AN OLD TIMER CONTROL.

PIXIE SMART GPO IS SMARTER THAN THE REST.

MULTIFUNCTION
CONTROL



For more
information
please
scan me

