



THREE CIRCUIT TRACK COMPONENTS STR489

Universal three circuit track components, choice of white or black

Application

Track components for retail or residential architectural designs

Design Specifications

- IP20, interior use only
- Choice of black or white accessories
- Accessories: Mini joiner, Live end, Straight connector, L-Shaped connector, T-Shaped connector, Cross Shaped connector, Adjustable connector, 3 Circuit adaptors, T-Bar mounting kits, Suspension Unit with road, Suspension Unit with wire



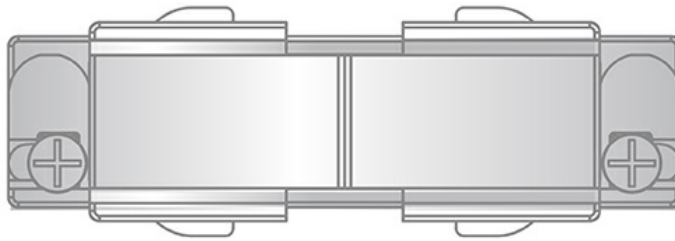
Technical Specification

Model No.	Description	Input Voltage (V/AC)
STR4891BK	3 CIRCUIT MINI JOINER BLACK K1	240
STR4891WH	3 CIRCUIT MINI JOINER WHITE K1	240
STR4892BK	3 CIRCUIT LIVE END BLACK K1	240
STR4892WH	3 CIRCUIT LIVE END WHITE K1	240
STR4893BK	3 CIRCUIT CENTRE FEED BLACK K1	240
STR4893WH	3 CIRCUIT CENTRE FEED WHITE K1	240
STR4894BK	3 CIRCUIT L CONNECTOR BLACK K1	240
STR4894WH	3 CIRCUIT L CONNECTOR WHITE K1	240
STR4895BK	3 CIRCUIT T CONNECTOR BLACK K1	240
STR4895WH	3 CIRCUIT T CONNECTOR WHITE K1	240
STR4896BK	3 CIRCUIT X CONNECTOR BLACK K1	240
STR4896WH	3 CIRCUIT X CONNECTOR WHITE K1	240
STR4897BK	3 CRT. ADJUST. CONNECTOR BLACK K1	240
STR4897WH	3 CRT. ADJUST. CONNECTOR WHITE K1	240
STR4898BK	3 CIRCUIT ADAPTOR BLACK K1	240
STR4898WH	3 CIRCUIT ADAPTOR WHITE K1	240
STR4899/1BK	3 CRT.TRACK T BAR MOUNTING BK K1	240
STR4899/1WH	3 CRT.TRACK T BAR MOUNTING WH K1	240
STR4899/2BK	3 CRT.TRACK ROD SUSPENSION BK K1	240
STR4899/2WH	3 CRT.TRACK ROD SUSPENSION WH K1	240
STR4899/3BK	3 CRT.TRACK WIRE SUSPENSION BK K1	240
STR4899/3WH	3 CRT.TRACK WIRE SUSPENSION WH K1	240

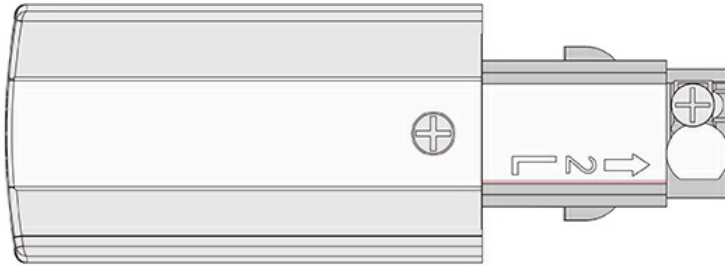
Due to continued product and technology enhancements, data sourced from sal.net.au shall not form part of any contract and or technical performance guarantee unless expressly confirmed in writing by SAL at the time of order. Products are sold in accordance with [SAL Terms and Conditions of sale](#) and all images shown are for illustration purposes only and may vary from the actual colour or finish. Unless specifically stated, all IP ratings nominated for Interior products are from "below the ceiling".

Dimensions

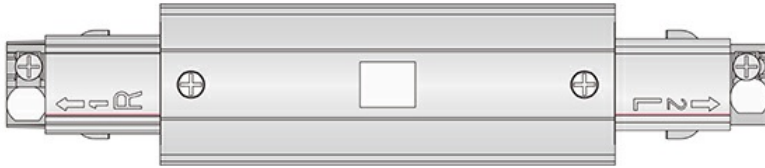
STR4891



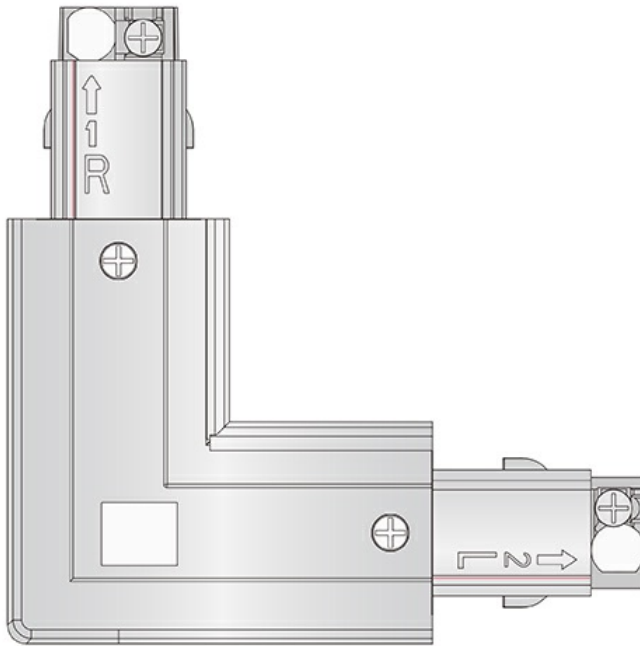
STR4892



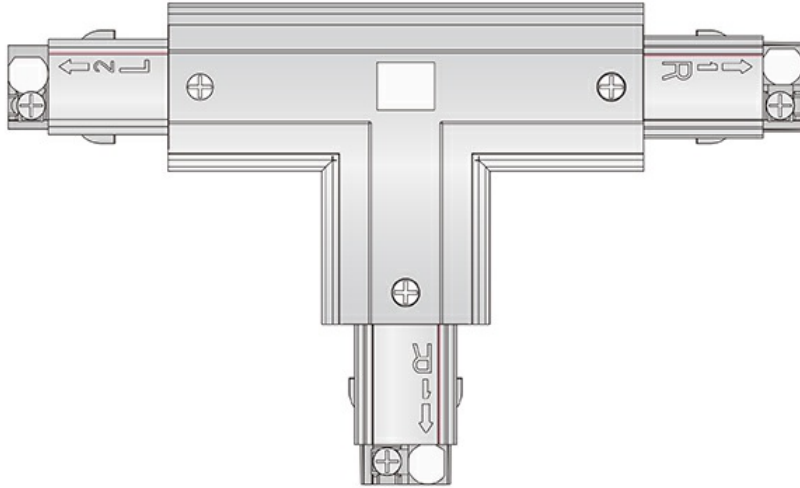
STR4893



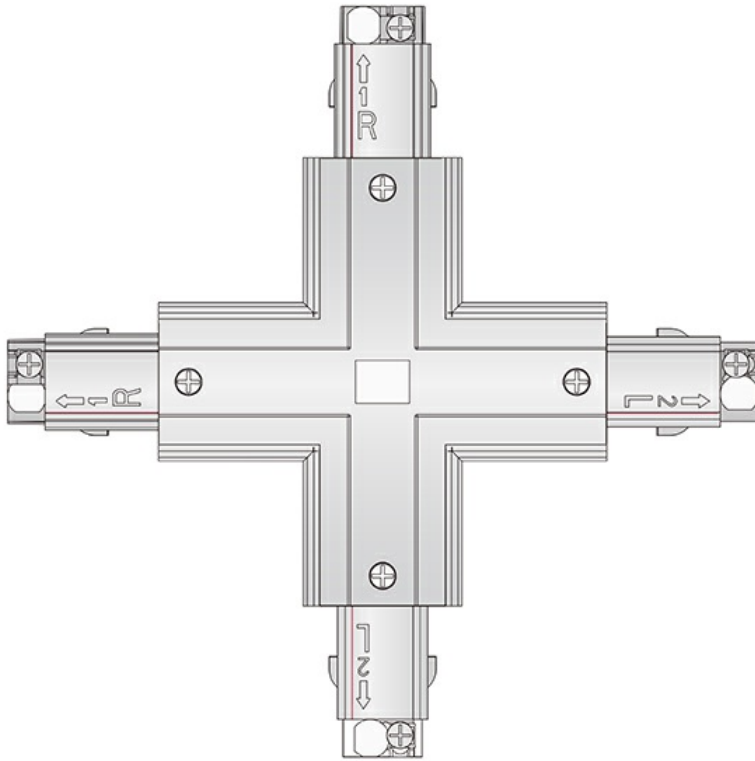
STR4894



STR4895



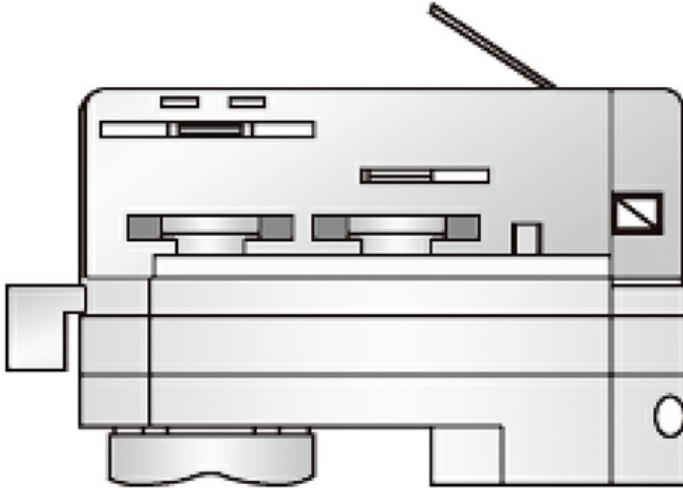
STR4896



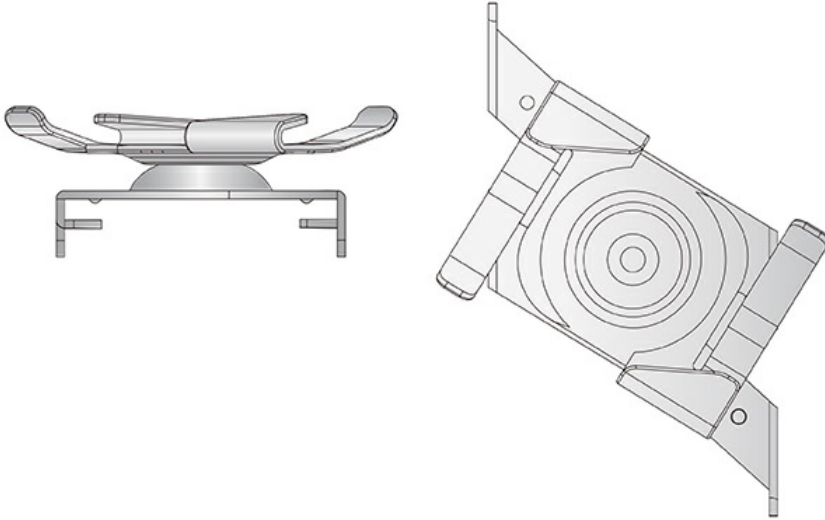
STR4897



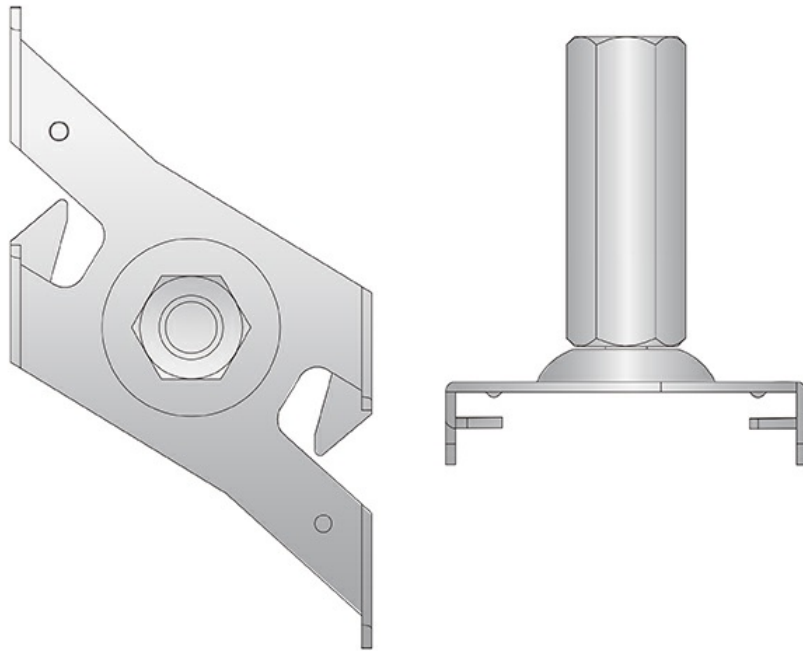
STR4898



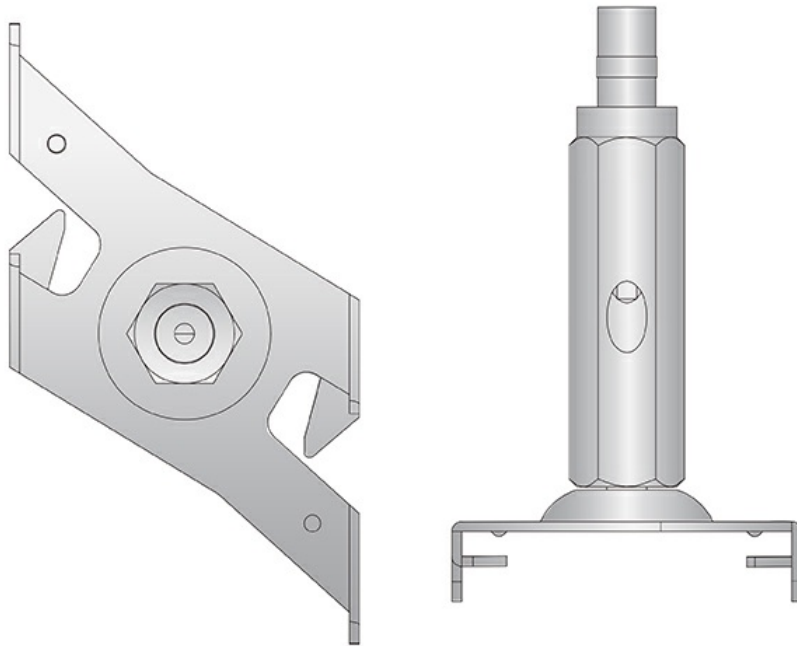
STR4899 / 1



STR4899 / 2



STR4899 / 3



Product Images



