



VECTOR 48" AC CEILING FAN

Corrosion resistance with a modern design



Wall control
Included



50W AC MOTOR	ABS BLADES	48 INCH 1220mm	9939 m ³ /hr AIRFLOW	15° CEILING RAKE MAX	20W 1000LM	4000K COLOUR TEMP	6YR WARRANTY
---------------------------	----------------------	-----------------------------	--	-----------------------------------	----------------------	--------------------------------	------------------------

20285

Vector fans are made from rust and UV resistant ABS plastic giving you endless options of where you can place them around your home. A simple modern design will compliment any space whilst giving you a great airflow.

- Durable corrosion and UV resistant body and canopy construction with high strength moulded ABS blades
- Its Ezy-Fit blade system reduces fan assembly and installation time.
- Powerful 50W AC motor
- Reversible All-Seasons technology for use all year round
- 85% pre-assembled out of the box for fast installation
- Uses our Quick Connect Plug System to reduce installation time.
- 3 speed wall control with switch included



Watch our demonstration video here

APPLICATIONS

- Bedrooms, lounge and family rooms
- Indoors or enclosed alfresco areas not exposed to the weather



20284: (WITHOUT LIGHT) MATTE WHITE



20285: (WITH LIGHT): MATTE WHITE



VECTOR 48" AC CEILING FAN

TECHNICAL SPECIFICATIONS

Size	48 inch (1220mm)
Motor Type	AC (Alternate Current)
Operating Voltage	240V / 50Hz
Motor Wattage	50W
Construction	ABS body and canopy
Blade Material	Moulded ABS (x4)
Ceiling install	Hangsure
Blade Pitch	14 degree (effective)
Ceiling Rake	15 degree max
Control	Wall 3 speed with on/off switch (included)
Light Wattage:	20W (20285 version only)
Lumens:	1000lm (20285 version only)
Colour Temperature:	4000K (20285 version only)
Dimmable:	No (20285 version only)
Warranty	3 year in-home plus 3 year replacement (6-Year) <i>*Limited warranty for wall controller, remote controller and light. Refer to warranty card inside the box for more details.</i>
Standards:	
Patent:	2018201157 (pending)

INSTALLATION

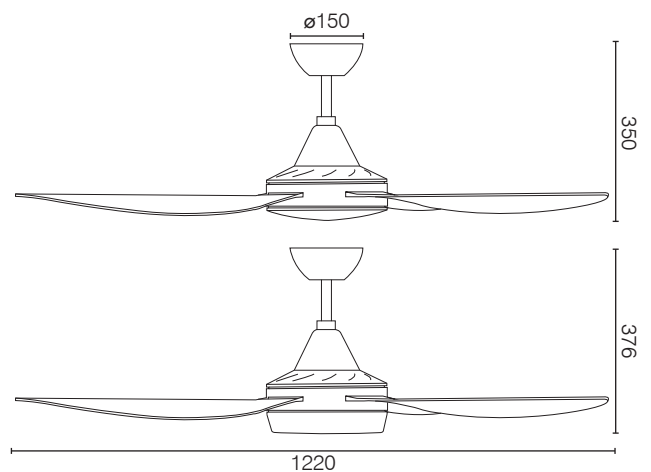
Must be installed by a licensed electrician



ACCESSORIES (sold separately)

Extension Rod with loom kits, 900mm x Ø21mm:	20252/05 matt white
Remote Kits	99999 Basic 99222 LCD Display 99111 Smart WiFi

AIR MOVEMENT:

SPEED	LOW	MED	HIGH
RPM	114	161	224
Power	15W	26W	50W
Airflow	4,645m ³ /h	6,776m ³ /h	9,939m ³ /h



	MODEL	COLOUR	DESCRIPTION	BOX SIZE	GROSS WEIGHT	BOX QTY	BARCODE/TUN
RETAIL BOX	20285/05	Matte White	Vector 48in. AC Ceiling Fan and Light	W591 x H318 x D286 mm	6.3 kg	1 pc	 9 312641 202851 >
RETAIL BOX	20284/05	Matte White	Vector 48in. AC Ceiling Fan	W591 x H318 x D286 mm	6.3 kg	1 pc	 9 312641 202844 >