



## SUSPENSION DROPS

Multi-function LED panel, weatherproof and linear extrusion suspension drops

### Application

Panel, weatherproof and linear extrusion accessories for retail, residential and commercial applications

### Design Specifications

- M10 size ceiling attachment
- 1.2 mm stainless steel wire, maximum load per drop is 15kg
- M10 size griplock system
- NOTE: SSI and SSI codes represent one (1) wire drop only. Four (4) per panel are required for SSI and two (2) for SSI products
- NOTE: suspension brackets and suspension drops MUST be ordered separately

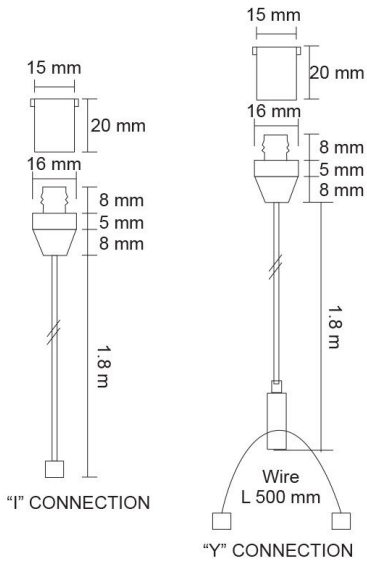


### Technical Specification

Model No.	Body Colour	Dim (mm)
S9754SP6	SUSPENSION BRACKET FOR S9754 ONLY PACK OF 6	
S97X4SP4	SUSPENSION BRACKET PACK OF 4	
SSI1512	"I" SUSPENSION DROP STAINLESS STEEL	1800(L)
SSY1512	"Y" SUSPENSION DROP STAINLESS STEEL	1800(L)

Due to continued product and technology enhancements, data sourced from sal.net.au shall not form part of any contract and or technical performance guarantee unless expressly confirmed in writing by SAL at the time of order. Products are sold in accordance with [SAL Terms and Conditions of sale](#) and all images shown are for illustration purposes only and may vary from the actual colour or finish. Unless specifically stated, all IP ratings nominated for Interior products are from "below the ceiling".

## Dimensions





LED downlights, oysters, linear battens and profiles,  
track lights, strip lights, interior architectural, highbays,  
lamps, emergency, floodlights, exterior architectural,  
weatherproof, bulkheads, sensors, electrical accessories,  
smart lighting controls, drivers

For more  
information  
please  
scan me

