



SURFACE MOUNTED FRAME S-FM

LED panel installation type S-FM surface mounted frame

Application

Designed for commercial interior office spaces

Design Specifications

- Pressed steel base
- Quality powder coated finish
- Accommodates ESS101 quick connect surface mount socket
- For S312FM and S606FM add the suffix **/P** or **/P2** to the order code, for kit form assemblies supplied ready for easy assembly on site.

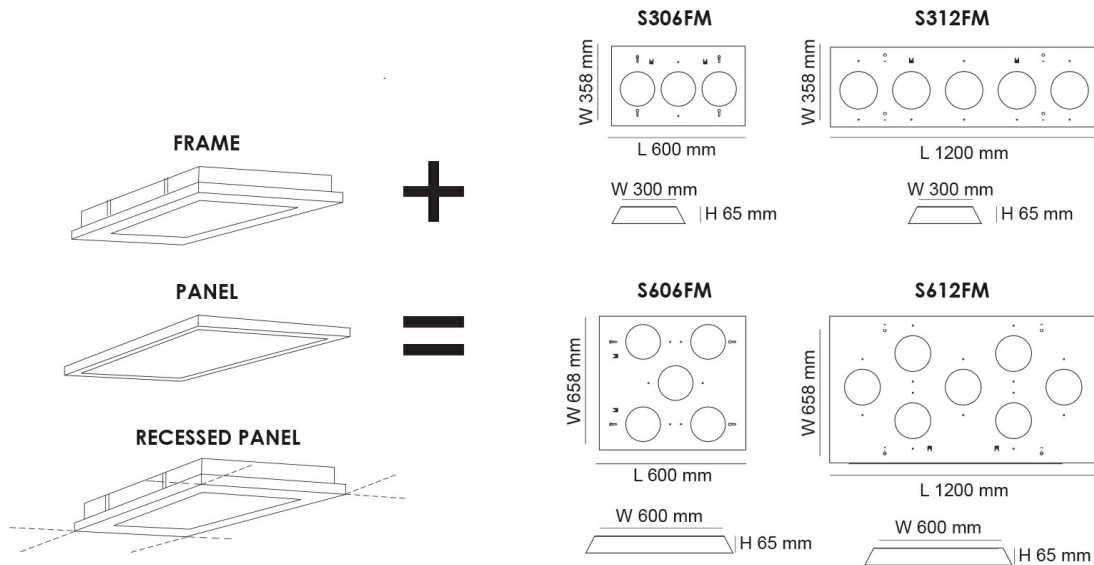


Technical Specification

Model No.	Description	Body Colour	Dimensions (mm)
S306FM	SURFACE MOUNTED FRAME 306 SIZE	WHITE	600(L) x 358(W) x 65(H)
S312FM	SURFACE MOUNTED FRAME 312 SIZE	WHITE	1200(L) x 358(W) x 65(H)
S312FM/P2	SURFACE MOUNTED FRAME 312 SIZE - KIT FORM	WHITE	1200(L) x 358(W) x 65(H)
S606FM	SURFACE MOUNTED FRAME 606 SIZE	WHITE	600(L) x 658(W) x 65(H)
S606FM/P	SURFACE MOUNTED FRAME 606 SIZE KIT FORM	WHITE	600(L) x 658(W) x 65(H)
S606FM/P2	SURFACE MOUNTED FRAME 606 SIZE KIT FORM	WHITE	600(L) x 658(W) x 65(H)
S612FM	SURFACE MOUNTED FRAME 612 SIZE	WHITE	1200(L) x 658(W) x 65(H)

Due to continued product and technology enhancements, data sourced from sal.net.au shall not form part of any contract and or technical performance guarantee unless expressly confirmed in writing by SAL at the time of order. Products are sold in accordance with [SAL Terms and Conditions of sale](#) and all images shown are for illustration purposes only and may vary from the actual colour or finish. Unless specifically stated, all IP ratings nominated for Interior products are from "below the ceiling".

Dimensions



Product Images

