



STARLIGHT WITH SENSOR SPSK2000TC - 2 X 12W

2 x 12 watt IP54 LED floodlight with selectable CCT lamps and PIR sensor

Application

An economical security solution for residential exterior spaces, requiring sensor control

Design Specifications

- Independently adjustable heads
- UV stabilized plastic body
- E27 lamp base, selectable CCT PAR38 LED lamp/s included
- Beam distribution 100° per lamp
- IP54, double insulated
- Integral infrared motion sensor with override function, installation height 1.5 - 3.5m



Performance

- Dimmable - **NO**
- In Built Sensor - **YES**
- Sensor Type - **IR**



Technical Specification

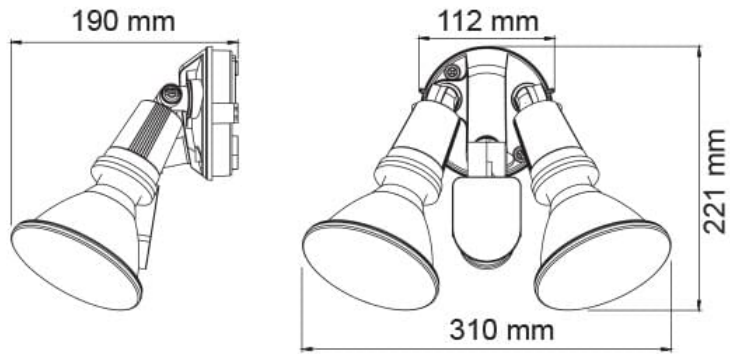
Product	Model No.	Input Voltage (V/AC)	Power (W)	Lumens (lm)	CCT (K)	CRI
	SPSK2000TC/BK	240	24	3000/3400/3000	3000/4000/6000	80
Beam Angle (°)	Body Colour	Dim (mm)		VEET		
100	BLACK	310(W) x 221(H) x 190(D)		N/A		

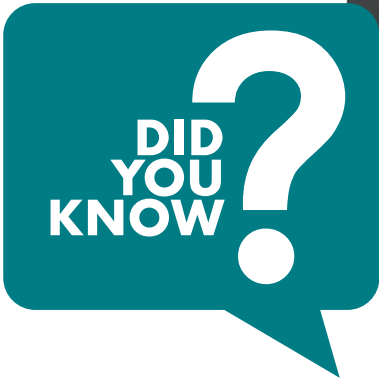
* Lumens and Power shown are TOTAL luminaire Lumens (lm) and power (W).

Due to continued product and technology enhancements, data sourced from sal.net.au shall not form part of any contract and or technical performance guarantee unless expressly confirmed in writing by SAL at the time of order. Products are sold in accordance with [SAL Terms and Conditions of sale](#) and all images shown are for illustration purposes only and may vary from the actual colour or finish. Unless specifically stated, all IP ratings nominated for Interior products are from "below the ceiling".

Dimensions

SPSK2000 DL BK





Before selecting a floodlight look out for the marks of Compliance and Safety. Starting with the RCM mark, this signals that the product has been tested to all relevant Australian Safety standards to ensure the product delivers its designed safety performance.

In addition, look out for limits in aiming orientation to ensure the floodlight operates within its design limits and the product is suitable for such an application.

