



## STAR SPOT S9361 - 4W

Compact design LED 4 watt downlight

### Application

Ideal for any residential feature lighting or commercial interior spaces

### Design Specifications

- 42mm diameter trim face, low profile design, 35mm cut-out
- Available in Satin Nickel or White finish
- Durable aluminium body profile
- CCT 4000K, 250 lumens
- High output COB LED chip design, 40 degree beam distribution
- Available with non-dimmable (4 watt system) remote driver with flex and plug or 12V DC head assembly only



### Technical Specification

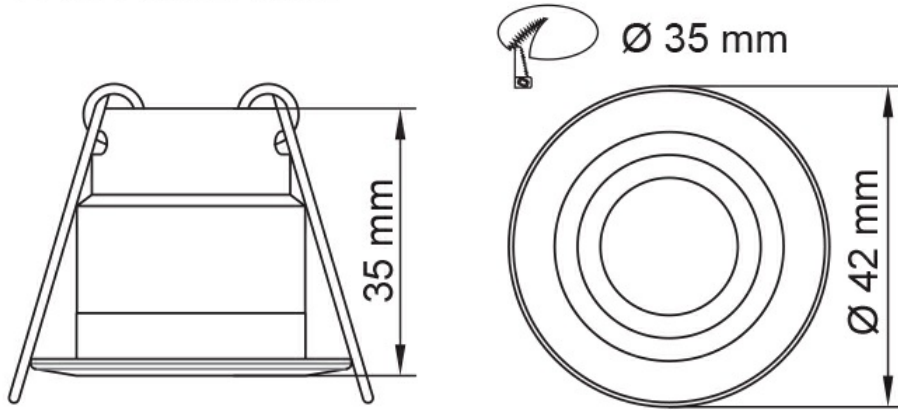
Model No.	Description	Input Voltage (V/AC)	Input Voltage (V/DC)	Power (W)	Lumens (lm)	CCT (K)
S9361CW/SN	LED D/LIGHT 4W IP20 4K SATIN NICKEL	240		4	250	4000
S9361CW/WH	LED D/LIGHT 4W IP20 4K WHITE	240		4	250	4000
S9361CW/SN/ND	LED D/LIGHT 4W IP20 4K SATIN NICKEL NO DRIVER		12	3	250	4000
S9361CW/WH/ND	LED D/LIGHT 4W IP20 4K WHITE NO DRIVER		12	3	250	4000

Model No.	Beam Angle (°)	Dimmable	CRI	Body Colour	Dimensions (mm)
S9361CW/SN	40	NO	80	SATIN NICKEL	42(W) x 35(H)
S9361CW/WH	40	NO	80	WHITE	42(W) x 35(H)
S9361CW/SN/ND	40	NO	80	SATIN NICKEL	42(W) x 35(H)
S9361CW/WH/ND	40	NO	80	WHITE	42(W) x 35(H)

Due to continued product and technology enhancements, data sourced from sal.net.au shall not form part of any contract and or technical performance guarantee unless expressly confirmed in writing by SAL at the time of order. Products are sold in accordance with [SAL Terms and Conditions of sale](#) and all images shown are for illustration purposes only and may vary from the actual colour or finish. Unless specifically stated, all IP ratings nominated for Interior products are from "below the ceiling".

## Dimensions

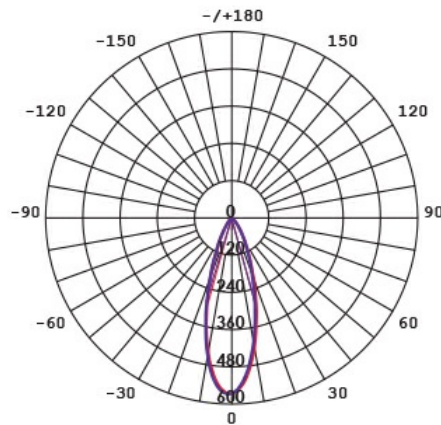
### Dimensions



## Photometric Data

Unit: cd C0/C180 \_\_\_\_\_ C90/C270 \_\_\_\_\_

### S9361CW at 4000K





## Product Images

---

